



TH	THAILAND
----	----------

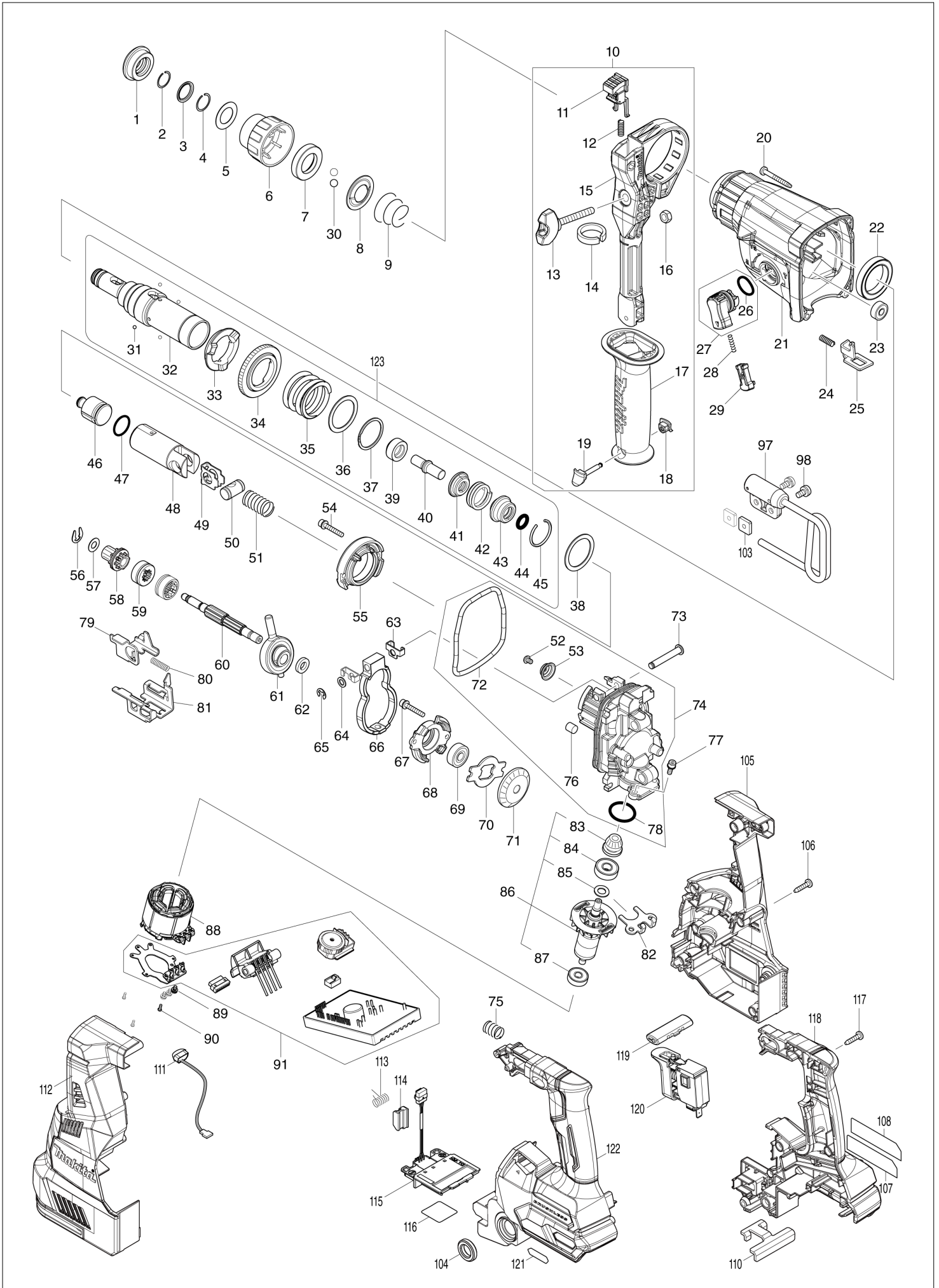
Diagram / Parts List

HR003G

28MM CRDLS COMBINATION HAMMER



(TH) HR003G / 28MM CRDLS COMBINATION HAMMER



TH	THAILAND
----	----------

HR003G / 28MM CRDLS COMBINATION HAMMER

Item	Sub	Parts No.	Parts Description	Qty	I/C	E/C No.	Close No.	Remark
001		286288-8	CAP 35	1				
002		233989-9	RING SPRING 14	1				
003		346834-0	WASHER 16	1				
004		233992-0	RING SPRING 15	1				
005		267114-0	FLAT WASHER 17	1				
006		455393-4	CHUCK COVER	1				
007		325813-1	RING 21	1				
008		346177-0	GUIDE WASHER	1				
009		233916-6	CONICAL COMP. SPRING 21-29	1				
010		126882-3	GRIP ASSEMBLY	1				
	D10		INC. 11-19					
011		144959-2	LOCK BUTTON COMPLETE	1				
012		233360-7	COMPRESSION SPRING 4	1				
013		265625-9	THUMB SCREW M6X50	1				
014		422258-5	SPONGE SHEET	1				
015		458355-1	SIDE HANDLE BASE	1				
016		931302-2	HEX. NUT M6	1				
017		458357-7	GRIP 36	1				
018		422255-1	CAP	1				
019		161838-9	FIX PIN	1				
020		266351-3	TAPPING SCREW 4X35	4				
021		144965-7	GEAR HOUSING COMPLETE	1				
	C10	213345-9	OIL SEAL 25	1				
	C20	331890-3	CUP SLEEVE	1				
022		211294-4	BALL BEARING 6806LLU	1				
023		211012-0	BALL BEARING 606ZZ	1				
024		233360-7	COMPRESSION SPRING 4	1				
025		347228-2	LOCK PLATE	1				
026		213278-8	O RING 17	1				
027		135961-6	CHANGE LEVER ASSY	1				
	D10		INC. 26					
028		234264-6	COMPRESSION SPRING 3	1				
029		457709-9	LOCK BUTTON	1				
030		216022-2	STEEL BALL 7.0	2				
031		216019-1	STEEL BALL 3	4				
032		142972-4	TOOL HOLDER COMPLETE	1				
	C10	213344-1	OIL SEAL 9	1				
033		332139-4	DRIVING FLANGE	1				
034		227360-7	SPUR GEAR 51	1				
035		234148-8	COMPRESSION SPRING 31	1				
036		267153-0	FLAT WASHER 30	1				
037		257932-4	SPIRO LOCK WASHER 30	1				
038		267153-0	FLAT WASHER 30	1				
039		325783-4	SLEEVE 9B	1				
040		325789-2	IMPACT BOLT A	1				
041		325792-3	WASHER 10	1				
042		234149-6	COMPRESSION SPRING 20	1				
043		325793-1	O-RING CASE B	1				
044		213073-6	O RING 9	1				
045		233979-2	RING SPRING 28	1				
046		325784-2	STRIKER	1				
047		213258-4	O RING 17.5	1				
048		327079-9	PISTON CYLINDER	1				
049		346036-8	GUIDE PLATE	1				
050		324215-8	PISTON JOINT	1				
051		232449-8	COMPRESSION SPRING 14	1				
052		265A87-7	TORX SOCKET BUTTON BOLT M4X8	1				
053		347344-0	SPRING GUIDE	1				
054		922148-7	HEX. SOCKET HEAD BOLT M4X25	2				
055		144960-7	INNER SUPPORT COMPLETE	1				
056		257336-0	STOP RING EXT U-6	1				
057		253186-1	FLAT WASHER 7	1				
058		226170-9	SPUR GEAR 10	1				
059		332125-5	CLUTCH CAM	2				
060		327078-1	CAM SHAFT	1				

B:HR003GM201(H)

Interchange
O : Yes
X : No
< : the new part can be substituted for the current.
> : the current part can be substituted for the new.
S : Interchangeable as a set.

TH	THAILAND
----	----------

HR003G / 28MM CRDLS COMBINATION HAMMER

Item	Sub	Parts No.	Parts Description	Qty	I/C	E/C No.	Close No.	Remark
061		219030-2	SWASH BEARING 10	1				
062		257321-3	RING 8	1				
063		346538-4	WEIGHT HOLDER GUIDE	2				
064		253077-6	FLAT WASHER 6	1				
065		961018-5	STOP RING E-5	1				
066		310869-7	COUNTER WEIGHT	1				
067		922148-7	HEX. SOCKET HEAD BOLT M4X25	2				
068		319674-9	BEARING BOX	1				
069		211032-4	BALL BEARING 608ZZ	1				
070		347343-2	BEARING RETAINER B	1				
071		221599-4	SPIRAL BEVEL GEAR 32	1				
072		213850-6	O-RING 74	1				
073		256536-9	FLAT FILLISTER HD PIN 6	1				
074		136194-6	INNER HOUSING ASS'Y	1				
	D10		INC. 52,53,72,76,78					
075		232436-7	COMPRESSION SPRING 10	1				
076		443153-6	FELT	1				
077		922118-6	HEX. SOCKET HEAD BOLT M4X12	2				
078		213008-7	O RING 22.4	1				
079		347230-5	CHANGE PLATE B	1				
080		234343-0	COMPRESSION SPRING 5	1				
081		347229-0	CHANGE PLATE A	1				
082		346536-8	BEARING RETAINER A	1				
083		144964-9	SPIRAL BEVEL GEAR 11 COMPLETE	1				
084		210024-0	BALL BEARING 608LLU	1				
085		253835-0	FLAT WASHER 8	1				
086		519513-5	ROTOR ASSY	1				
	D10		INC. 83-85,87					
087		210022-4	BALL BEARING 626DDW	1				
088		629454-8	STATOR	1				
089		652069-6	FLAT HEAD SCREW M3X6	3				
090		266490-9	TAPPING SCREW PT 2X6	3				
091		620B99-7	CONTROLLER	1				
097		127344-4	HOOK ASS'Y	1			DC491	
097-1		122B76-0	HOOK ASSEMBLY	1	<	DC491		
098		911211-1	PAN HEAD SCREW M5X12	2				
103		264002-2	SQUARE NUT M5	2				
104		459184-5	CUSHION RING 12	2				
105		183N56-3	HOUSING SET	1				
	D10		INC. 112					
106		266326-2	TAPPING SCREW 4X18	8				
107		856N55-5	HR003G NAME PLATE	1				
108		8008C4-9	CLEAR LABEL	1				
110		346039-2	SUPPORT PLATE	1				
111		620549-0	LED CIRCUIT	1				
112		183N56-3	HOUSING SET	1				
	D10		INC. 105					
113		233598-4	TORSION SPRING 6	1				
114		313226-8	OPENER	1				
115		632P64-8	TERMINAL UNIT	1				
116		856N60-2	HR003G SERIAL NO. LABEL	1				
117		266326-2	TAPPING SCREW 4X18	7				
118		183N53-9	HANDLE SET	1				
	C10	263005-3	RUBBER PIN 6	2				
	D10		INC. 122					
119		453124-5	F/R CHANGE LEVER	1				
120		651439-6	SWITCH C3JR-4B-2	1				
121		8005T5-8	XGT LOGO LABEL	1				
122		183N53-9	HANDLE SET	1				
	C10	263005-3	RUBBER PIN 6	2				
	D10		INC. 118					
123		135966-6	TOOL HOLDER ASSY	1				
	D10		INC. 31-37,39-45					
A01		331886-4	DEPTH GAUGE	1				
A02		194683-7	GREASE VESSEL SET	1				

B:HR003GM201(H)

Interchange
O : Yes
X : No
< : the new part can be substituted for the current.
> : the current part can be substituted for the new.
S : Interchangeable as a set.

