



TH	THAILAND
----	----------

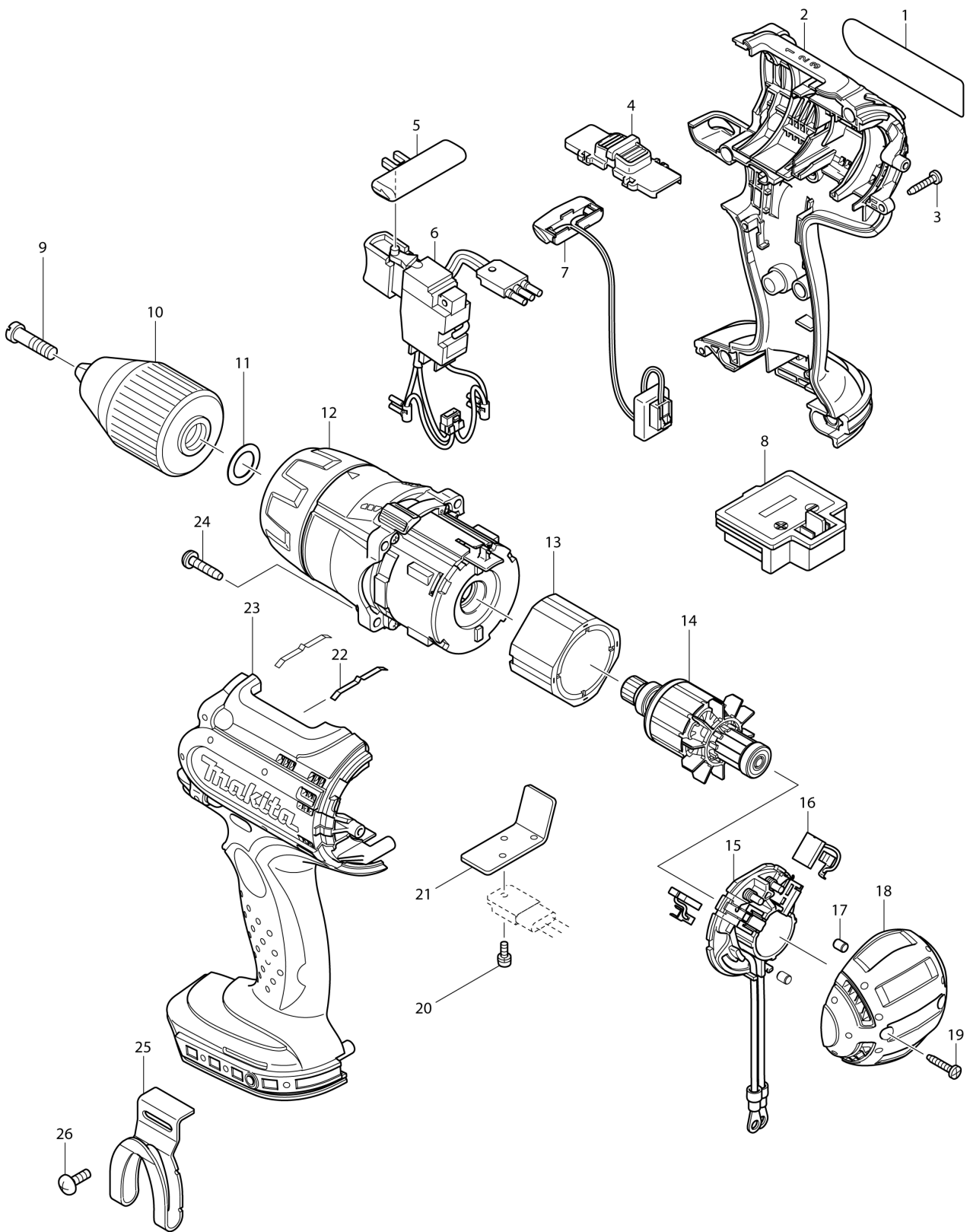
Diagram / Parts List

DDF451

CORDLESS DRIVER DRILL 13MM



(TH) DDF451 / CORDLESS DRIVER DRILL 13MM



TH	THAILAND
-----------	-----------------

DDF451 / CORDLESS DRIVER DRILL 13MM

Item	Sub	Parts No.	Parts Description	Qty	I/C	E/C No.	Close No.	Remark
001		815C61-3	DDF451 NAME PLATE	1				
002		187142-8	HOUSING SET	1			B6010	
	D10		INC. 23				B6010	
002-1		183G51-1	HOUSING SET	1	<	B6010		
	C10	263005-3	RUBBER PIN 6	2		B6010		
	D10		INC. 23			B6010		
003		266130-9	TAPPING SCREW BIND PT 3X16	8				
004		125435-5	SPEED CHANGE LEVER ASS'Y	1				
	C10	233438-6	COMPRESSION SPRING 4	2				
005		419250-0	F/R CHANGE LEVER	1				
006		650653-1	SWITCH TG553FSB-4B	1				
007		631692-0	LIGHT CIRCUIT	1				
008		644808-8	TERMINAL	1				
009		251468-5	- FLAT HEAD SCREW M6X22	1				
010		763196-5	KEYLESS DRILL CHUCK 13	1				
011		253798-0	FLAT WASHER 13	1				
012		125433-9	GEAR ASS'Y	1				
	C10	419558-2	SPEED CHANGE RING	1				
	C20	268199-9	PIN 1.4	2				
	C30	450385-8	CHANGE LEVER	1				
013		638425-4	YOKE UNIT	1			B5029	
013-1		632J71-5	YOKE UNIT	1	<	B5029		
014		619165-3	ARMATURE	1				
015		638431-9	BRUSH HOLDER COMPLETE	1				
	C10	231696-8	TORSION SPRING R	1				
	C20	231697-6	TORSION SPRING L	1				
016		195021-6	CARBON BRUSH SET CB-440	1				
017		263032-0	RUBBER PIN 4	2				
018		419642-3	REAR COVER	1				
019		266130-9	TAPPING SCREW BIND PT 3X16	2				
020		911006-2	PAN HEAD SCREW M3X8	1			D0293	
020-1		652066-2	+PAN HEAD SCREW M3X9 WITH W	1	<	D0293		
021		689145-3	HEATSINK	1				
022		232220-0	LEAF SPRING	2				
023		187142-8	HOUSING SET	1			B6010	
	D10		INC. 2				B6010	
023-1		183G51-1	HOUSING SET	1	<	B6010		
	C10	263005-3	RUBBER PIN 6	2		B6010		
	D10		INC. 2			B6010		
024		266045-0	TAPPING SCREW 4X20	4				
025		346317-0	HOOK	1				
026		251314-2	+ SCREW M4X12	1				
A01		123167-8	GRIP ASSEMBLY	1			A3342	
	C10	154835-2	GRIP36 COMPLETE	1			A3342	
	C20	266724-0	SQUARE BOLT M8X75	1			A3342	
	C30	345463-6	GRIP SPRING 60	1			A3342	
	C40	453037-0	GRIP BASE 60	1			A3342	
A01-1		123254-3	GRIP ASSEMBLY	1	<	A3342		
	C10	154935-8	GRIP 36 COMPLETE	1		A3342		
	C20	266750-9	SQUARE BOLT M8X100	1		A3342		
	C30	345463-6	GRIP SPRING 60	1		A3342		
	C40	453584-1	GRIP BASE 60	1		A3342		
A02		251314-2	+ SCREW M4X12	1				
A03		452947-8	BIT HOLDER	1				
A04		784637-8	+/- BIT 2-45	2				
A05B		140354-4	PLASTIC CASE COMPLETE	1				
	C10	419216-0	HANDLE	1				
	C20	417724-5	LATCH	2				
	C30	419268-1	PLASTIC CASE LID	1				
	C40	419269-9	PLATE	5				
	C50	324667-3	SHAFT	1				
A06B		450128-8	BATTERY COVER	1				
A07B		***DC18RC	DC18RC FAST CHARGER	1				
A08B		196015-4	BATTERY BL1830 SET	2			A5588	
A08-1B		196015-4	BATTERY BL1830 SET	2	O	A5588	B2535	

B:DDF451RFE(H)

Interchange

O : Yes

X : No

< : the new part can be substituted for the current.

> : the current part can be substituted for the new.

S : Interchangeable as a set.

