



TH	THAILAND
----	----------

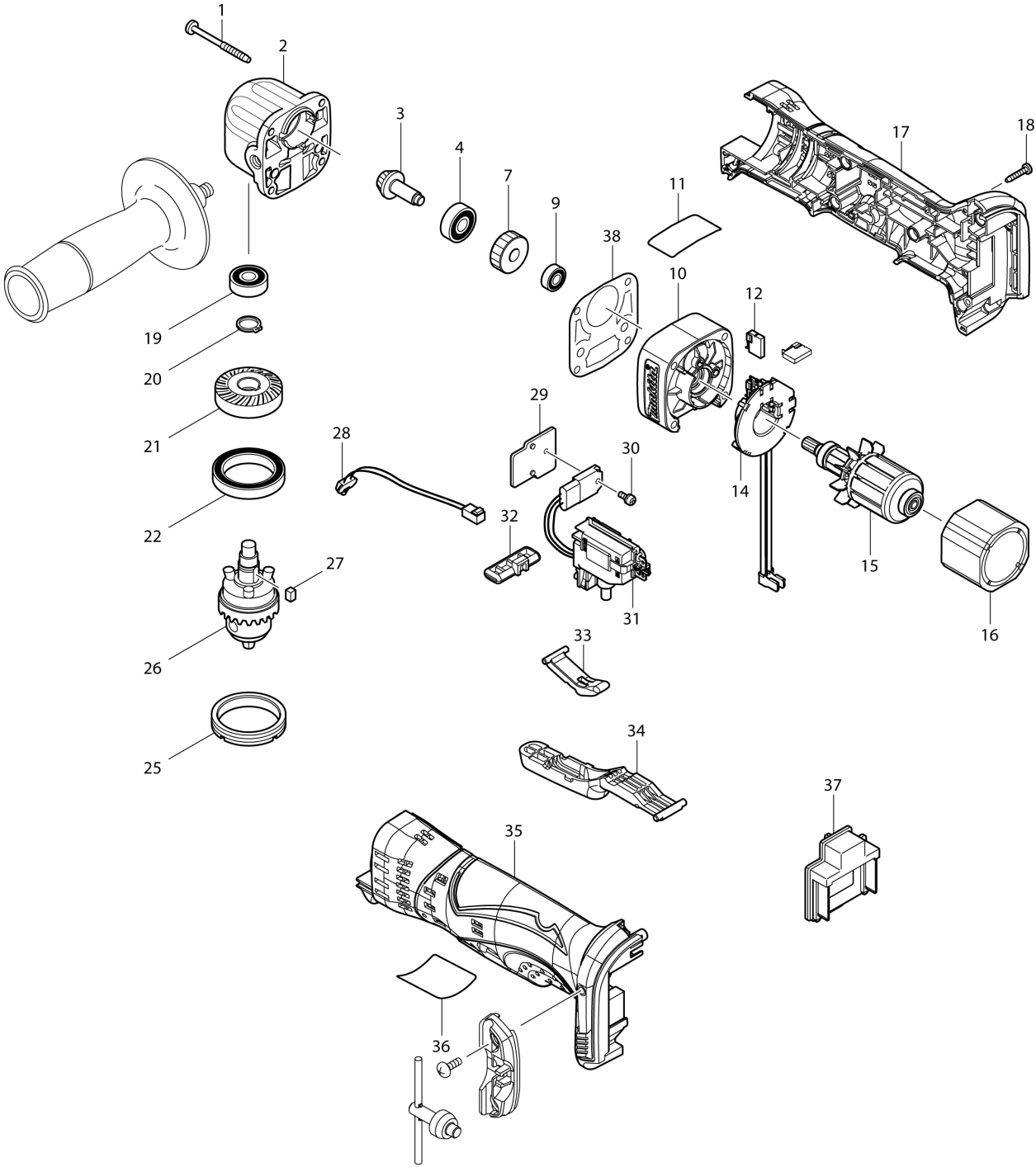
Diagram / Parts List

DDA350

CORDLESS ANGLE DRILL 10MM



(TH) DDA350 / CORDLESS ANGLE DRILL 10MM



TH	THAILAND
-----------	-----------------

DDA350 / CORDLESS ANGLE DRILL 10MM

Item	Sub	Parts No.	Parts Description	Qty	I/C	E/C No.	Close No.	Remark
001		266069-6	TAPPING SCREW 4X45	4				
002		317635-3	GEAR HOUSING	1				
003		227436-0	SPIRAL BEVEL GEAR 9	1				
004		210029-0	BALL BEARING 608ZZ	1				
007		227230-0	SPUR GEAR 29	1				
009		210033-9	BALL BEARING 696ZZ	1				
010		450607-6	GEAR HOUSING COVER	1				
012A		195021-6	CARBON BRUSH SET CB-440	1				
012B		195021-6	CARBON BRUSH SET CB-440	1				
012-1C		195021-6	CARBON BRUSH SET CB-440	1				
014		539189-2	BRUSH HOLDER ASSY	1				
	D10		INC. 12					
015		619234-0	ARMATURE	1			D2339	
015-1		619234-0	ARMATURE	1	O	D2339		
016		638613-3	YOKE UNIT	1				
017		187130-5	HOUSING SET	1				
	D10		INC. 35					
018		266130-9	TAPPING SCREW BIND PT 3X16	5				
019		210029-0	BALL BEARING 608ZZ	1				
020		961052-5	RETAINING RING S-12	1				
021		227536-6	SPIRAL BEVEL GEAR 26	1				
022		211423-9	BALL BEARING 6806DDW	1				
025		285842-5	BEARING RETAINER 36-43	1				
026		763174-5	DRILL CHUCK S10	1				
027		254201-4	KEY 4	1				
028		631814-2	LED CIRCUIT	1				
029		689098-6	HEAT SINK	1				
030		911006-2	PAN HEAD SCREW M3X8	1				
031		632B91-1	SWITCH UNIT	1				
032		450610-7	F/R CHANGE LEVER	1				
033		450609-2	LINK	1				
034		450608-4	SWITCH LAVER	1				
035		187130-5	HOUSING SET	1				
	D10		INC. 17					
036		815P22-1	DDA350 NAME PLATE	1				
037		644808-8	TERMINAL	1				
038		418036-9	GASKET	1				
A01		153489-2	GRIP 36 COMPLETE	1				
A02		251314-2	+ SCREW M4X12	1				
A03		450688-0	KEY HOLDER	1				
A04		763415-9	CHUCK KEY S10	1				
A05A		***DC18RC	DC18RC FAST CHARGER	1				
A05B		***DC18RC	DC18RC FAST CHARGER	1				
A06-1A		196400-1	BATTERY BL1840 SET	2			A9784	
A06-1B		196015-4	BATTERY BL1830 SET	2			B2535	
A06-2A		197265-4	BATTERY BL1840B SET	2	<	A9784	C5218	
A06-2B		197600-6	BATTERY BL1830B SET	2	<	B2535	C2803	
A06-3A		197265-4	BATTERY BL1840B SET	2	O	C5218		
A06-3B		199283-8	BATTERY BL1830B SET	2	<	C2803	D0159	
A06-4B		199283-8	BATTERY BL1830B SET	2	<	D0159		
A07A		450128-8	BATTERY COVER	1				
A07B		450128-8	BATTERY COVER	1				
A08A		141358-9	PLASTIC CARRYING CASE	1				
	C10	163455-1	LATCH	2				
	C20	419360-3	HANDLE	1				
A08B		141358-9	PLASTIC CARRYING CASE	1				
	C10	163455-1	LATCH	2				
	C20	419360-3	HANDLE	1				

A:DDA350RME(H) B:DDA350RFE(H) C:DDA350Z(N)	Interchange O : Yes X : No < : the new part can be substituted for the current. > : the current part can be substituted for the new. S : Interchangeable as a set.
--	---