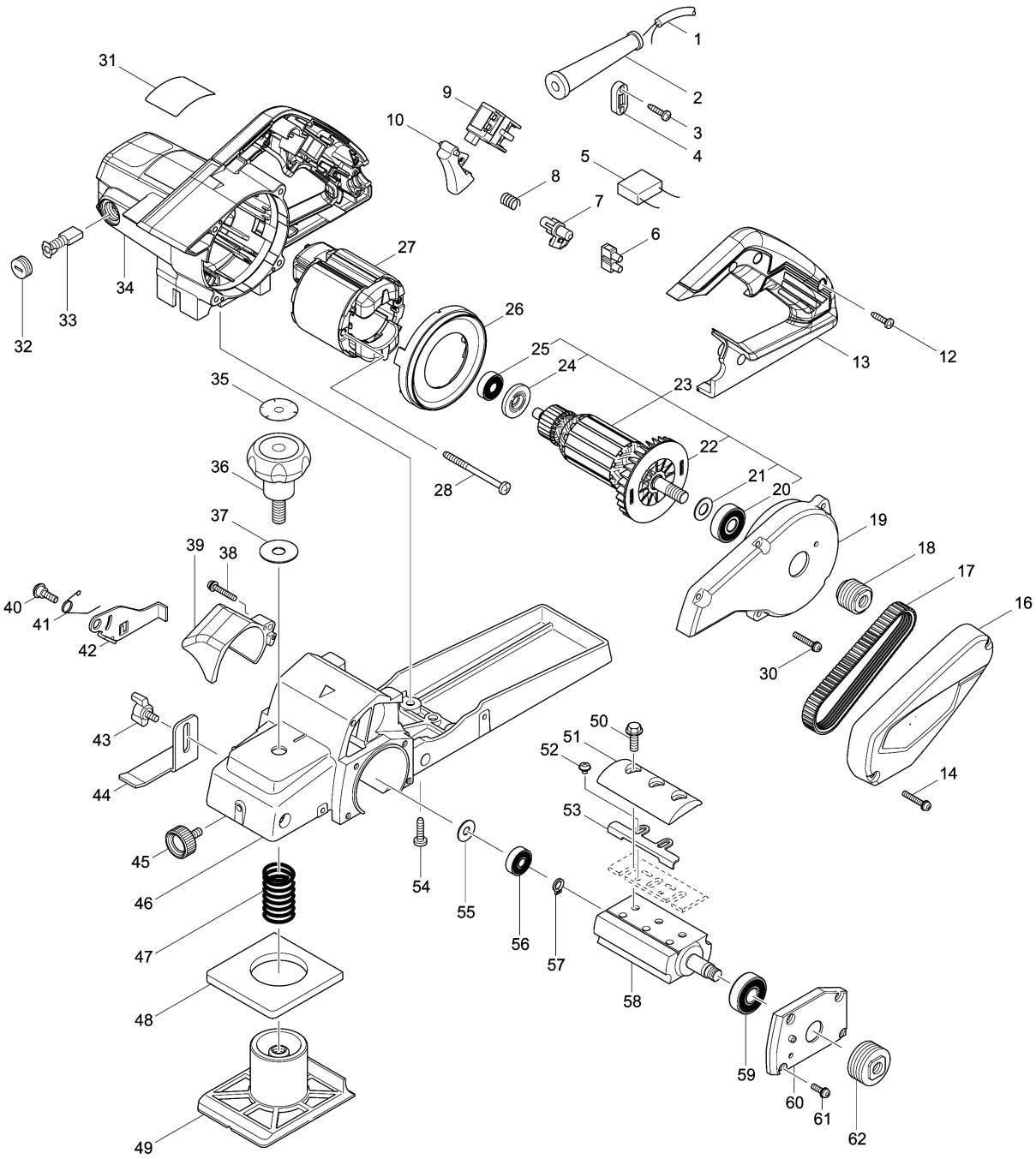


Model No.M1100 82MM PLANER



Model No.M1100 82MM PLANER

รายการ	รหัสอะไหล่	รายละเอียด	การ แลกเปลี่ยน	จำนวน	New/Old	ขาย	ซื้อ	ข้อความ
001-1	691771-6	POWER SUPPLY CORD 0.75-2-5.0		1				
002	682574-9	CORD GUARD 10-90		1				
003	266326-2	TAPPING SCREW 4X18		2				
004	687140-7	STRAIN RELIEF		1				
007	418871-5	LOCK ON BUTTON		1				
008	233423-9	COMPRESSION SPRING 9		1				
009	650545-4	SWITCH TGA115CT-2		1				
010	418873-1	SWITCH LEVER		1				
012	266326-2	TAPPING SCREW 4X18		3				
013	412715-1	HANDLE COVER		1				
014	265101-3	PAN HEAD SCREW M4X25		2				
016	458047-2	BELT COVER		1				
017	225096-2	POLY V-BELT 5-285		1				
018	222166-8	V-PULLEY 5-23.5L		1				
019	317854-1	BRACKET		1				
020	211476-8	BALL BEARING 6200ZZ		1				
021	267256-0	FLAT WASHER 10		1				
022	240064-4	FAN 70		1				
023	513853-3	ARMATURE ASS'Y 220V		1				
D10		INC. 20-22,24,25						
024	681644-1	INSULATION WASHER		1				
025	210046-0	BALL BEARING 608ZZ		1				
026	454051-9	BAFFLE PLATE		1				
027	594533-0	FIELD ASS'Y 220V		1				
C10	654449-2	RING TERMINAL		2				
C20	654485-8	PARALLEL SPLICE		2				
028	266352-1	TAPPING SCREW 5X65		2				
030	265101-3	PAN HEAD SCREW M4X25		5				
031	853P90-6	M1100 NAME PLATE		1				
032	643750-0	BRUSH HOLDER CAP 7-11		2				
033	B-80379	CARBON BRUSH SET CB-303A		1				
034	140U92-4	MOTOR HOUSING COMPLETE		1				
C10	643708-9	BRUSH HOLDER 5-11		2				
035	890029-2	SCALE LABEL		1				
036	271329-3	KNOB 50		1				
037	267258-6	FLAT WASHER 10		1				
038	265101-3	PAN HEAD SCREW M4X25		1				
039	418874-9	CHIP COVER		1				
040	265150-0	+SHOULDER SCREW M5X18		1				
041	231677-2	TORSION SPRING 9		1				
042	345507-2	DRUM COVER		1				
043	265760-3	THUMB SCREW M5X10		1				
044	345506-4	DEPTH GUIDE		1				

Model No.M1100 82MM PLANER

รายการ	รหัสอะไหล่	รายละเอียด	การ แลกเปลี่ยน	จำนวน	New/Old	ขาย	ซื้อ	ข้อความ
045	265767-9	THUMB SCREW M6X13		1				
046	154501-1	MAIN FRAME COMPLETE		1				
047	233422-1	COMPRESSION SPRING 19		1				
048	421902-1	RUBBER PACKING		1				
049	317852-5	FRONT BASE		1				
050	265512-2	FLANGE HEX.BOLT M6X17		6				
051	187676-1	DRUM PLATE SET		1				
052	265132-2	+ PAN HEAD SCREW M4X5		4				
053	345644-2	ADJUST PLATE		2				
054	266420-0	TAPPING SCREW 5X20		4				
055	267293-4	FLAT WASHER 7		1				
056	210030-5	BALL BEARING 627ZZ		1				
057	961003-8	RETAINING RING S-7		1				
058	161141-8	DRUM		1				
059	211477-6	BALL BEARING 6201ZZ		1				
060	317853-3	BEARING BOX		1				
061	265099-4	PAN HEAD SCREW M4X14		4				
062	222165-0	V-PULLEY 5-32.4		1				
A01	122694-2	SHARPENING HOLDER ASS'Y		1				
C10	252649-4	THUMB NUT M6		2				
C20	266332-7	R.H SQUARE NECK BOLT M6X35		2				
C30	341003-8	PRESSURE PLATE		1				
A02	122695-0	BLADE GAUGE ASS'Y		1				
C10	265131-4	PAN HEAD SCREW M5X18		2				
C20	418465-6	GAUGE PLATE		1				
A03	163539-5	GUIDE RULE		1				
A04	782229-7	BOX WRENCH 9		1				
A05	D-16346	82MM HSS PLANER BLADE		2				
A06	821729-3	PLASTIC CASE		1				
C10	452143-8	SHAFT		2				
C20	452432-1	SLIDE LATCH		2				
C30	806G57-9	MAKITA MT LOGO LABEL		1				
A07	8015S0-4	M1100KX1B PLASTIC CASE LABEL		2				
A08	D-17756	DRESSING STONE 150-1200 SET		1				

Please order the parts with part number.

Print Date 13/5/2020