



TH	THAILAND
----	----------

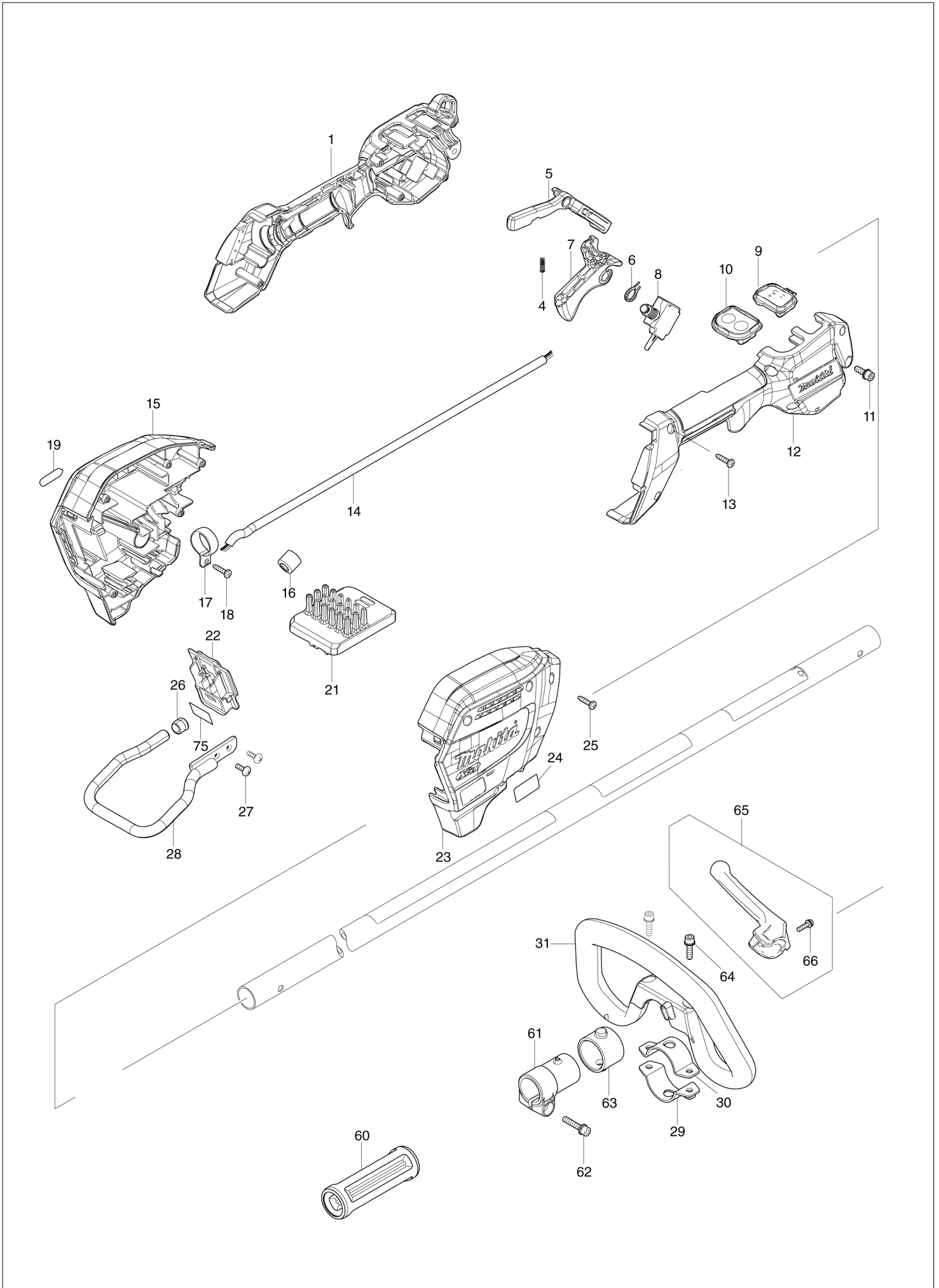
# Diagram / Parts List

**UR003G**

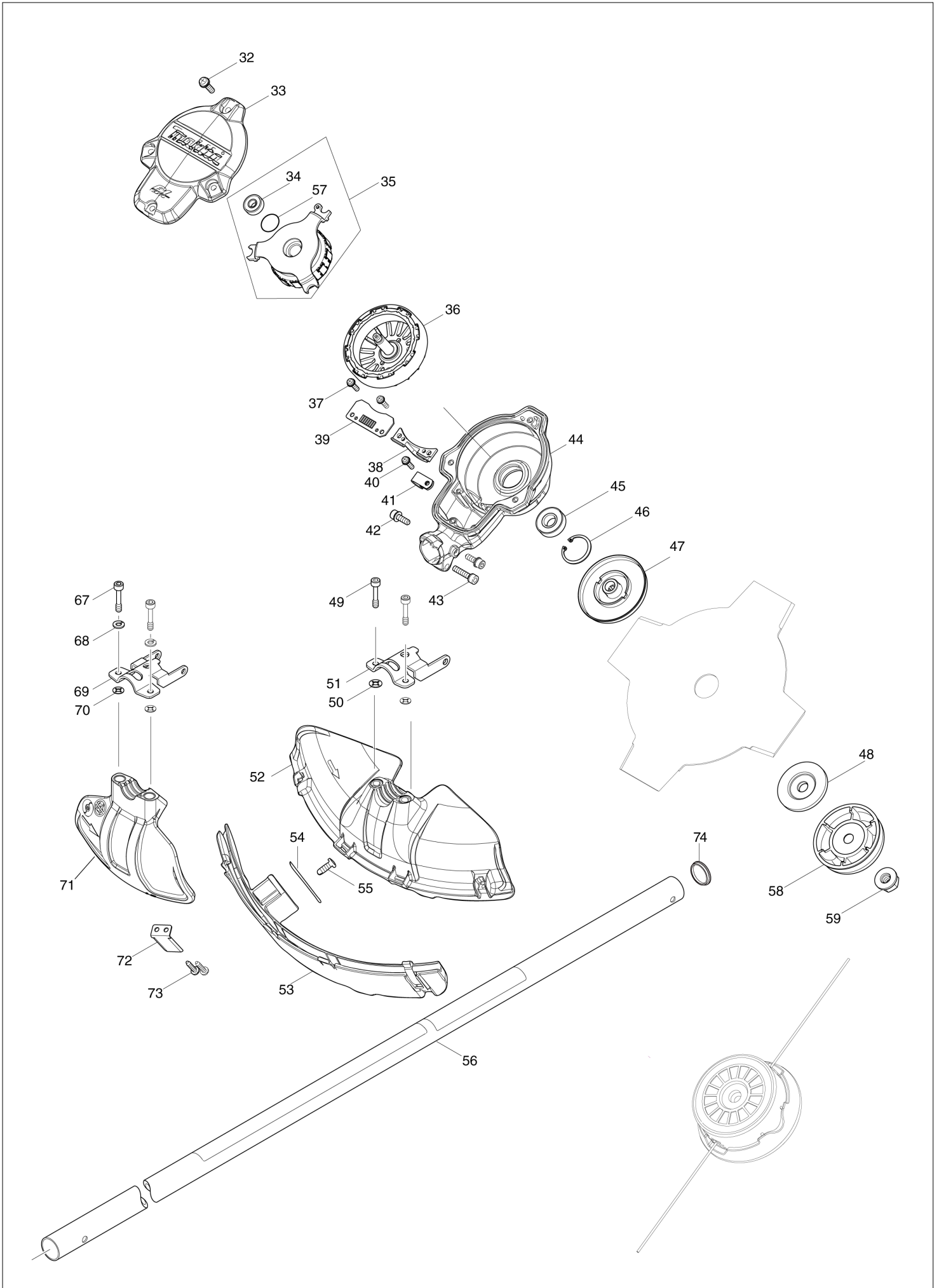
**CORDLESS GRASS TRIMMER**



(TH) UR003G / CORDLESS GRASS TRIMMER



(TH) UR003G / CORDLESS GRASS TRIMMER



<b>TH</b>	<b>THAILAND</b>
-----------	-----------------

## UR003G / CORDLESS GRASS TRIMMER

Item	Sub	Parts No.	Parts Description	Qty	I/C	E/C No.	Close No.	Remark
001		183S36-9	GRIP SET	1				
	D10		INC. 12					
004		233101-1	COMPRESSION SPRING 4	1				
005		459759-0	LOCK OFF LEVER	1				
006		233622-3	TORSION SPRING 12	1				
007		459758-2	SWITCH LEVER	1				
008		651492-2	SWITCH C3JR-1A-PAXD3	1				
009		141B31-3	INDICATION CIRCUIT COMPLETE	1				
010		140W06-5	SWITCH CIRCUIT COMPLETE G	1				
	C10	819J26-9	SWITCH LABEL	1				
011		922233-6	H.S.H.BOLT M5X20 WITH WR	1				
012		183S36-9	GRIP SET	1				
	D10		INC. 1					
013		266326-2	TAPPING SCREW 4X18	6				
014		699159-4	POWER SUPPLY CORD UNIT	1				
015		183S34-3	HOUSING SET	1				
	C10	263005-3	RUBBER PIN 6	2				
	D10		INC. 23					
017		346248-3	CLAMP 24	1				
018		266326-2	TAPPING SCREW 4X18	1				
019		8012U4-2	XGT LOGO LABEL	1				
021		620E47-4	CONTROLLER	1			DC879	
021-1		620J66-0	CONTROLLER	1	S	DC879		
022		632P49-4	TERMINAL UNIT	1				
023		183S34-3	HOUSING SET	1				
	C10	263005-3	RUBBER PIN 6	2				
	D10		INC. 15					
024		811A61-9	UR003G NAME PLATE	1				
025		266326-2	TAPPING SCREW 4X18	5				
026		422230-7	CAP	1				
027		266420-0	TAPPING SCREW 5X20	2				
028		347752-5	BATTERY GUARD	1				
029		347114-7	LOWER CLAMP 35	1				
030		347113-9	UPPER CLAMP 35	1				
031		457267-5	LOOP HANDLE	1				
	C10	263005-3	RUBBER PIN 6	1				
032		911233-1	PAN HEAD SCREW M5X20	4				
033		413335-4	TOP COVER	1				
034		210062-2	BALL BEARING 607ZZ	1				
035		529146-8	STATOR ASS'Y	1			DC879	
	D10		INC. 34,57				DC879	
035-1		520136-4	STATOR ASS'Y	1	S	DC879		
	D10		INC. 34,57			DC879		
036		619462-7	ROTOR	1				
037		911128-8	P.H.SCREW M4X16 WITH WR	2				
038		455628-3	INNER COVER	1				
039		620E48-2	CONTROLLER B	1				
040		911128-8	P.H.SCREW M4X16 WITH WR	1				
041		687042-7	STRAIN RELIEF	1				
042		922223-9	H.S.H.BOLT M5X16 WITH WR	2				
043		922241-7	HEX. SOCKET HEAD BOLT M5X25	1				
044		141A05-8	MOTOR HOUSING COMPLETE	1				
045		211131-2	BALL BEARING 6001DDW	1				
046		962106-1	RETAINING RING R-28	1				
047		140L84-9	RECEIVE WASHER COMPLETE G	1				
048		346084-7	CLAMP WASHER	1				
049		266896-1	HEX. SOCKET HEAD BOLT M5X20	2				
050		261156-6	POLYPROPYLENE WASHER 4	2				
051		346785-7	PROTECTOR CLAMP	1				
052		413336-2	PROTECTOR	1				
053		141A09-0	PROTECTOR U EXT. 350 COMPLETE	1				
054		347115-5	CUTTER	1				
055		266388-0	TAPPING SCREW 5X16	1				
056		141B05-4	PIPE COMPLETE O	1				
	C10	819312-8	MAKITA LOGO LABEL	1				

A:UR003GZ02(N)

Interchange  
 O : Yes  
 X : No  
 < : the new part can be substituted for the current.  
 > : the current part can be substituted for the new.  
 S : Interchangeable as a set.

