



TH	THAILAND
----	----------

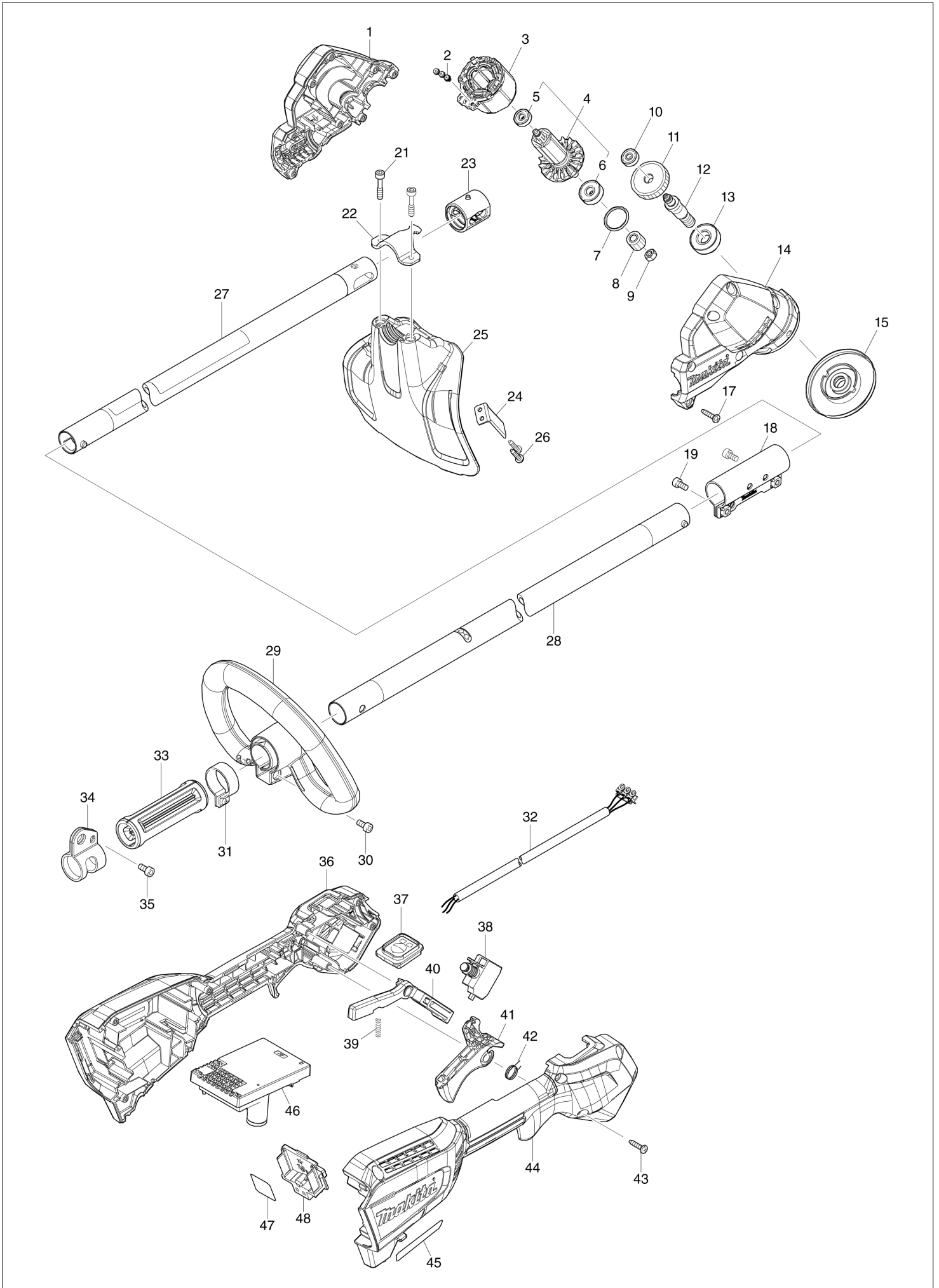
# Diagram / Parts List

**DUR192L**

**CORDLESS GRASS TRIMMER**



(TH) DUR192L / CORDLESS GRASS TRIMMER



TH	THAILAND
----	----------

### DUR192L / CORDLESS GRASS TRIMMER

Item	Sub	Parts No.	Parts Description	Qty	I/C	E/C No.	Close No.	Remark
001		183R54-1	MOTOR HOUSING SET	1				
	D10		INC. 14					
002		652069-6	FLAT HEAD SCREW M3X6	3				
003		629A22-3	STATOR	1				
004		519643-2	ROTOR ASS'Y	1				
	D10		INC. 5,6					
005		210235-7	BALL BEARING 625ZZ	1				
006		210236-5	BALL BEARING 627ZZ	1				
007		213843-3	O-RING 21	1			DB792	
007-1		213925-1	O-RING 21	1	O	DB792		
008		227831-4	HELICAL GEAR 11	1			D6268	
008-1		227883-5	HELICAL GEAR 11	1	<	D6268	DH288	
008-2		227831-4	HELICAL GEAR 11	1	O	DH288		
009		931302-2	HEX. NUT M6	1				
010		210235-7	BALL BEARING 625ZZ	1				
011		227830-6	HELICAL GEAR 32	1				
012		327678-7	CUTTER SHAFT	1				
013		210216-1	BALL BEARING 6001DDW	1				
014		183R54-1	MOTOR HOUSING SET	1				
	D10		INC. 1					
015		140W47-1	RECEIVE WASHER COMPLETE	1				
	C10	213134-2	O-RING 11	1				
017		266326-2	TAPPING SCREW 4X18	8				
018		347747-8	JOINT 24	1				
019		922207-7	HEX. SOCKET HEAD BOLT M5X10	2				
021		251513-6	H.S.H.BOLT M5X25	2				
022		347667-6	PROTECTOR CLAMP	1				
023		424567-8	RUBBER SLEEVE 24	1				
024		346855-2	CUTTER	1				
025		412580-8	PROTECTOR N 330	1				
026		266326-2	TAPPING SCREW 4X18	2				
027		140W46-3	PIPE COMPLETE C	1				
	C10	8023L9-8	CAUTION LABEL	1				
	C20	819312-8	MAKITA LOGO LABEL	1				
028		140W45-5	PIPE COMPLETE B	1				
	C10	808723-2	CAUTION LABEL	1				
029		457937-6	LOOP HANDLE 24	1			DG323	
029-1		413L67-5	LOOP HANDLE 24	1	O	DG323		
030		922212-4	HEX. SOCKET HEAD BOLT M5X12	1				
031		347011-7	PIPE CLAMP 29	1				
032		699157-8	POWER SUPPLY CORD UNIT	1				
034		347116-3	HANGER	1				
035		922212-4	HEX. SOCKET HEAD BOLT M5X12	1				
036		183R55-9	GRIP HOUSING SET	1				
	C10	263005-3	RUBBER PIN 6	3				
	D10		INC. 44					
037		140W41-3	SWITCH CIRCUIT COMPLETE	1				
	C10	8007N9-0	SWITCH LABEL	1				
038		651494-8	SWITCH C3JW-1A-PA-2	1				
039		233101-1	COMPRESSION SPRING 4	1				
040		412863-6	LOCK OFF LEVER	1				
041		459758-2	SWITCH LEVER	1				
042		233622-3	TORSION SPRING 12	1				
043		266326-2	TAPPING SCREW 4X18	8				
044		183R55-9	GRIP HOUSING SET	1				
	C10	263005-3	RUBBER PIN 6	3				
	D10		INC. 36					
045		857T44-9	DUR192L NAME PLATE	1				
046		620D78-7	CONTROLLER	1				
047		857T51-2	DUR192L SERIAL NO. LABEL	1				
048		644809-6	TERMINAL	1				
A01		198892-0	CUTTER ASSEMBLY 95-M10L SET M	1				
A02		127508-0	BAND ASS'Y	1				
A03		783202-0	HEX. WRENCH 4	1				
A04		195246-2	SAFETY GOGGLE	1			DJ640	

A:DUR192LZ(N)

Interchange

O : Yes

X : No

< : the new part can be substituted for the current.

> : the current part can be substituted for the new.

S : Interchangeable as a set.

