



TH	THAILAND
----	----------

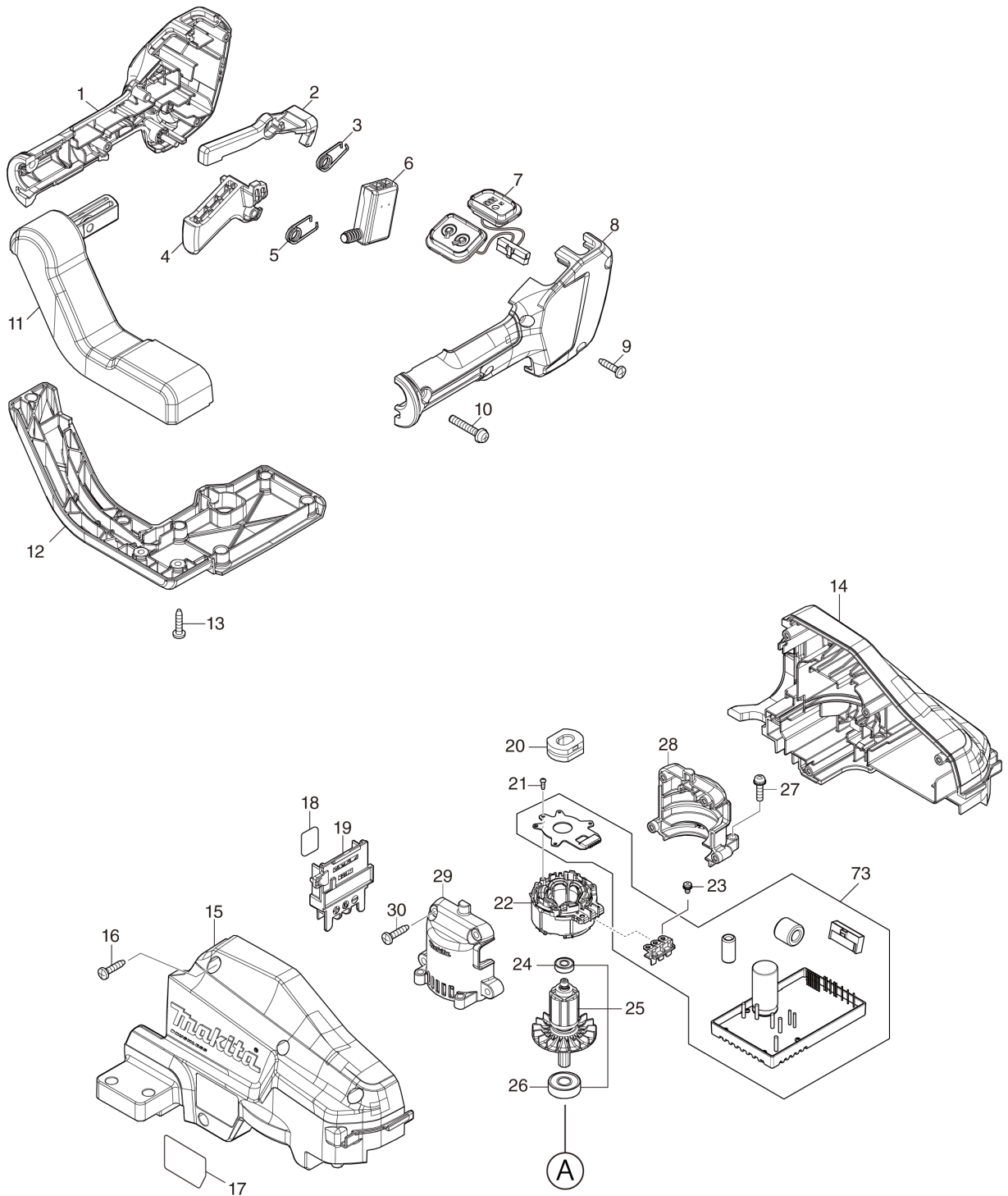
Diagram / Parts List

DUH754S

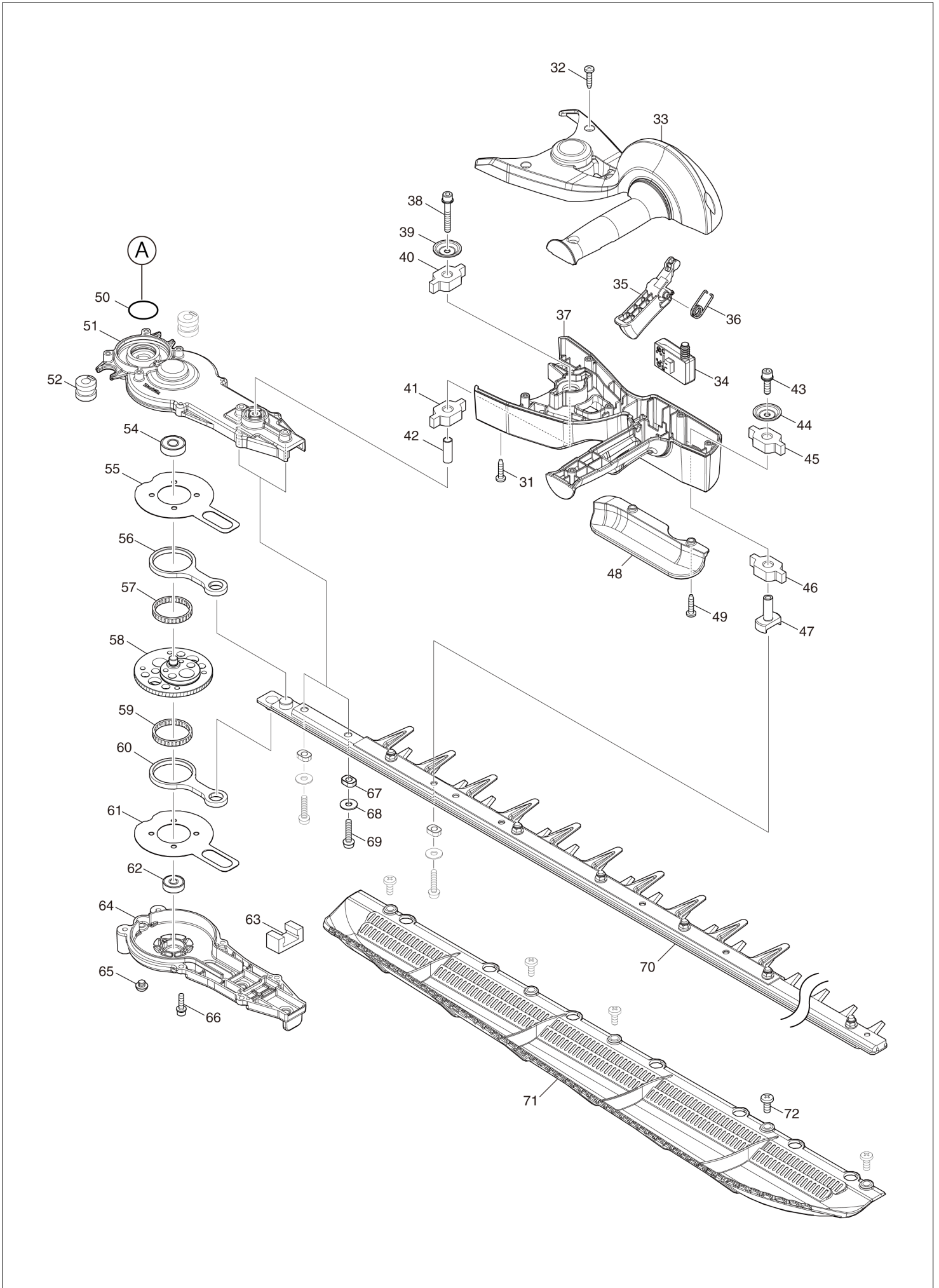
750MM CORDLESS HEDGE TRIMMER



(TH) DUH754S / 750MM CORDLESS HEDGE TRIMMER



(TH) DUH754S / 750MM CORDLESS HEDGE TRIMMER



TH	THAILAND
----	----------

DUH754S / 750MM CORDLESS HEDGE TRIMMER

Item	Sub	Parts No.	Parts Description	Qty	I/C	E/C No.	Close No.	Remark
001		183N66-0	GRIP SET	1				
	C10	252180-0	HEX. LOCK NUT M5-8	1				
	D10		INC. 8					
002		455629-1	LOCK OFF LEVER	1				
003		233621-5	TORSION SPRING 9	1				
004		412315-7	SWITCH LEVER R	1				
005		233621-5	TORSION SPRING 9	1				
006		651083-9	SWITCH C3XA-1PSPM	1				
007		140S92-2	SUB CONTROLLER COMPLETE	1				
	C10	8008M5-7	SWITCH LABEL	1				
	C20	8008M7-3	INDICATION LABEL	1				
008		183N66-0	GRIP SET	1				
	C10	252180-0	HEX. LOCK NUT M5-8	1				
	D10		INC. 1					
009		266326-2	TAPPING SCREW 4X18	4				
010		911253-5	PAN HEAD SCREW M5X30	1				
011		412311-5	GRIP JOINT COVER	1				
012		412310-7	GRIP JOINT	1				
013		266326-2	TAPPING SCREW 4X18	8				
014		183N69-4	HOUSING SET	1				
	C10	263005-3	RUBBER PIN 6	2				
	C20	424344-8	DAMPER	4				
	D10		INC. 15					
015		183N69-4	HOUSING SET	1				
	C10	263005-3	RUBBER PIN 6	2				
	C20	424344-8	DAMPER	4				
	D10		INC. 14					
016		266326-2	TAPPING SCREW 4X18	4				
017		856R38-9	DUH754S NAME PLATE	1				
018		856R41-0	DUH754S SERIAL NO. LABEL	1				
019		643874-2	TERMINAL	1				
020		422261-6	RUBBER SLEEVE	1				
021		266490-9	TAPPING SCREW PT 2X6	3				
022		629352-6	STATOR	1				
023		652069-6	FLAT HEAD SCREW M3X6	3				
024		211157-4	BALL BEARING 695ZZ	1				
025		510448-3	ROTOR ASSY	1				
	D10		INC. 24,26					
026		210005-4	BALL BEARING 608DDW	1				
027		911128-8	P.H.SCREW M4X16 WITH WR	4				
028		183L66-8	MOTOR HOUSING SET	1				DK013
	D10		INC. 29					DK013
028-1		183L66-8	MOTOR HOUSING SET	1	<	DK013		
	D10		INC. 29			DK013		
029		183L66-8	MOTOR HOUSING SET	1				DK013
	D10		INC. 28					DK013
029-1		183L66-8	MOTOR HOUSING SET	1	<	DK013		
	D10		INC. 28			DK013		
030		266326-2	TAPPING SCREW 4X18	4				
031		266326-2	TAPPING SCREW 4X18	4				
032		266326-2	TAPPING SCREW 4X18	6				
033		183P30-3	FRONT GRIP SET	1				
	C10	8008M9-9	CAUTION LABEL	1				
	D10		INC. 37					
034		651083-9	SWITCH C3XA-1PSPM	1				
035		412316-5	SWITCH LEVER F	1				
036		233621-5	TORSION SPRING 9	1				
037		183P30-3	FRONT GRIP SET	1				
	C10	8008M9-9	CAUTION LABEL	1				
	D10		INC. 33					
038		251476-6	H.S.H.BOLT M5X35 WITH WR	1				DJ608
038-1		265D13-4	H.S.H.BOLT M5X35 WITH WRM	1	O	DJ608		
039		253416-0	DISH WASHER 5	1				
040		422260-8	RUBBER SLEEVE 8	1				
041		422260-8	RUBBER SLEEVE 8	1				

A:DUH754SZ(N)
B:DUH754SRGE(H)

Interchange
O : Yes
X : No
< : the new part can be substituted for the current.
> : the current part can be substituted for the new.
S : Interchangeable as a set.

TH	THAILAND
-----------	-----------------

DUH754S / 750MM CORDLESS HEDGE TRIMMER

Item	Sub	Parts No.	Parts Description	Qty	I/C	E/C No.	Close No.	Remark
042		257678-2	SLEEVE 6	1				
043		922228-9	H.S.H.BOLT M5X18 WITH WR	1				
044		253416-0	DISH WASHER 5	1				
045		422260-8	RUBBER SLEEVE 8	1				
046		422260-8	RUBBER SLEEVE 8	1				
047		327535-9	CONNECTOR	1				
048		412317-3	LOWER GUARD	1				
049		266326-2	TAPPING SCREW 4X18	2				
050		213961-7	O RING 22	1				
051		140S12-6	GEAR HOUSING COMPLETE	1				
	C10	424344-8	DAMPER	1				
052		422259-3	RUBBER SLEEVE 8	2				
054		211032-4	BALL BEARING 608ZZ	1			D0926	
054-1		210223-4	BALL BEARING 608ZZ	1	O	D0926		
055		347361-0	FRICTION PLATE	1				
056		347662-6	CONNECTING ROD	1				
057		212229-8	NEEDLE CAGE 315	1				
058		140R63-3	GEAR COMPLETE	1				
059		212229-8	NEEDLE CAGE 315	1				
060		347662-6	CONNECTING ROD	1				
061		347361-0	FRICTION PLATE	1				
062		211499-6	BALL BEARING 626ZZ	1				
063		443159-4	SEAL	1				
064		140B62-9	GEAR HOUSING COVER COMPLETE	1				
065		266559-9	H.S.BUTTON HEAD BOLT M6X4	1				
066		922128-3	HEX. SOCKET HEAD BOLT M4X16	6				
067		310983-9	SLEEVE 5	3				
068		253804-1	FLAT WASHER 6	3			D4810	
069		265182-7	+ PAN HEAD SCREW M5X25	3			D4810	
069-1		265B66-1	+ PAN HEAD SCREW M5X25 WITH WR	3	S	D4810		
070		191D39-9	SHEAR BLADE ASSEMBLY 750 SET	1			DB164	
	C10	188605-7	OIL VESSEL SET	1			DB164	
	C20	310983-9	SLEEVE 5	8			DB164	
	D10		INC. 67				DB164	
070-1		191Y05-2	SHEAR BLADE 750E SET	1	<	DB164		
	C10	188605-7	OIL VESSEL SET	1		DB164		
	C20	310983-9	SLEEVE 5	8		DB164		
	D10		INC. 67			DB164		
071		191D34-9	CHIP RECEIVER 750 SET	1				
072		915211-3	BINDING HEAD SCREW M5X12	5				
073		620B95-5	CONTROLLER	1				
A01		412770-3	BLADE COVER 750	1				
A02		195246-2	SAFETY GOGGLE	1			DJ640	
A03B		450128-8	BATTERY COVER	2				
A04B		191D97-5	BATTERY BL1860B SET	2				
A05B		***DC18RC	DC18RC FAST CHARGER	1				
	D10		COMPO-PARTS					
F01-1		199450-5	GREASE VESSEL SET	1	O	D1218		

<p>A:DUH754SZ(N) B:DUH754SRGE(H)</p>	<p>Interchange O : Yes X : No < : the new part can be substituted for the current. > : the current part can be substituted for the new. S : Interchangeable as a set.</p>
--	---