



TH	THAILAND
----	----------

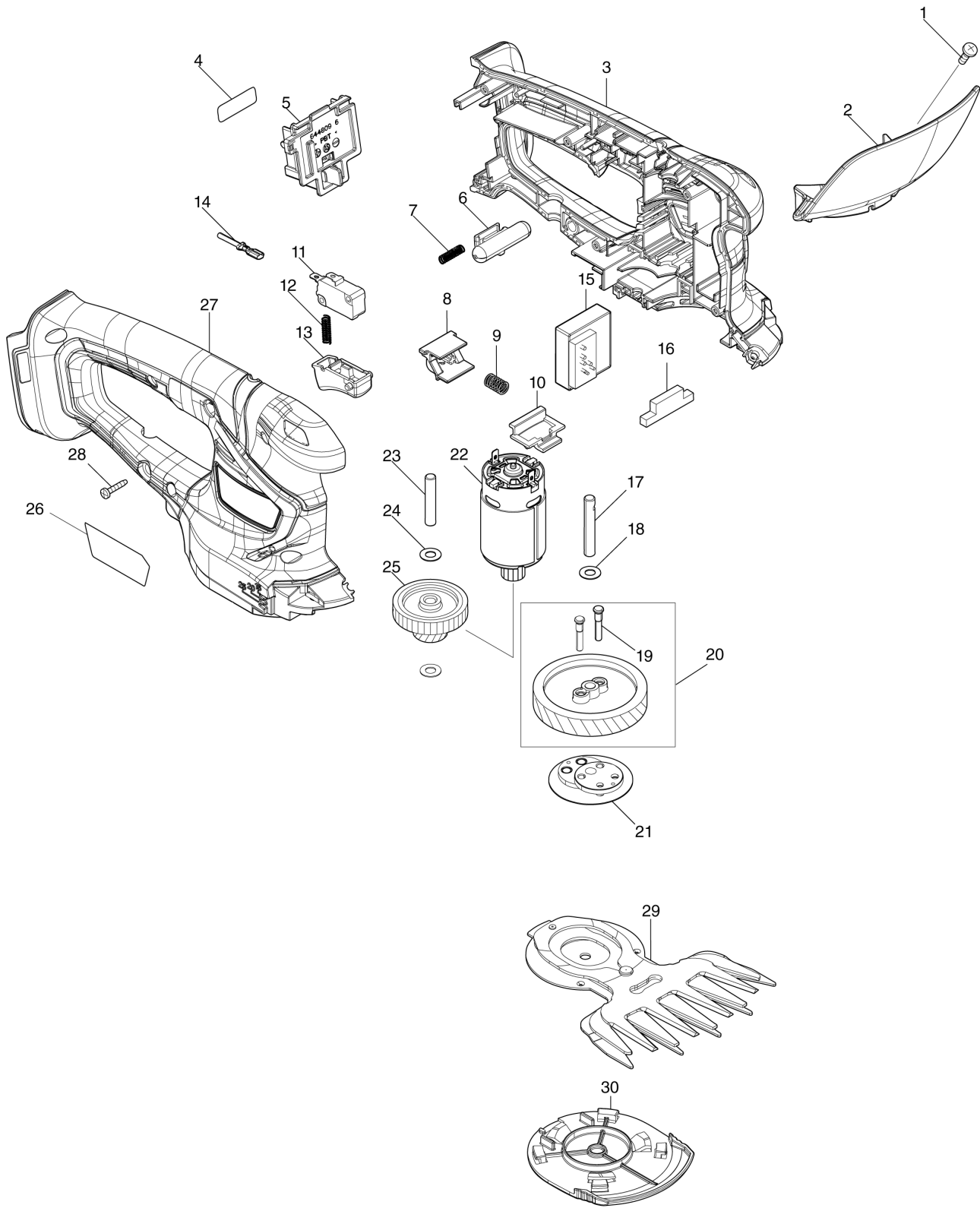
Diagram / Parts List

DUM111

110MM CORDLESS GRASS SHEAR



(TH) DUM111 / 110MM CORDLESS GRASS SHEAR



TH	THAILAND
-----------	-----------------

DUM111 / 110MM CORDLESS GRASS SHEAR

Item	Sub	Parts No.	Parts Description	Qty	I/C	E/C No.	Close No.	Remark
001		915116-7	BINDING HEAD SCREW M4X12	1				
002A		141C31-9	PROTECTOR COMPLETE	1			Y08461	
	C10	8030K3-8	CAUTION LABEL	1			Y08461	
002-1A		140V97-0	PROTECTOR COMPLETE	1	<	Y08461		
	C10	819948-3	CAUTION LABEL	1		Y08461	DK032	
002-1B		140V97-0	PROTECTOR COMPLETE	1				
	C10	819948-3	CAUTION LABEL	1			DK032	
	C11	819948-3	CAUTION LABEL	1	<	DK032		
003A		183G03-2	HOUSING SET	1			DB439	
	C10	931102-0	HEX. NUT M4	1			DB439	
	C20	346275-0	PLATE	2			DB439	
	C30	263005-3	RUBBER PIN 6	2			DB439	
	D10		INC. 27				DB439	
003-1A		183U53-1	HOUSING SET	1	S	DB439		
	C10	931102-0	HEX. NUT M4	1		DB439		
	C20	346275-0	PLATE	2		DB439		
	C30	263005-3	RUBBER PIN 6	2		DB439		
	D10		INC. 27			DB439		
003-1B		183U53-1	HOUSING SET	1				
	C10	931102-0	HEX. NUT M4	1				
	C20	346275-0	PLATE	2				
	C30	263005-3	RUBBER PIN 6	2				
	D10		INC. 27					
004		811957-8	DUM111 SERIAL NO. LABEL	1				
005A		644809-6	TERMINAL	1			D8745	
005-1A		643852-2	TERMINAL	1	<	D8745		
005-1B		643852-2	TERMINAL	1				
006A		452438-9	LOCK OFF BUTTON	1			DB439	
006-1A		413A16-6	LOCK OFF BUTTON	1	S	DB439		
006-1B		413A16-6	LOCK OFF BUTTON	1				
007		231473-8	COMPRESSION SPRING 4	1				
008		457534-8	SLIDE PLATE	1				
009		234339-1	COMPRESSION SPRING 6	1				
010		454879-5	LOCK LEVER	1				
011		650744-8	SWITCH D3V-16-3C26	1				
012		231473-8	COMPRESSION SPRING 4	1				
013		417564-1	SWITCH LEVER	1				
014		632S19-1	LEAD UNIT	1				
015		620E35-1	CONTROLLER	1				
016		451814-4	DUST GUARD	1				
017		268254-7	PIN 6	1				
018		253715-0	FLAT WASHER 6	1				
019		268256-3	PIN 4	2				
020		135883-0	HELICAL GEAR 47 ASS'Y	1				
	D10		INC. 19					
021		161598-3	CRANK COMPLETE	1				
022		629943-3	DC MOTOR	1				
023		268076-5	PIN 6	1				
024		253715-0	FLAT WASHER 6	2				
025		226831-1	GEAR 12-31	1				
026		811949-7	DUM111 NAME PLATE	1				
027A		183G03-2	HOUSING SET	1			DB439	
	C10	931102-0	HEX. NUT M4	1			DB439	
	C20	346275-0	PLATE	2			DB439	
	C30	263005-3	RUBBER PIN 6	2			DB439	
	D10		INC. 3				DB439	
027-1A		183U53-1	HOUSING SET	1	S	DB439		
	C10	931102-0	HEX. NUT M4	1		DB439		
	C20	346275-0	PLATE	2		DB439		
	C30	263005-3	RUBBER PIN 6	2		DB439		
	D10		INC. 3			DB439		
027-1B		183U53-1	HOUSING SET	1				
	C10	931102-0	HEX. NUT M4	1				
	C20	346275-0	PLATE	2				
	C30	263005-3	RUBBER PIN 6	2				

A:DUM111SYX(H)
B:DUM111ZX(N)

Interchange
O : Yes
X : No
< : the new part can be substituted for the current.
> : the current part can be substituted for the new.
S : Interchangeable as a set.

