



TH	THAILAND
----	----------

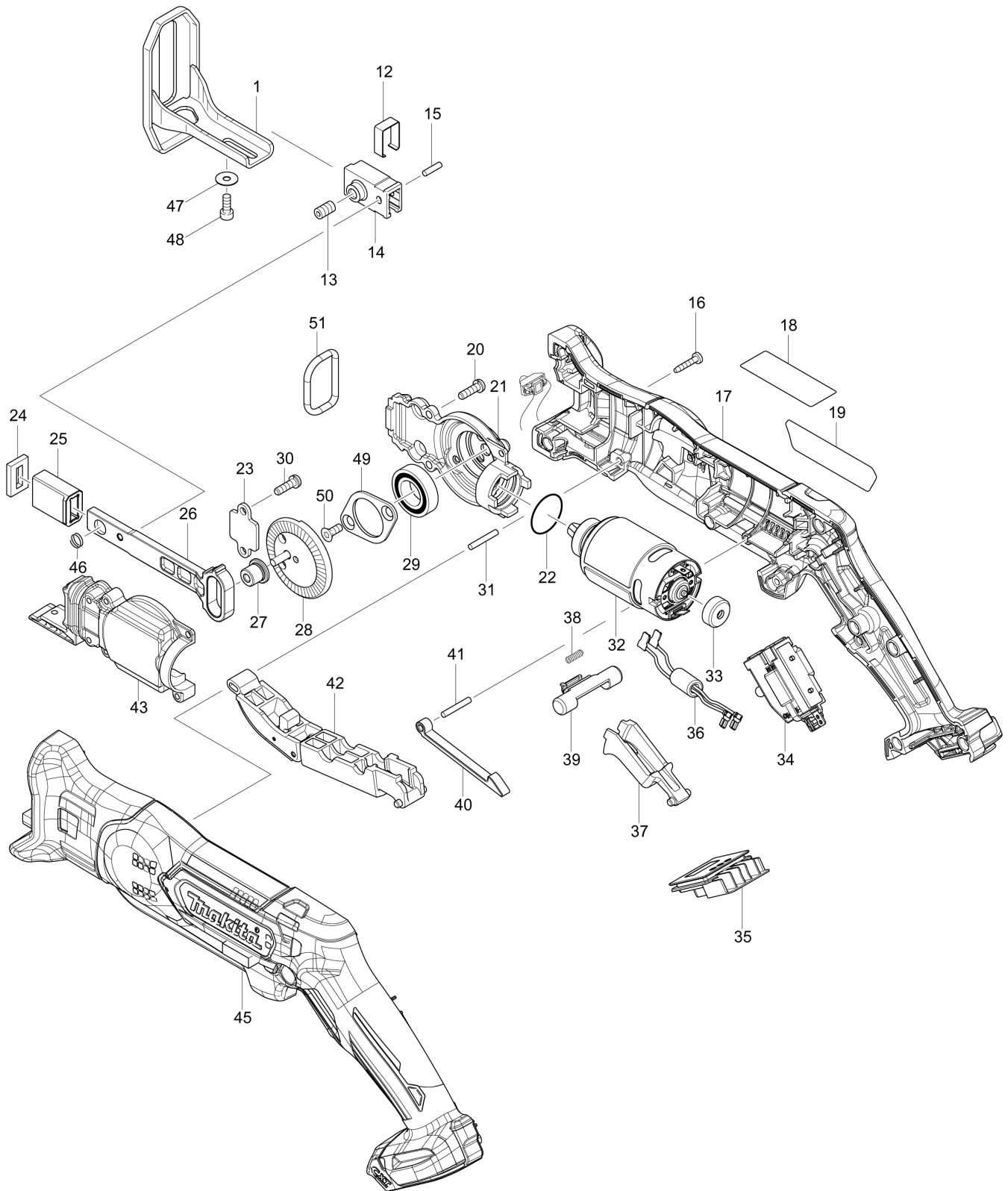
Diagram / Parts List

JR105D

CORDLESS RECIPRO SAW



(TH) JR105D / CORDLESS RECIPRO SAW



TH	THAILAND
----	----------

JR105D / CORDLESS RECIPRO SAW

Item	Sub	Parts No.	Parts Description	Qty	I/C	E/C No.	Close No.	Remark
001		165740-8	SHOE	1				
012		346526-1	CLAMPER	1				
013		251961-9	H.S.SET SCREW(FLAT POINT)M6X10	1				
014		310497-8	BLADE CLAMP	1			C8265	
014-1		310978-2	BLADE CLAMP	1	<	C8265		
015		256157-7	PIN 3	1				
016		266429-2	TAPPING SCREW 3X16	10				
017		183C31-3	HOUSING SET	1				
	C10	263002-9	RUBBER PIN 4	3				
	D10		INC. 45					
019		851J07-7	JR105D NAME PLATE	1			Y07915	
019-1		851J06-9	JR105D NAME PLATE	1	<	Y07915		
020		266747-8	PAN HEAD SCREW M4X14 WITH WM	3				
021		319060-4	GEAR HOUSING	1				
022		213961-7	O RING 22	1				
023		346525-3	PLATE	1				
024		443185-3	FELT SEAL	1				
025		313220-0	SLIDER GUIDE	1				
026		313269-0	SLIDER N	1				
027		313270-5	COLLARED SLEEVE 4	1				
028		142284-5	GEAR COMPLETE	1				
029		211242-3	BALL BEARING 6902ZZ	1			DL021	
029-1		210294-1	BALL BEARING 6902ZZ	1	O	DL021		
030		266747-8	PAN HEAD SCREW M4X14 WITH WM	2				
031		256158-5	PIN 3	1				
032		629165-5	DC MOTOR	1				
033		424467-2	CAP	1				
034		632F47-8	SWITCH UNIT	1				
	C10	620447-8	LED CIRCUIT	1				
035		644813-5	TERMINAL	1				
037		453072-8	SWITCH LEVER R	1				
038		233438-6	COMPRESSION SPRING 4	1				
039		454661-2	LOCK OFF LEVER R	1				
040		313219-5	LINK	1				
041		256158-5	PIN 3	1				
042		141128-6	SWITCH LEVER F COMPLETE	1				
043		319061-2	GEAR HOUSING COVER	1				
045		183C31-3	HOUSING SET	1				
	C10	263002-9	RUBBER PIN 4	3				
	D10		INC. 17					
046		234258-1	COMPRESSION SPRING 7	1				
047		253874-0	FLAT WASHER 4	1				
048		922112-8	HEX. SOCKET HEAD BOLT M4X10	1				
049		285738-0	BEARING RETAINER 36	1				
050		265035-0	COUNTERSUNK HEAD SCREW M4X10	2				
051		424597-9	RUBBER RING 23	1				
A01		783201-2	HEX. WRENCH 3	1				
A02		B-20432	RECIPROSAW BLADE 100MM	1				
A03		B-20404	RECIPROSAW BLADE 100MM	1				
A04B		456128-6	BATTERY COVER	1				
A04C		456128-6	BATTERY COVER	1				
A05B		***DC10WD	DC10WD BATTERY CHARGER	1				
	D10		COMPO-PARTS					
A05C		***DC10WD	DC10WD BATTERY CHARGER	1				
	D10		COMPO-PARTS					
A06B		197406-2	BATTERY BL1041B SET	2			C2801	
A06C		197393-5	BATTERY BL1016 SET	2			C2691	
A06-1B		199289-6	BATTERY BL1041B SET	2	<	C2801	D0165	
A06-1C		199291-9	BATTERY BL1016 SET	2	<	C2691	D0163	
A06-2B		199289-6	BATTERY BL1041B SET	2	<	D0165		
A06-2C		199291-9	BATTERY BL1016 SET	2	<	D0163		
A07B		821662-9	PLASTIC CARRYING CASE	1				
	C10	162315-4	LATCH	2				
A07C		821662-9	PLASTIC CARRYING CASE	1				
	C10	162315-4	LATCH	2				

A:JR105DZ(N)
 B:JR105DWME(H)
 C:JR105DWYE(H)

Interchange
 O : Yes
 X : No
 < : the new part can be substituted for the current.
 > : the current part can be substituted for the new.
 S : Interchangeable as a set.

