



TH	THAILAND
----	----------

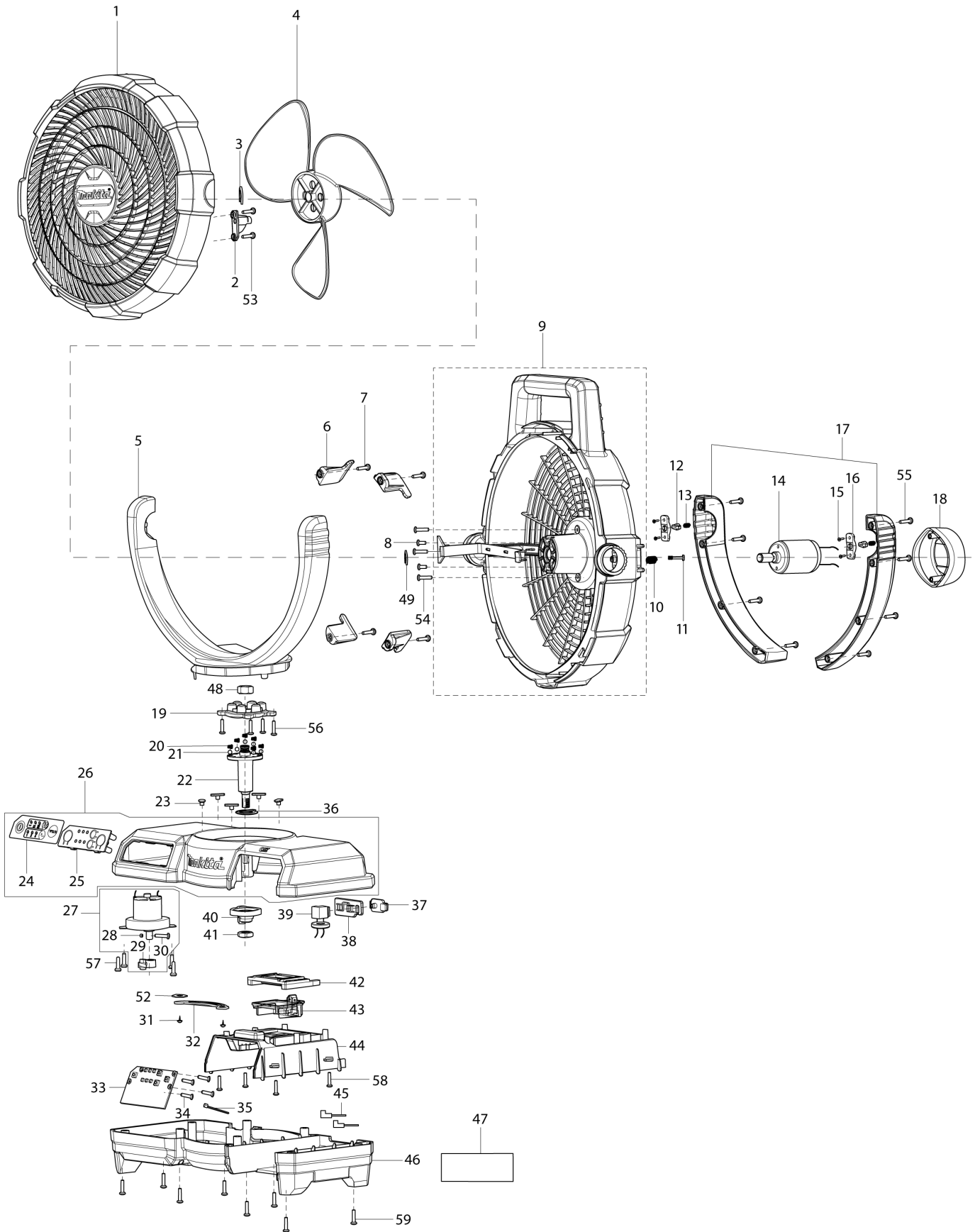
Diagram / Parts List

DCF203

CORDLESS FAN



(TH) DCF203 / CORDLESS FAN



TH

THAILAND

DCF203 / CORDLESS FAN

Item	Sub	Parts No.	Parts Description	Qty	I/C	E/C No.	Close No.	Remark
001		TE00000371	FRONT COVER OF THE BODY	1				
002		TE00000362	RELEASE BUTTON	1				
003		TE00000373	CIRCLIP	1				
004		TE00000374	FAN BLADE	1			Y09048	
004-1		TE00000700	FAN BLADE	1	O	Y09048		
005		TE00000375	FRONT COVER OF STAND	1				
006		TE00000376	SHELL HOOK(BLUE)	4				
007		TE00000028	TAPPING SCREW 3X14	4				
008		TE00000030	P.H.SCREW M3X5	2				
009		TE00000363	BACK COVER OF THE BODY	1				
010		TE00000378	SPRING	1				
011		TE00000364	LOCKED SCREW FOR FRONT HOUSIN	1				
012		TE00000190	STOPPER	2				
013		TE00000197	SPRING1	2				
014		TE00000380	MOTOR	1				
015		TE00000203	SELF-TAPPING SCREW 2.5X8	4				
016		TE00000189	STOPPER SUPPORT	2				
017		TE00000381	BACK COVER OF THE SUPPORT LR	1				
018		TE00000011	MOTOR COVER	1				
019		TE00000062	COUPLING	1				
020		TE00000064	COMPRESSION SPRING-5	6				
021		TE00000063	STEEL BALL 6	6				
022		TE00000382	PRINCIPAL AXIS	1				
023		TE00000089	POM PLATE	5			Y08261	
023-1		TE00000474	POM PLATE	5	O	Y08261		
024		TE00000365	SWITCH LABEL	1				
025		TE00000384	SWITCH PANEL(BLUE)	1				
026		TE00000385	UPPER BASE	1				
	D10		INC. 24,25					
027		TE00000386	SUB MOTOR	1				
	D10		INC. 28-30					
028		TE00000281	NUT M3	1				
029		TE00000282	SHAKE HEAD-POM 2	1				
030		TE00000102	PHILLIPS HEAD SCREW M3X14	1				
031		TE00000256	TAPPING SCREW 3X8	2				
032		TE00000277	SHAKE HEAD -CONNECTION IRON	1				
033		TE00000387	CONTROLLER	1				
034		TE00000388	SCREW 3X10	4				
035		TE00000407	CABLE TIE	1				
036		TE00000090	POM FLAT WASHER 16	1				
037		TE00000018	ADAPTER SOCKET CAP	1				
038		TE00000389	ADAPTOR PLATE(BLUE)	1				
039		TE00000390	DC CHARGE BASE	1				
040		TE00000274	SHAKE HEAD-POM 1	1				
041		TE00000276	NUT M8	1				
042		TE00000263	CLAMPING PARTS OF BATTERY TOUC	1				
043		TE00000247	TERMINAL	1				
044		TE00000391	BATTERY HOUSING	1				
045		TE00000394	LEAD UNIT	1				
046		TE00000392	LOWER COVER OF THE BASE	1				
047		TE00000402	RATING LABEL	1				
048		TE00000069	LOCKNUT M10	1				
049		TE00000370	CIRCLIP M3	1				
052		TE00000408	WASHER	1				
053		TE00000028	TAPPING SCREW 3X14	2				
054		TE00000028	TAPPING SCREW 3X14	3				
055		TE00000028	TAPPING SCREW 3X14	8				
056		TE00000028	TAPPING SCREW 3X14	4				
057		TE00000028	TAPPING SCREW 3X14	4				
058		TE00000028	TAPPING SCREW 3X14	4				
059		TE00000028	TAPPING SCREW 3X14	8				

A:

Interchange

O : Yes

X : No

< : the new part can be substituted for the current.

> : the current part can be substituted for the new.

S : Interchangeable as a set.