



TH	THAILAND
----	----------

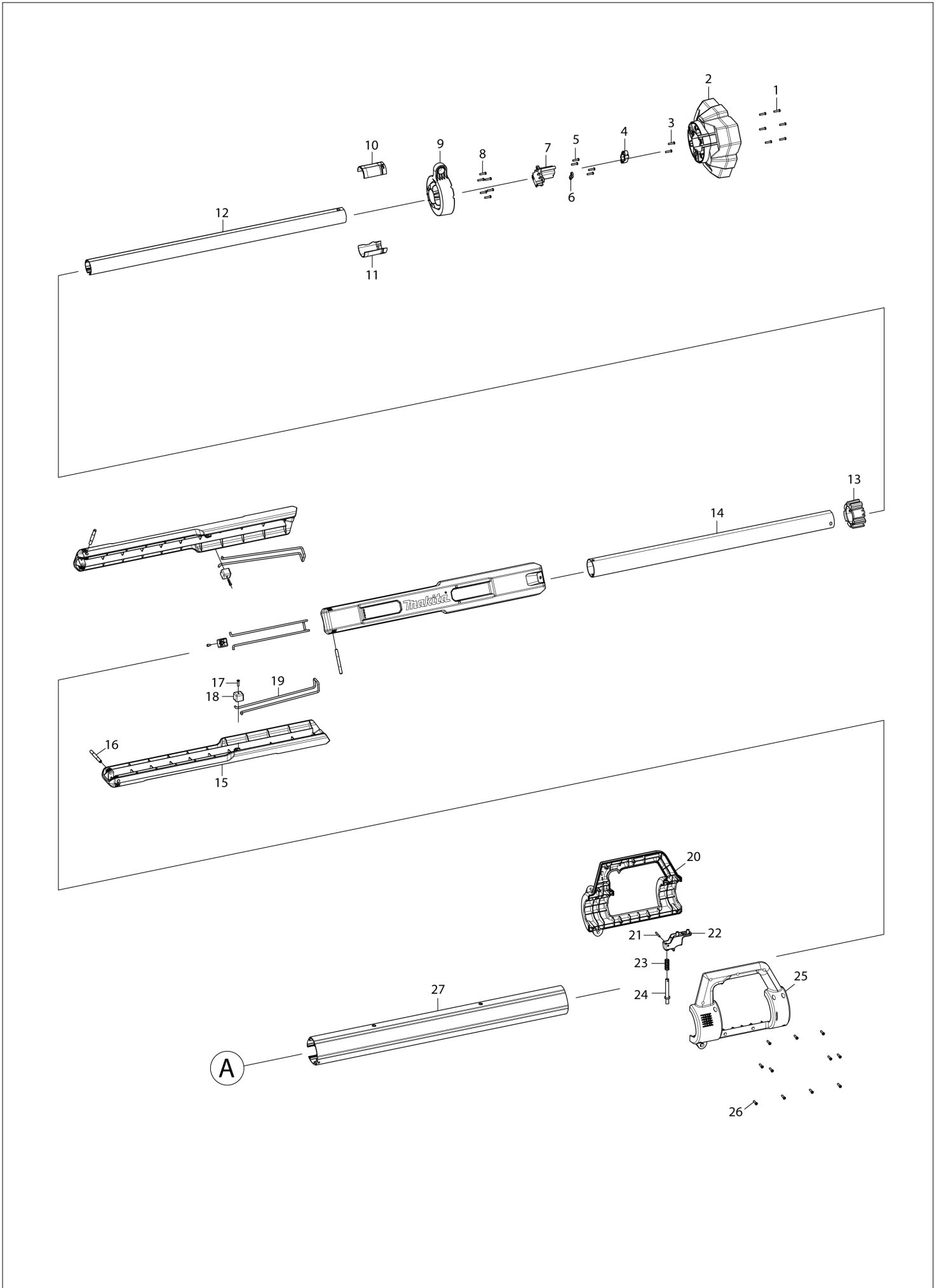
Diagram / Parts List

DML814

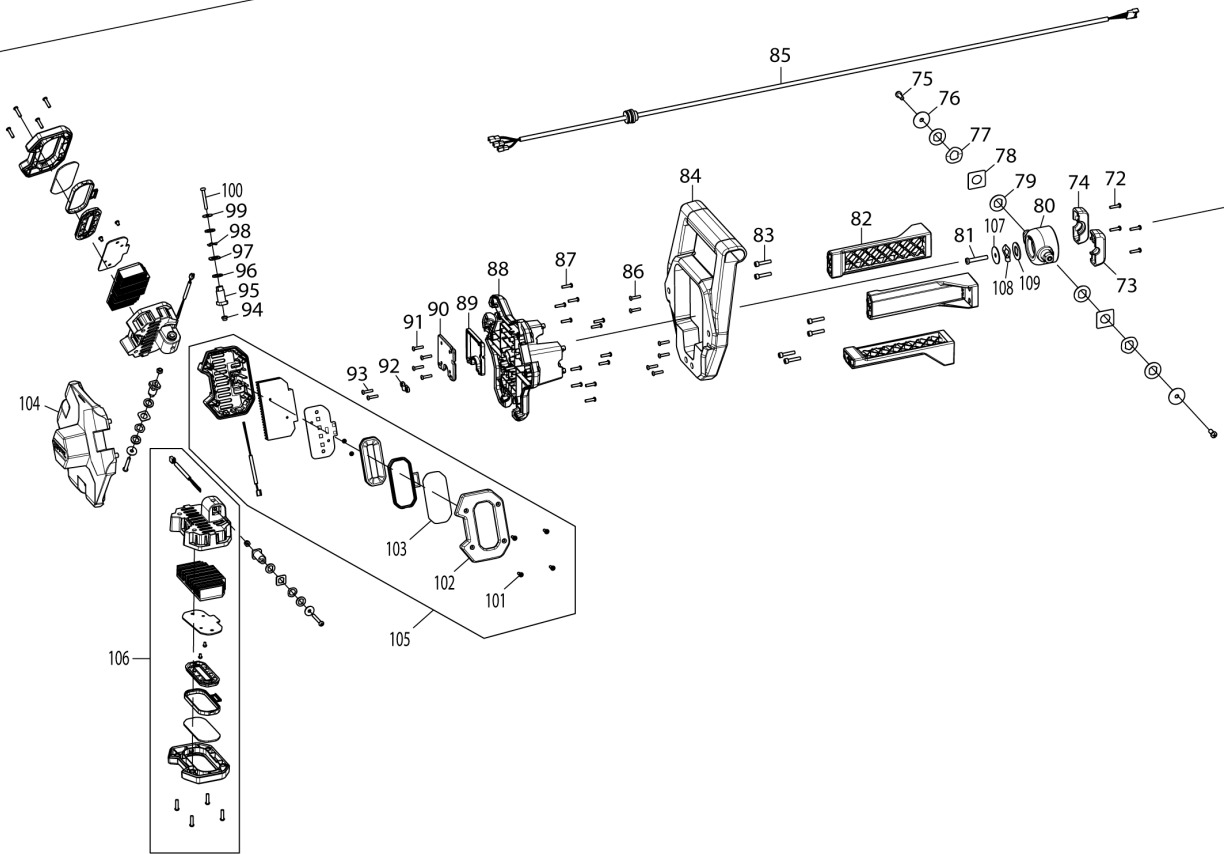
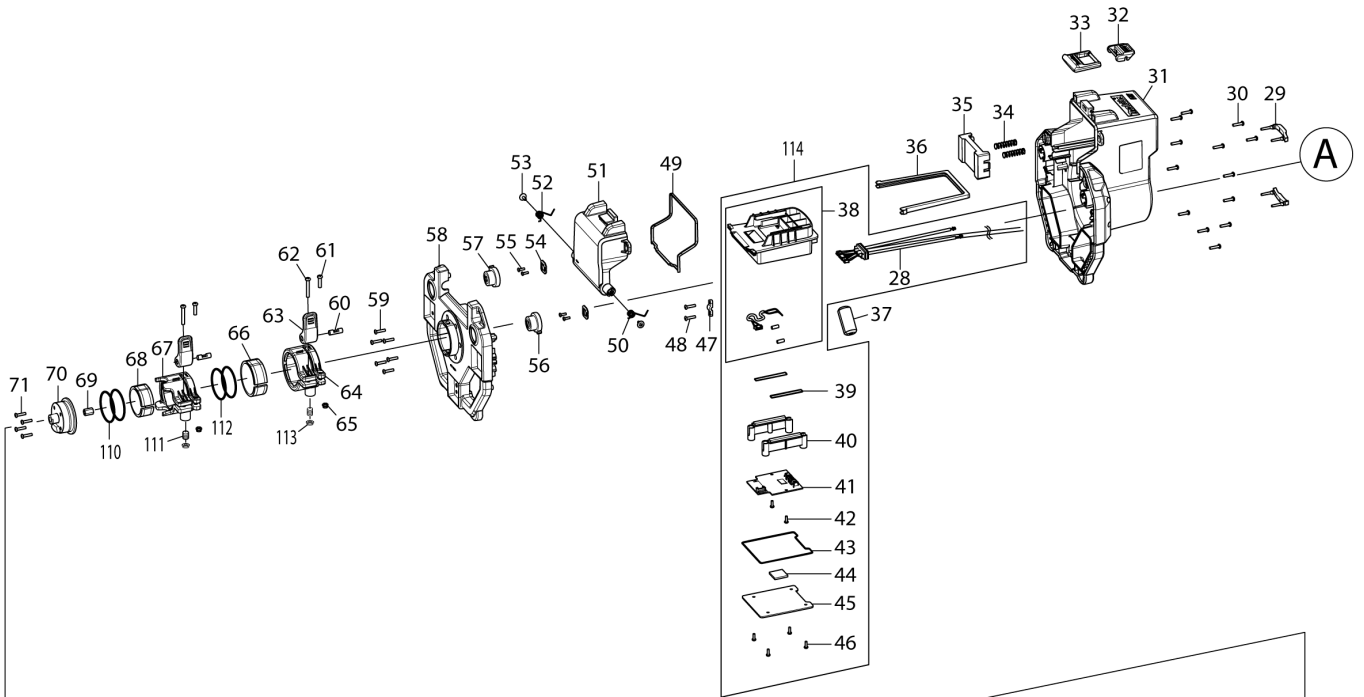
CORDLESS WORKLIGHT



(TH) DML814 / CORDLESS WORKLIGHT



(TH) DML814 / CORDLESS WORKLIGHT



TH	THAILAND
----	----------

DML814 / CORDLESS WORKLIGHT

Item	Sub	Parts No.	Parts Description	Qty	I/C	E/C No.	Close No.	Remark
001		TD00000015	TAPPING SCREW PB3.5X14	6				
002		TD00000016	REAR BASE	1				
003		TD00000015	TAPPING SCREW PB3.5X14	2				
004		TD00000017	CABLE COVER	1				
005		TD00000015	TAPPING SCREW PB3.5X14	4				
006		TD00000018	CORD CLAMP	1				
007		TD00000019	REAR FOOT L	1				
008		TD00000015	TAPPING SCREW PB3.5X14	6				
009		TD00000020	FRONT BASE	1				
010		TD00000021	SLEEVE R	1				
011		TD00000022	SLEEVE L	1				
012		TD00000023	POLE B	1				
013		TD00000024	POLE SLEEVE	1				
014		TD00000025	POLE A	1				
015		TD00000026	LEG	3				
016		TD00000027	PIN	3				
017		TD00000015	TAPPING SCREW PB3.5X14	3				
018		TD00000028	CHECK BLOCK	3				
019		TD00000029	LINK	3				
020		TD00000109	HANDLE SET	1				
	D10		INC. 25					
021		TD00000031	PIN	1				
022		TD00000032	RELEASE BUTTON	1				
023		TD00000033	SPRING	1				
024		TD00000034	LATCH	1				
025		TD00000109	HANDLE SET	1				
	D10		INC. 20					
026		TD00000015	TAPPING SCREW PB3.5X14	11				
027		TD00000036	BODY	1				
028		TD00000037	CABLE	1				
029		TD00000038	RUBBER PAD	2				
030		TD00000015	TAPPING SCREW PB3.5X14	13				
031		TD00000039	BATTERY HOUSING	1				
032		TD00000040	LATCH	1				
033		TD00000041	CLIP	1				
034		TD00000042	SPRING	2				
035		TD00000043	PUSH PLATE	1				
036		TD00000044	GASKET	1				
037		TD00000045	MAGNET RING	1				
038		TD00000046	PCBA BOX COMPLETE	1				
039		TD00000047	GASKET	2				
040		TD00000048	DUST COVER	2				
041		TD00000049	MAIN BOARD	1				
042		TD00000050	TAPPING SCREW PB3X8	2				
043		TD00000051	GASKET	1				
044		TD00000052	SILICON SHEET	1				
045		TD00000053	HEATSINK	1				
046		TD00000050	TAPPING SCREW PB3X8	4				
047		TD00000018	CORD CLAMP	1				
048		TD00000015	TAPPING SCREW PB3.5X14	2				
049		TD00000054	GASKET	1				
050		TD00000055	TORSION SPRING	1				
051		TD00000056	BATTERY COVER	1				
052		TD00000057	TORSION SPRING	1				
053		TD00000058	TAPPING SCREW PWB3X8	2				
054		TD00000059	KEY PCBA	2				
055		TD00000050	TAPPING SCREW PB3X8	4				
056		TD00000060	POWER KEY	1				
057		TD00000061	MODE KEY	1				
058		TD00000062	HOUSING COVER	1				
059		TD00000015	TAPPING SCREW PB3.5X14	6				
060		TD00000138	PIN	2				
061		TD00000064	SCREW PM4.0X16	2				
062		TD00000136	SCREW PM4.0X38	2				
063		TD00000066	CLAMP	2				

A:

Interchange
 O : Yes
 X : No
 < : the new part can be substituted for the current.
 > : the current part can be substituted for the new.
 S : Interchangeable as a set.

