



TH	THAILAND
----	----------

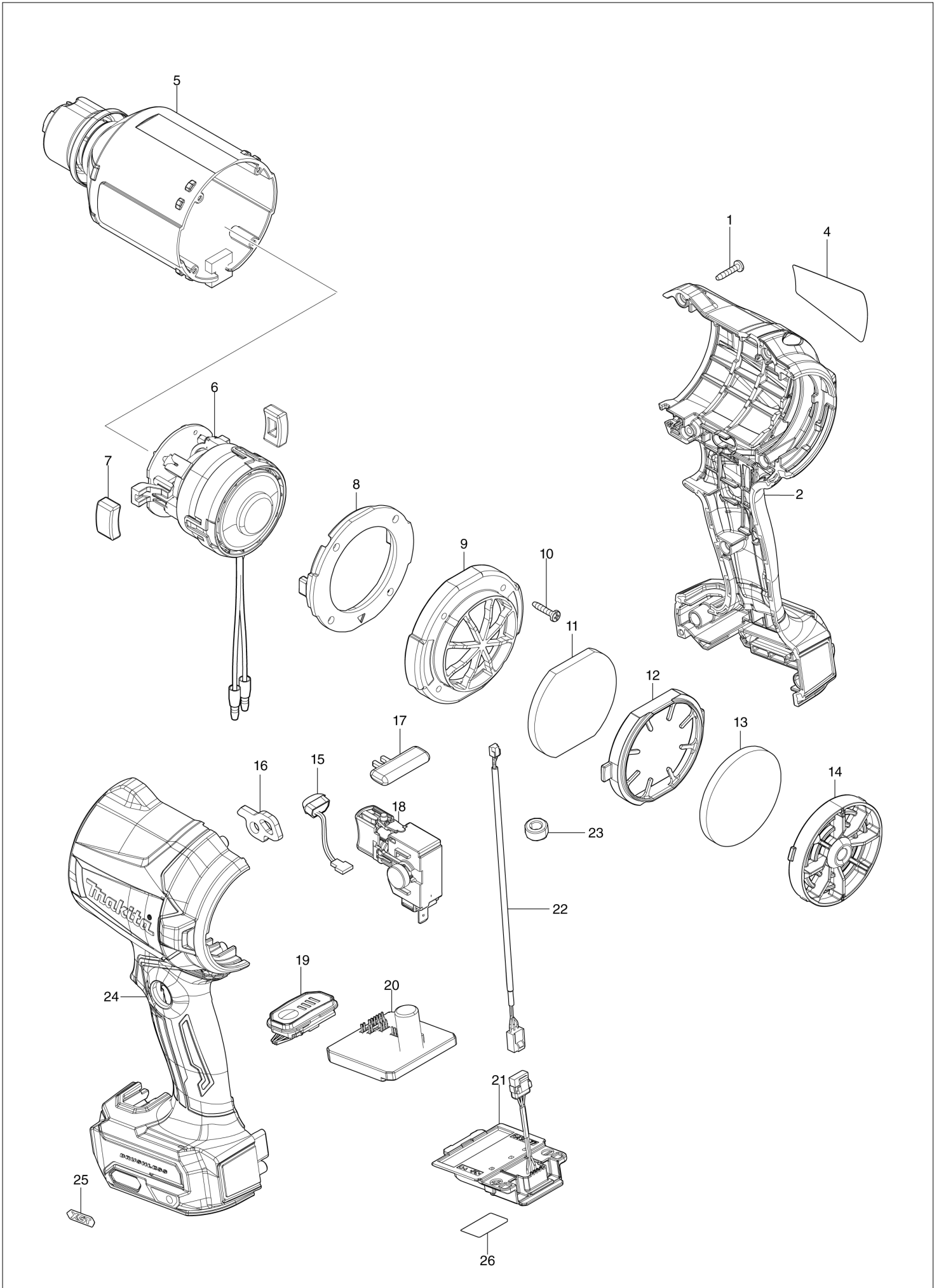
# Diagram / Parts List

**AS001G**

**CORDLESS DUST BLOWER**



(TH) AS001G / CORDLESS DUST BLOWER



<b>TH</b>	<b>THAILAND</b>
-----------	-----------------

### AS001G / CORDLESS DUST BLOWER

Item	Sub	Parts No.	Parts Description	Qty	I/C	E/C No.	Close No.	Remark
001		266130-9	TAPPING SCREW BIND PT 3X16	8				
002		191X75-5	HOUSING L/R SET	1				
	C10	263005-3	RUBBER PIN 6	2				
	C20	252126-6	HEX. LOCK NUT M4-7	2				
	C30	8045T0-0	CAUTION LABEL	1				
	D10		INC. 24					
004		8114A9-6	AS001G NAME PLATE	1				
005		141K56-1	MOTOR HOUSING COMPLETE	1				
	C10	422826-4	SPONGE SHEET	1				
006		629A91-4	MOTOR ASSEMBLY	1				
007		422816-7	MOTOR COVER SEAL	2				
008		422817-5	MOTOR COVER	1				
009		413C47-7	REAR COVER	1				
010		266130-9	TAPPING SCREW BIND PT 3X16	4				
011		422824-8	FILTER A	1				
012		413C49-3	FILTER HOLDER	1				
013		422825-6	FILTER B	1				
014		141G57-5	DUST CAP COMPLETE	1				
	C10	263032-0	RUBBER PIN 4	2				
015		620521-2	LED CIRCUIT	1				
016		347914-5	STRAP RING	1				
017		412697-7	LOCK OFF BUTTON	1				
018		650019-5	SWITCH C3JW-4B-L	1				
019		620G89-0	INDICATION CIRCUIT COMPLETE	1				
	C10	687E52-4	SWITCH PLATE COMPLETE	1				
	C20	266490-9	TAPPING SCREW PT 2X6	3				
020		620G88-2	CONTROLLER	1				
021		632R99-1	TERMINAL UNIT	1				
022		638A30-3	LEAD UNIT	1				
024		191X75-5	HOUSING L/R SET	1				
	C10	263005-3	RUBBER PIN 6	2				
	C20	252126-6	HEX. LOCK NUT M4-7	2				
	C30	8045T0-0	CAUTION LABEL	1				
	D10		INC. 2					
025		8007R2-2	XGT LOGO LABEL	1				
026		8114B6-9	AS001G SERIAL NO. LABEL	1				
A01		191X19-5	WIDE RANGE NOZZLE SET	1				
A02		191X11-1	NOZZLE 3 SET	1				
A03		191X13-7	NOZZLE 7 SET	1				
A04		191X15-3	NOZZLE 13 SET	1				
A05		191X17-9	PINCH VALVE NOZZLE SET	1				
F01		191X11-1	NOZZLE 3 SET	1				
F02		191X13-7	NOZZLE 7 SET	1				
F03		191X15-3	NOZZLE 13 SET	1				
F04		191X17-9	PINCH VALVE NOZZLE SET	1				
F05		191X19-5	WIDE RANGE NOZZLE SET	1				
F06		191X21-8	FLEXIBLE NOZZLE COMPLETE SET	1				
F07		191X23-4	AIR VENT HOSE COMPLETE SET	1				
F08		191X25-0	RUBBER ATTACHMENT 20-30 SET	1				
F09		191X27-6	RUBBER ATTACHMENT 65 SET	1				
F10		191X29-2	FILTER C COMPLETE SET	1				
F11		195779-7	HOOK SET	1				
F12		191X78-9	LONG NOZZLE SET	1				

A:	Interchange O : Yes X : No < : the new part can be substituted for the current. > : the current part can be substituted for the new. S : interchangeable as a set.
----	---