



TH	THAILAND
----	----------

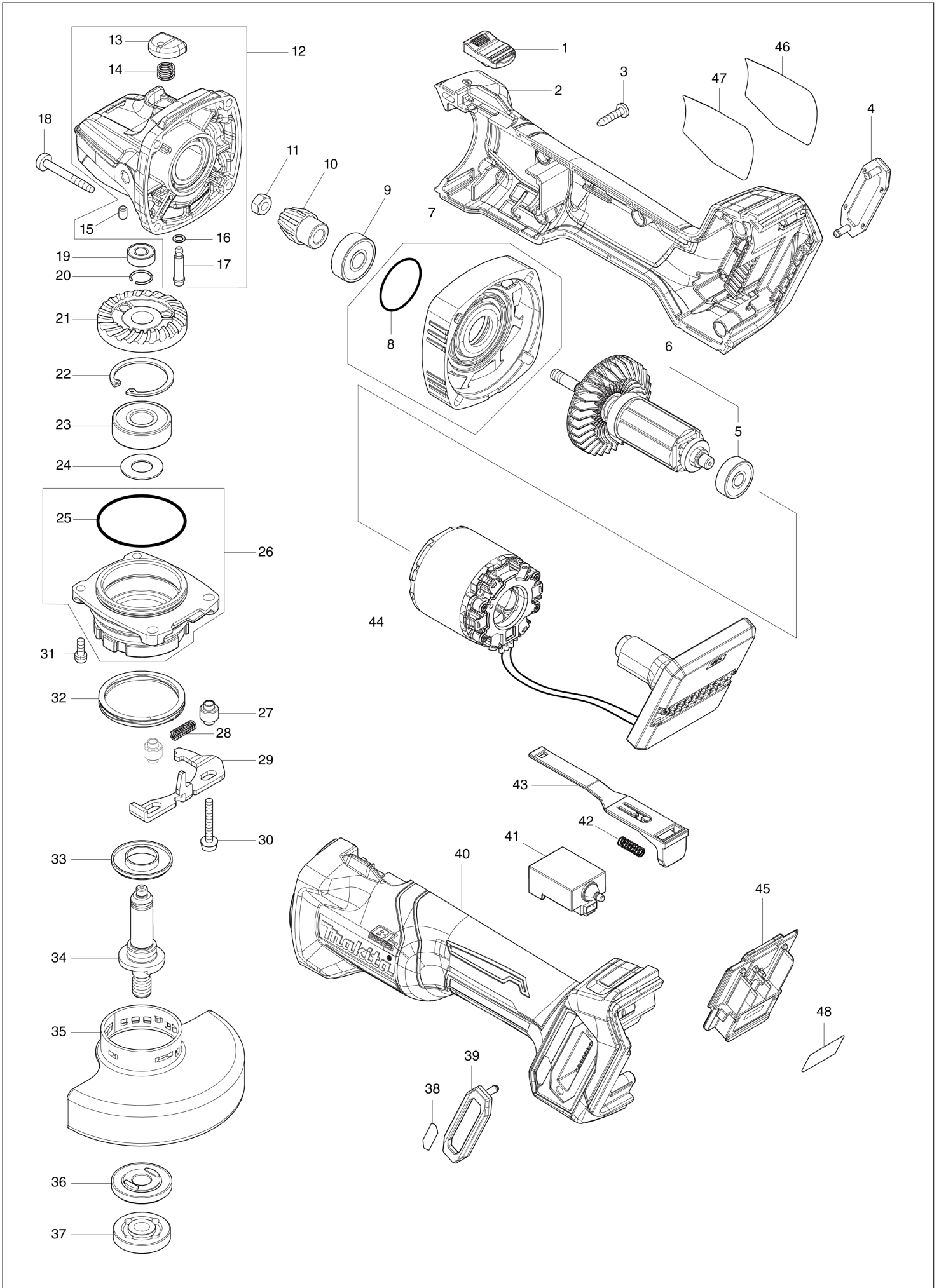
Diagram / Parts List

GA006G

100MM CORDLESS ANGLE GRINDER



(TH) GA006G / 100MM CORDLESS ANGLE GRINDER



TH	THAILAND
----	----------

GA006G / 100MM CORDLESS ANGLE GRINDER

Item	Sub	Parts No.	Parts Description	Qty	I/C	E/C No.	Close No.	Remark
001		455447-7	SWITCH KNOB	1				
002		183N89-8	MOTOR HOUSING SET	1				
	C10	263005-3	RUBBER PIN 6	2				
	D10		INC. 40					
003		266326-2	TAPPING SCREW 4X18	5				
004		422563-0	DUST COVER	1				
005		210023-2	BALL BEARING 627DDW	1				
006		519595-7	ROTOR ASS'Y	1				
	D10		INC. 5					
007		136190-4	GEAR HOUSING COVER ASS'Y	1				
	D10		INC. 8					
008		213445-5	O-RING 26	1				
009		210042-8	BALL BEARING 629LLB	1				
010		226976-5	SPIRAL BEVEL GEAR 10	1				
011		252186-8	HEX. NUT M6	1				
012		136198-8	GEAR HOUSING ASS'Y	1				
	D10		INC. 13-17					
013		412234-7	PIN CAP	1				
014		233072-2	COMPRESSION SPRING 8	1				
015		263002-9	RUBBER PIN 4	1				
016		213960-9	O RING 5	1				
017		256546-6	SHOULDER PIN 4	1				
018		266048-4	TAPPING SCREW 4X40	4				
019		210006-2	BALL BEARING 696ZZ	1				
020		233950-6	RING SPRING 11	1				
021		226862-0	SPIRAL BEVEL GEAR 37	1				
022		962151-6	RETAINING RING R-32	1				
023		211129-9	BALL BEARING 6201DDW	1				
024		253464-9	FLAT WASHER 12	1				
025		213622-9	O RING 45	1			DH534	
025-1		213622-9	O RING 45	1	O	DH534		
026		136196-2	BEARING BOX ASS'Y	1			D3005	
	D10		INC. 25				D3005	
026-1		136261-7	BEARING BOX ASS'Y	1	<	D3005		
	C10	213510-0	O RING 36	1		D3005		
	D10		INC. 25,32			D3005		
027		327322-6	SLEEVE 4	2				
028		232490-1	COMPRESSION SPRING 4	1				
029		347642-2	LEVER A	1				
030		911159-7	PAN HEAD SCREW M4X30	2				
031		911128-8	P.H.SCREW M4X16 WITH WR	2				
032		232542-8	COILED WAVE SPRING 41	1			DH534	
032-1		232542-8	COILED WAVE SPRING 41	1	O	DH534		
033		347640-6	LABYRINTH RING	1				
034		327483-2	SPINDLE	1			Y08148	
034-1		136259-4	SPINDLE ASS'Y	1	<	Y08148		
	D10		INC. 33			Y08148		
035		347478-9	WHEEL COVER 100	1				
036		224314-5	INNER FLANGE 30	1				
037		224559-5	LOCK NUT 10-30	1				
038		8007R2-2	XGT LOGO LABEL	1				
039		422563-0	DUST COVER	1				
040		183N89-8	MOTOR HOUSING SET	1				
	C10	263005-3	RUBBER PIN 6	2				
	D10		INC. 2					
041		651445-1	SWITCH FPM-1130	1				
042		233121-5	COMPRESSION SPRING 4	1				
043		412233-9	SWITCH LEVER	1				
044		629459-8	STATOR COMPLETE	1				
045		632P65-6	TERMINAL UNIT	1				
046		8008U5-3	CLEAR LABEL	1				
047		856U26-4	GA006G NAME PLATE	1				
048		856U27-2	GA006G SERIAL NO. LABEL	1				
A01		158237-4	GRIP 36 COMPLETE	1				
A02		A-80852	GRINDING WHEEL 100X6X16	1				

B:GA006GD201(H)

Interchange
O : Yes
X : No
< : the new part can be substituted for the current.
> : the current part can be substituted for the new.
S : Interchangeable as a set.

