



| | |
|----|----------|
| TH | THAILAND |
|----|----------|

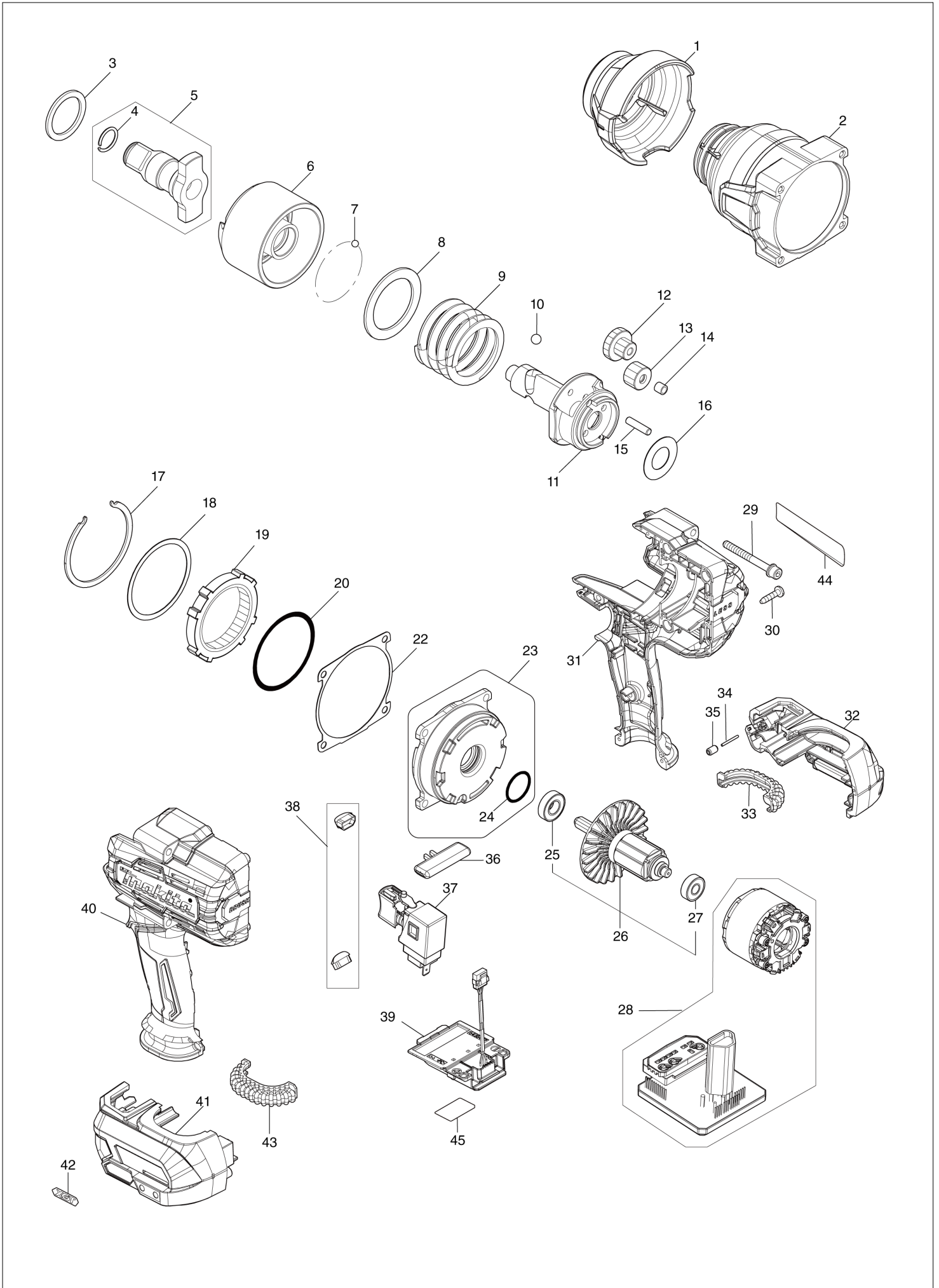
Diagram / Parts List

TW001G

CORDLESS IMPACT WRENCH



(TH) TW001G / CORDLESS IMPACT WRENCH



| | |
|-----------|-----------------|
| TH | THAILAND |
|-----------|-----------------|

TW001G / CORDLESS IMPACT WRENCH

| Item | Sub | Parts No. | Parts Description | Qty | I/C | E/C No. | Close No. | Remark |
|--------|-----|-----------|--------------------------------|-----|-----|---------|-----------|--------|
| 001 | | 422594-9 | BUMPER | 1 | | | | |
| 002 | | 140T99-4 | HAMMER CASE COMPLETE | 1 | | | | |
| 003 | | 267250-2 | FLAT WASHER 30 | 1 | | | | |
| 004 | | 232334-5 | RING SPRING 16 | 1 | | | | |
| 005 | | 136249-7 | ANVIL E ASS'Y | 1 | | | | |
| | D10 | | INC. 4 | | | | | |
| 006 | | 327595-1 | HAMMER | 1 | | | | |
| 007 | | 216002-8 | STEEL BALL 4.8 | 30 | | | | |
| 008 | | 253478-8 | FLAT WASHER 41 | 1 | | | | |
| 009 | | 232623-8 | COMPRESSION SPRING 41 | 1 | | | | |
| 010 | | 216009-4 | STEEL BALL 7.1 | 2 | | | | |
| 011 | | 327594-3 | SPINDLE | 1 | | | | |
| 012 | | 226990-1 | SPUR GEAR 11-22 | 2 | | | | |
| 013A | | 226989-6 | SPUR GEAR 15 | 2 | | | DA671 | |
| 013B | | 226989-6 | SPUR GEAR 15 | 2 | | | DA671 | |
| 013-1A | | 227935-2 | SPUR GEAR 15 | 2 | S | DA671 | | |
| 013-1B | | 227935-2 | SPUR GEAR 15 | 2 | S | DA671 | | |
| 013-1C | | 227935-2 | SPUR GEAR 15 | 2 | | | | |
| 013-1D | | 227935-2 | SPUR GEAR 15 | 2 | | | | |
| 013-1E | | 227935-2 | SPUR GEAR 15 | 2 | | | | |
| 013-1F | | 227935-2 | SPUR GEAR 15 | 2 | | | | |
| 013-1G | | 227935-2 | SPUR GEAR 15 | 2 | | | | |
| 013-1H | | 227935-2 | SPUR GEAR 15 | 2 | | | | |
| 014A | | 257539-6 | SLEEVE 5 | 2 | | | DA671 | |
| 014B | | 257539-6 | SLEEVE 5 | 2 | | | DA671 | |
| 015 | | 268238-5 | PIN 5 | 4 | | | | |
| 016 | | 267235-8 | FLAT WASHER 18 | 1 | | | | |
| 017 | | 346947-7 | RETAINER | 1 | | | | |
| 018 | | 253479-6 | FLAT WASHER 57 | 1 | | | | |
| 019 | | 226991-9 | INTERNAL SPUR GEAR 50 | 1 | | | | |
| 020 | | 213663-5 | O RING 55 | 1 | | | | |
| 022 | | 422595-7 | GASKET | 1 | | | | |
| 023 | | 136279-8 | INTERNAL GEAR CASE ASS'Y | 1 | | | | |
| | D10 | | INC. 24 | | | | | |
| 024 | | 213961-7 | O RING 22 | 1 | | | | |
| 025 | | 210069-8 | BALL BEARING 6900DDW | 1 | | | | |
| 026 | | 519630-1 | ROTOR ASSY | 1 | | | | |
| | D10 | | INC. 25,27 | | | | | |
| 027 | | 211022-7 | BALL BEARING 607ZZ | 1 | | | | |
| 028 | | 629A16-8 | STATOR UNIT | 1 | | | | |
| | C10 | 8012S9-8 | SWITCH LABEL | 1 | | | | |
| 029 | | 265B38-6 | H. S. HEAD BOLT M5X50 WITH WRM | 4 | | | | |
| 030 | | 266326-2 | TAPPING SCREW 4X18 | 9 | | | | |
| 031A | | 183P61-2 | HOUSING SET | 1 | | | DD660 | |
| | D10 | | INC. 40 | | | | DD660 | |
| 031B | | 183P61-2 | HOUSING SET | 1 | | | DD660 | |
| | D10 | | INC. 40 | | | | DD660 | |
| 031-1A | | 183V83-8 | HOUSING SET | 1 | < | DD660 | | |
| | D10 | | INC. 40 | | | DD660 | | |
| 031-1B | | 183V83-8 | HOUSING SET | 1 | < | DD660 | | |
| | D10 | | INC. 40 | | | DD660 | | |
| 031-1C | | 183V83-8 | HOUSING SET | 1 | | | | |
| | D10 | | INC. 40 | | | | | |
| 031-1D | | 183V83-8 | HOUSING SET | 1 | | | | |
| | D10 | | INC. 40 | | | | | |
| 031-1E | | 183V83-8 | HOUSING SET | 1 | | | | |
| | D10 | | INC. 40 | | | | | |
| 031-1F | | 183V83-8 | HOUSING SET | 1 | | | | |
| | D10 | | INC. 40 | | | | | |
| 031-1G | | 183V83-8 | HOUSING SET | 1 | | | | |
| | D10 | | INC. 40 | | | | | |
| 031-1H | | 183V83-8 | HOUSING SET | 1 | | | | |
| | D10 | | INC. 40 | | | | | |
| 032A | | 183P62-0 | BATTERY HOUSING SET | 1 | | | N14628 | |
| | C10 | 263005-3 | RUBBER PIN 6 | 2 | | | N14628 | |

A:TW001GZ(N) G:TW001GD104(H)
 B:TW001GM201(H) H:TW001GM103(H)
 C:TW001GD101(H)
 D:TW001GM101(H)
 E:TW001GZ02(N)
 F:TW001GM204(H)

Interchange
 O : Yes
 X : No
 < : the new part can be substituted for the current.
 > : the current part can be substituted for the new.
 S : Interchangeable as a set.

| | |
|-----------|-----------------|
| TH | THAILAND |
|-----------|-----------------|

TW001G / CORDLESS IMPACT WRENCH

| Item | Sub | Parts No. | Parts Description | Qty | I/C | E/C No. | Close No. | Remark |
|--------|-----|-----------|---------------------|-----|-----|---------|-----------|--------|
| | C20 | 252126-6 | HEX. LOCK NUT M4-7 | 4 | | | N14628 | |
| | D10 | | INC. 41 | | | | N14628 | |
| 032B | | 183P62-0 | BATTERY HOUSING SET | 1 | | | N14628 | |
| | C10 | 263005-3 | RUBBER PIN 6 | 2 | | | N14628 | |
| | C20 | 252126-6 | HEX. LOCK NUT M4-7 | 4 | | | N14628 | |
| | D10 | | INC. 41 | | | | N14628 | |
| 032-1A | | 183S33-5 | BATTERY HOUSING SET | 1 | S | N14628 | | |
| | C10 | 263005-3 | RUBBER PIN 6 | 2 | | N14628 | | |
| | C20 | 252126-6 | HEX. LOCK NUT M4-7 | 4 | | N14628 | | |
| | D10 | | INC. 41 | | | N14628 | | |
| 032-1B | | 183S33-5 | BATTERY HOUSING SET | 1 | S | N14628 | | |
| | C10 | 263005-3 | RUBBER PIN 6 | 2 | | N14628 | | |
| | C20 | 252126-6 | HEX. LOCK NUT M4-7 | 4 | | N14628 | | |
| | D10 | | INC. 41 | | | N14628 | | |
| 032-1C | | 183S33-5 | BATTERY HOUSING SET | 1 | | | | |
| | C10 | 263005-3 | RUBBER PIN 6 | 2 | | | | |
| | C20 | 252126-6 | HEX. LOCK NUT M4-7 | 4 | | | | |
| | D10 | | INC. 41 | | | | | |
| 032-1D | | 183S33-5 | BATTERY HOUSING SET | 1 | | | | |
| | C10 | 263005-3 | RUBBER PIN 6 | 2 | | | | |
| | C20 | 252126-6 | HEX. LOCK NUT M4-7 | 4 | | | | |
| | D10 | | INC. 41 | | | | | |
| 032-1E | | 183S33-5 | BATTERY HOUSING SET | 1 | | | | |
| | C10 | 263005-3 | RUBBER PIN 6 | 2 | | | | |
| | C20 | 252126-6 | HEX. LOCK NUT M4-7 | 4 | | | | |
| | D10 | | INC. 41 | | | | | |
| 032-1F | | 183S33-5 | BATTERY HOUSING SET | 1 | | | | |
| | C10 | 263005-3 | RUBBER PIN 6 | 2 | | | | |
| | C20 | 252126-6 | HEX. LOCK NUT M4-7 | 4 | | | | |
| | D10 | | INC. 41 | | | | | |
| 032-1G | | 183S33-5 | BATTERY HOUSING SET | 1 | | | | |
| | C10 | 263005-3 | RUBBER PIN 6 | 2 | | | | |
| | C20 | 252126-6 | HEX. LOCK NUT M4-7 | 4 | | | | |
| | D10 | | INC. 41 | | | | | |
| 032-1H | | 183S33-5 | BATTERY HOUSING SET | 1 | | | | |
| | C10 | 263005-3 | RUBBER PIN 6 | 2 | | | | |
| | C20 | 252126-6 | HEX. LOCK NUT M4-7 | 4 | | | | |
| | D10 | | INC. 41 | | | | | |
| 033A | | 424773-5 | CUSHION RUBBER | 1 | | | DC149 | |
| 033B | | 424773-5 | CUSHION RUBBER | 1 | | | DC149 | |
| 033-1A | | 422810-9 | CUSHION RUBBER | 1 | < | DC149 | | |
| 033-1B | | 422810-9 | CUSHION RUBBER | 1 | < | DC149 | | |
| 033-1C | | 422810-9 | CUSHION RUBBER | 1 | | | | |
| 033-1D | | 422810-9 | CUSHION RUBBER | 1 | | | | |
| 033-1E | | 422810-9 | CUSHION RUBBER | 1 | | | | |
| 033-1F | | 422810-9 | CUSHION RUBBER | 1 | | | | |
| 033-1G | | 422810-9 | CUSHION RUBBER | 1 | | | | |
| 033-1H | | 422810-9 | CUSHION RUBBER | 1 | | | | |
| 034A | | 268284-8 | PIN 1.5 | 1 | | | D4478 | |
| 034B | | 268284-8 | PIN 1.5 | 1 | | | D4478 | |
| 035A | | 263036-2 | RUBBER PIN 5 | 1 | | | D4478 | |
| 035B | | 263036-2 | RUBBER PIN 5 | 1 | | | D4478 | |
| 036 | | 456268-0 | F/R CHANGE LEVER | 1 | | | | |
| 037 | | 140U03-9 | SWITCH COMPLETE | 1 | | | | |
| | C10 | 424774-3 | SWITCH COVER | 1 | | | | |
| 038 | | 620D09-6 | LED CIRCUIT | 1 | | | | |
| 039 | | 632P49-4 | TERMINAL UNIT | 1 | | | | |
| 040A | | 183P61-2 | HOUSING SET | 1 | | | DD660 | |
| | D10 | | INC. 31 | | | | DD660 | |
| 040B | | 183P61-2 | HOUSING SET | 1 | | | DD660 | |
| | D10 | | INC. 31 | | | | DD660 | |
| 040-1A | | 183V83-8 | HOUSING SET | 1 | < | DD660 | | |
| | D10 | | INC. 31 | | | DD660 | | |
| 040-1B | | 183V83-8 | HOUSING SET | 1 | < | DD660 | | |
| | D10 | | INC. 31 | | | DD660 | | |

A:TW001GZ(N) G:TW001GD104(H)
 B:TW001GM201(H) H:TW001GM103(H)
 C:TW001GD101(H)
 D:TW001GM101(H)
 E:TW001GZ02(N)
 F:TW001GM204(H)

Interchange
 O : Yes
 X : No
 < : the new part can be substituted for the current.
 > : the current part can be substituted for the new.
 S : Interchangeable as a set.

| | |
|-----------|-----------------|
| TH | THAILAND |
|-----------|-----------------|

TW001G / CORDLESS IMPACT WRENCH

| Item | Sub | Parts No. | Parts Description | Qty | I/C | E/C No. | Close No. | Remark |
|--------|-----|-----------|---------------------|-----|-----|---------|-----------|--------|
| 040-1C | | 183V83-8 | HOUSING SET | 1 | | | | |
| | D10 | | INC. 31 | | | | | |
| 040-1D | | 183V83-8 | HOUSING SET | 1 | | | | |
| | D10 | | INC. 31 | | | | | |
| 040-1E | | 183V83-8 | HOUSING SET | 1 | | | | |
| | D10 | | INC. 31 | | | | | |
| 040-1F | | 183V83-8 | HOUSING SET | 1 | | | | |
| | D10 | | INC. 31 | | | | | |
| 040-1G | | 183V83-8 | HOUSING SET | 1 | | | | |
| | D10 | | INC. 31 | | | | | |
| 040-1H | | 183V83-8 | HOUSING SET | 1 | | | | |
| | D10 | | INC. 31 | | | | | |
| 041A | | 183P62-0 | BATTERY HOUSING SET | 1 | | | N14628 | |
| | C10 | 263005-3 | RUBBER PIN 6 | 2 | | | N14628 | |
| | C20 | 252126-6 | HEX. LOCK NUT M4-7 | 4 | | | N14628 | |
| | D10 | | INC. 32 | | | | N14628 | |
| 041B | | 183P62-0 | BATTERY HOUSING SET | 1 | | | N14628 | |
| | C10 | 263005-3 | RUBBER PIN 6 | 2 | | | N14628 | |
| | C20 | 252126-6 | HEX. LOCK NUT M4-7 | 4 | | | N14628 | |
| | D10 | | INC. 32 | | | | N14628 | |
| 041-1A | | 183S33-5 | BATTERY HOUSING SET | 1 | S | N14628 | | |
| | C10 | 263005-3 | RUBBER PIN 6 | 2 | | N14628 | | |
| | C20 | 252126-6 | HEX. LOCK NUT M4-7 | 4 | | N14628 | | |
| | D10 | | INC. 32 | | | N14628 | | |
| 041-1B | | 183S33-5 | BATTERY HOUSING SET | 1 | S | N14628 | | |
| | C10 | 263005-3 | RUBBER PIN 6 | 2 | | N14628 | | |
| | C20 | 252126-6 | HEX. LOCK NUT M4-7 | 4 | | N14628 | | |
| | D10 | | INC. 32 | | | N14628 | | |
| 041-1C | | 183S33-5 | BATTERY HOUSING SET | 1 | | | | |
| | C10 | 263005-3 | RUBBER PIN 6 | 2 | | | | |
| | C20 | 252126-6 | HEX. LOCK NUT M4-7 | 4 | | | | |
| | D10 | | INC. 32 | | | | | |
| 041-1D | | 183S33-5 | BATTERY HOUSING SET | 1 | | | | |
| | C10 | 263005-3 | RUBBER PIN 6 | 2 | | | | |
| | C20 | 252126-6 | HEX. LOCK NUT M4-7 | 4 | | | | |
| | D10 | | INC. 32 | | | | | |
| 041-1E | | 183S33-5 | BATTERY HOUSING SET | 1 | | | | |
| | C10 | 263005-3 | RUBBER PIN 6 | 2 | | | | |
| | C20 | 252126-6 | HEX. LOCK NUT M4-7 | 4 | | | | |
| | D10 | | INC. 32 | | | | | |
| 041-1F | | 183S33-5 | BATTERY HOUSING SET | 1 | | | | |
| | C10 | 263005-3 | RUBBER PIN 6 | 2 | | | | |
| | C20 | 252126-6 | HEX. LOCK NUT M4-7 | 4 | | | | |
| | D10 | | INC. 32 | | | | | |
| 041-1G | | 183S33-5 | BATTERY HOUSING SET | 1 | | | | |
| | C10 | 263005-3 | RUBBER PIN 6 | 2 | | | | |
| | C20 | 252126-6 | HEX. LOCK NUT M4-7 | 4 | | | | |
| | D10 | | INC. 32 | | | | | |
| 041-1H | | 183S33-5 | BATTERY HOUSING SET | 1 | | | | |
| | C10 | 263005-3 | RUBBER PIN 6 | 2 | | | | |
| | C20 | 252126-6 | HEX. LOCK NUT M4-7 | 4 | | | | |
| | D10 | | INC. 32 | | | | | |
| 042A | | 8005T5-8 | XGT LOGO LABEL | 1 | | | N14628 | |
| 042B | | 8005T5-8 | XGT LOGO LABEL | 1 | | | N14628 | |
| 043A | | 424773-5 | CUSHION RUBBER | 1 | | | DC149 | |
| 043B | | 424773-5 | CUSHION RUBBER | 1 | | | DC149 | |
| 043-1A | | 422810-9 | CUSHION RUBBER | 1 | < | DC149 | | |
| 043-1B | | 422810-9 | CUSHION RUBBER | 1 | < | DC149 | | |
| 043-1C | | 422810-9 | CUSHION RUBBER | 1 | | | | |
| 043-1D | | 422810-9 | CUSHION RUBBER | 1 | | | | |
| 043-1E | | 422810-9 | CUSHION RUBBER | 1 | | | | |
| 043-1F | | 422810-9 | CUSHION RUBBER | 1 | | | | |
| 043-1G | | 422810-9 | CUSHION RUBBER | 1 | | | | |
| 043-1H | | 422810-9 | CUSHION RUBBER | 1 | | | | |
| 044 | | 857G20-5 | TW001G NAME PLATE | 1 | | | | |

A:TW001GZ(N) G:TW001GD104(H)
 B:TW001GM201(H) H:TW001GM103(H)
 C:TW001GD101(H)
 D:TW001GM101(H)
 E:TW001GZ02(N)
 F:TW001GM204(H)

Interchange
 O : Yes
 X : No
 < : the new part can be substituted for the current.
 > : the current part can be substituted for the new.
 S : Interchangeable as a set.

