



TH	THAILAND
----	----------

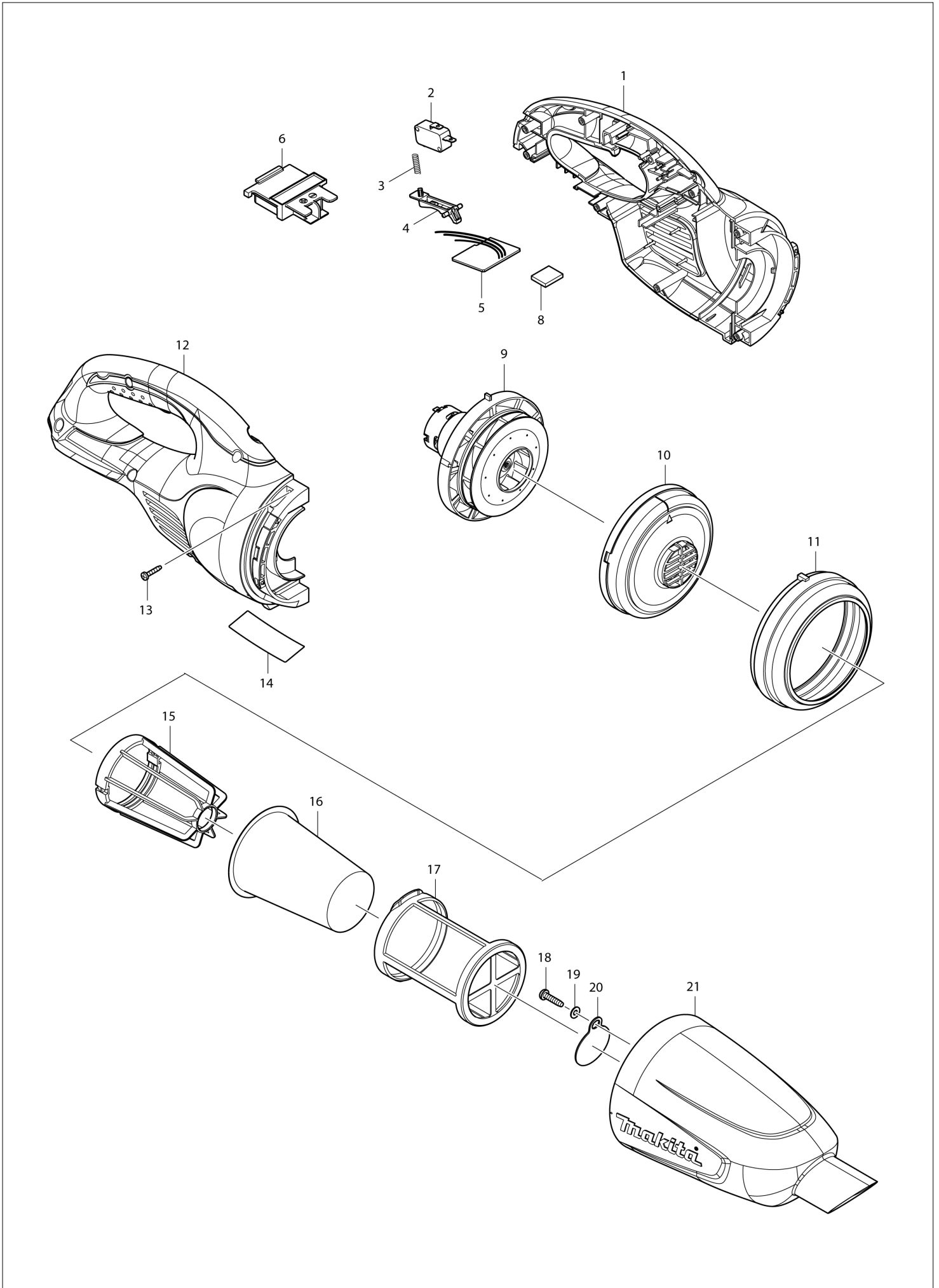
Diagram / Parts List

DCL180

CORDLESS CLEANER



(TH) DCL180 / CORDLESS CLEANER



TH	THAILAND
----	----------

DCL180 / CORDLESS CLEANER

Item	Sub	Parts No.	Parts Description	Qty	I/C	E/C No.	Close No.	Remark
001B		187458-1	HOUSING SET	1				
001C		187458-1	HOUSING SET	1				
001D		183E54-3	HOUSING SET	1				
	C10	424209-4	SPONGE SHEET 50-50	2				
	D10		INC. 12					
002		651891-8	SWITCH V-15-3A6	1				
003		231473-8	COMPRESSION SPRING 4	1				
004		451227-9	SWITCH LEVER	1				
005		638936-9	CONTROLLER UNIT	1				
	C20	654086-2	RECEPTACLE	3		DE372		
006		643860-3	TERMINAL	1				
008		424248-4	SPONGE SHEET 15-25	1				
009		125867-6	MOTOR ASS'Y	1				
	C10	452455-9	BASE	1				
	C20	265199-0	+ PAN HEAD SCREW M3X8	2				
	C30	240102-2	FAN 82	1				
010		416030-5	FAN COVER	1				
011		424320-2	RUBBER RING	1				
012B		187458-1	HOUSING SET	1				
012C		187458-1	HOUSING SET	1				
012D		183E54-3	HOUSING SET	1				
	C10	424209-4	SPONGE SHEET 50-50	2				
	D10		INC. 1					
013		266429-2	TAPPING SCREW 3X16	7				
014		815F73-4	DCL180 NAME PLATE	1				
015B		410237-5	STAY	1			C1159	
015-1B		458467-0	STAY	1	<	C1159		
015-1C		458467-0	STAY	1				
015-1D		458467-0	STAY	1				
016B		443060-3	FILTER	1			C6488	
017B		451208-3	PRE-FILTER	1			C6488	
017-1B		455176-2	EASY SHAKE OFF FILTER	1	S	C6488		
017-1C		455176-2	EASY SHAKE OFF FILTER	1				
017-1D		455176-2	EASY SHAKE OFF FILTER	1				
018		265995-6	TAPPING SCREW 4X18	1			DG793	
018-1		251530-6	TAPPING SCREW 4X18	1	S	DG793		
019		941051-3	FLAT WASHER 4	1			DG793	
020		424208-6	VALVE	1				
021B		451235-0	CAPSULE	1				
021C		456196-9	CAPSULE	1				
021D		456196-9	CAPSULE	1				
022		424308-2	SPONGE SHEET 50-36	1				
023B		632H18-7	FUSE UNIT	1		B2684		
023C		632H18-7	FUSE UNIT	1				
023D		632H18-7	FUSE UNIT	1				
024B		422268-2	SPONGE SHEET 57	1		C1159		
024C		422268-2	SPONGE SHEET 57	1				
024D		422268-2	SPONGE SHEET 57	1				
A01B		122859-6	NOZZLE ASS'Y	1			A9870	
	C10	451410-8	ROLLER	4			A9870	
	C20	268208-4	PIN 3	4			A9870	
	C30	424096-1	WIPER	1			A9870	
A01-1B		123488-8	FLOOR T-NOZZLE 28 BLU	1	<	A9870		
	C10	451410-8	ROLLER	4		A9870		
	C20	268208-4	PIN 3	4		A9870		
	C30	424096-1	WIPER	1		A9870	DE874	
A01-1C		123488-8	FLOOR T-NOZZLE 28 BLU	1				
	C10	451410-8	ROLLER	4				
	C20	268208-4	PIN 3	4				
	C30	424096-1	WIPER	1			DE874	
A01-1D		123539-7	FLOOR T-NOZZLE 28 BLA	1				
	C10	451410-8	ROLLER	4				
	C20	268208-4	PIN 3	4				
	C30	424096-1	WIPER	1			DE874	
	C31	422963-4	WIPER	1	O	DE874		

B:DCL180Z(N)
C:DCL180ZX(N)
D:DCL180ZB(N)

Interchange
O : Yes
X : No
< : the new part can be substituted for the current.
> : the current part can be substituted for the new.
S : Interchangeable as a set.

