



TH	THAILAND
----	----------

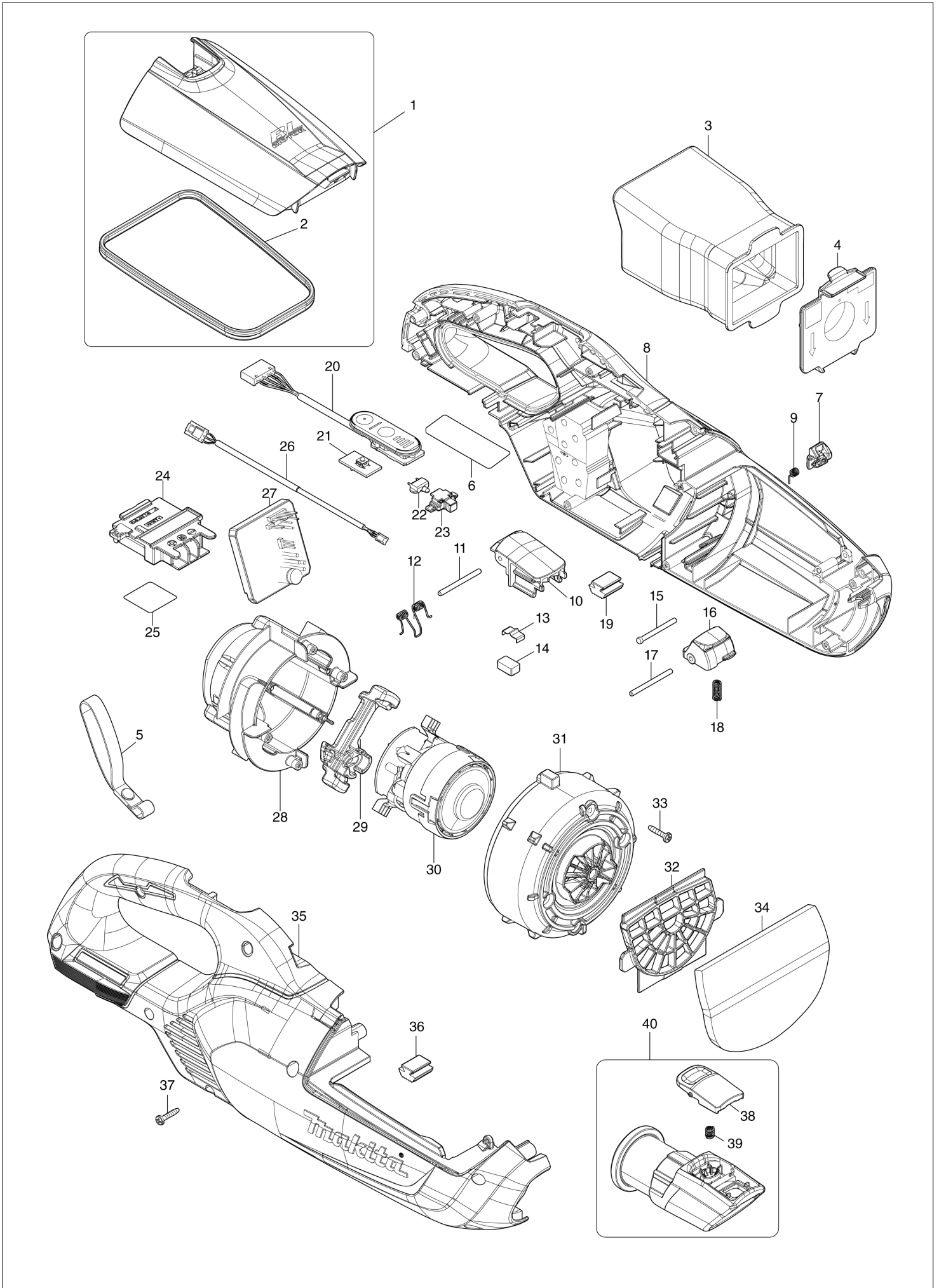
Diagram / Parts List

DCL285F

CORDLESS CLEANER



(TH) DCL285F / CORDLESS CLEANER



TH	THAILAND
----	----------

DCL285F / CORDLESS CLEANER

Item	Sub	Parts No.	Parts Description	Qty	I/C	E/C No.	Close No.	Remark
001A		136907-5	FRONT COVER ASSEMBLY	1				
001B		136907-5	FRONT COVER ASSEMBLY	1				
001C		136906-7	FRONT COVER ASSEMBLY	1				
001D		136906-7	FRONT COVER ASSEMBLY	1				
001E		136908-3	FRONT COVER ASSEMBLY	1				
001F		136908-3	FRONT COVER ASSEMBLY	1				
	D10		INC. 2					
002		424093-7	SEAL	1				
003		1910M4-5	HIGH PERFORMANCE DUST BAG SET	1				
004		140K23-3	VALVE STAY COMPLETE	1				
005		163400-6	HANDSTRAP	1				
006		8588J6-8	DCL285F NAME PLATE	1				
007A		459352-0	STOPPER PLATE	1				
007B		459352-0	STOPPER PLATE	1				
007C		459327-9	STOPPER PLATE	1				
007D		459327-9	STOPPER PLATE	1				
007E		459302-5	STOPPER PLATE	1				
007F		459302-5	STOPPER PLATE	1				
008A		183Y69-0	HOUSING SET	1				
008B		183Y69-0	HOUSING SET	1				
008C		183Y53-5	HOUSING SET	1				
008D		183Y53-5	HOUSING SET	1				
008E		183Y70-5	HOUSING SET	1				
008F		183Y70-5	HOUSING SET	1				
	C10	263005-3	RUBBER PIN 6	2				
	C20	422974-9	SPONGE SHEET	2				
	D10		INC. 19,35,36					
009		232484-6	TORSION SPRING 4	1				
010A		459350-4	FRONT COVER JOINT	1				
010B		459350-4	FRONT COVER JOINT	1				
010C		459330-0	FRONT COVER JOINT	1				
010D		459330-0	FRONT COVER JOINT	1				
010E		459351-2	FRONT COVER JOINT	1				
010F		459351-2	FRONT COVER JOINT	1				
011		268271-7	PIN 3	1				
012		233580-3	TORSION SPRING 4	1				
013		232264-0	LEAF SPRING	1				
014		424367-6	RUBBER	1				
015		256590-3	FLAT FILLISTER HD. PIN 3	1				
016A		459348-1	BUTTON B	1				
016B		459348-1	BUTTON B	1				
016C		459329-5	BUTTON B	1				
016D		459329-5	BUTTON B	1				
016E		459349-9	BUTTON B	1				
016F		459349-9	BUTTON B	1				
017		268271-7	PIN 3	1				
018		233344-5	COMPRESSION SPRING 4	1				
019		422460-0	RUBBER PLATE	1				
020		141B54-1	INDICATION CIRCUIT COMPLETE	1				
021		620E74-1	SWITCH UNIT	1				
022		620E82-2	LED CIRCUIT	1				
023		141H09-2	LED CASE COMPLETE	1				
024		643874-2	TERMINAL	1				
025		8588K4-9	DCL285F SERIAL NO. LABEL	1				
026		632S32-9	LEAD UNIT	1				
027		620L19-1	CONTROLLER	1				
028		141E55-7	MOTOR COVER R COMPLETE	1				
	C10	263002-9	RUBBER PIN 4	4				
029		422723-4	MOTOR COVER SEAL	1				
030		629B87-1	MOTOR ASSEMBLY	1				
031		413645-9	MOTOR COVER F	1				
032		413J77-0	GUARD	1				
033		266429-2	TAPPING SCREW 3X16	4				
034		424804-0	SPONGE SHEET 76-110	1				
035A		183Y69-0	HOUSING SET	1				

A:DCL285FZ(N)
 B:DCL285FRF(H)
 C:DCL285FZW(N)
 D:DCL285FRFW(H)
 E:DCL285FZB(N)
 F:DCL285FRFB(H)

Interchange
 O : Yes
 X : No
 < : the new part can be substituted for the current.
 > : the current part can be substituted for the new.
 S : Interchangeable as a set.

TH	THAILAND
----	----------

DCL285F / CORDLESS CLEANER

Item	Sub	Parts No.	Parts Description	Qty	I/C	E/C No.	Close No.	Remark
035B		183Y69-0	HOUSING SET	1				
035C		183Y53-5	HOUSING SET	1				
035D		183Y53-5	HOUSING SET	1				
035E		183Y70-5	HOUSING SET	1				
035F		183Y70-5	HOUSING SET	1				
	C10	263005-3	RUBBER PIN 6	2				
	C20	422974-9	SPONGE SHEET	2				
	D10		INC. 8,19,36					
036		422460-0	RUBBER PLATE	1				
037		266429-2	TAPPING SCREW 3X16	9				
038		413F33-6	BUTTON C	1				
039		232485-4	COMPRESSION SPRING 5	1				
040A		136587-7	INLET ASS'Y	1				
040B		136587-7	INLET ASS'Y	1				
040C		136585-1	INLET ASS'Y	1				
040D		136585-1	INLET ASS'Y	1				
040E		136586-9	INLET ASS'Y	1				
040F		136586-9	INLET ASS'Y	1				
	C10	424094-5	PACKING	1				
	D10		INC. 38,39					
A01A		127827-4	NOZZLE ASSEMBLY	1				
A01B		127827-4	NOZZLE ASSEMBLY	1				
A01C		127825-8	NOZZLE ASSEMBLY	1				
A01D		127825-8	NOZZLE ASSEMBLY	1				
A01E		127828-2	NOZZLE ASSEMBLY	1				
A01F		127828-2	NOZZLE ASSEMBLY	1				
	C10	268208-4	PIN 3	4				
	C20	451410-8	ROLLER	4				
	C30	422963-4	WIPER	1				
A02		198745-3	PAPER FILTER SET	1				
A03A		413859-0	SASH NOZZLE	1				
A03B		413859-0	SASH NOZZLE	1				
A03C		413770-6	SASH NOZZLE	1				
A03D		413770-6	SASH NOZZLE	1				
A03E		413809-5	SASH NOZZLE	1				
A03F		413809-5	SASH NOZZLE	1				
A04A		459355-4	NOZZLE HOLDER	1				
A04B		459355-4	NOZZLE HOLDER	1				
A04C		459354-6	NOZZLE HOLDER	1				
A04D		459354-6	NOZZLE HOLDER	1				
A04E		459038-6	NOZZLE HOLDER	1				
A04F		459038-6	NOZZLE HOLDER	1				
A05A		459356-2	PIPE	1				
A05B		459356-2	PIPE	1				
A05C		459353-8	PIPE	1				
A05D		459353-8	PIPE	1				
A05E		458942-6	PIPE	1				
A05F		458942-6	PIPE	1				
A06B		***DC18RC	DC18RC FAST CHARGER	1				
	D10		COMPO-PARTS					
A06D		***DC18RC	DC18RC FAST CHARGER	1				
	D10		COMPO-PARTS					
A06F		***DC18RC	DC18RC FAST CHARGER	1				
	D10		COMPO-PARTS					
A07B		199283-8	BATTERY BL1830B SET	1				
A07D		199283-8	BATTERY BL1830B SET	1				
A07F		199283-8	BATTERY BL1830B SET	1				
A08B		450128-8	BATTERY COVER	1				
A08D		450128-8	BATTERY COVER	1				
A08F		450128-8	BATTERY COVER	1				

A:DCL285FZ(N)
 B:DCL285FRF(H)
 C:DCL285FZW(N)
 D:DCL285FRFW(H)
 E:DCL285FZB(N)
 F:DCL285FRFB(H)

Interchange
 O : Yes
 X : No
 < : the new part can be substituted for the current.
 > : the current part can be substituted for the new.
 S : Interchangeable as a set.