



TH	THAILAND
----	----------

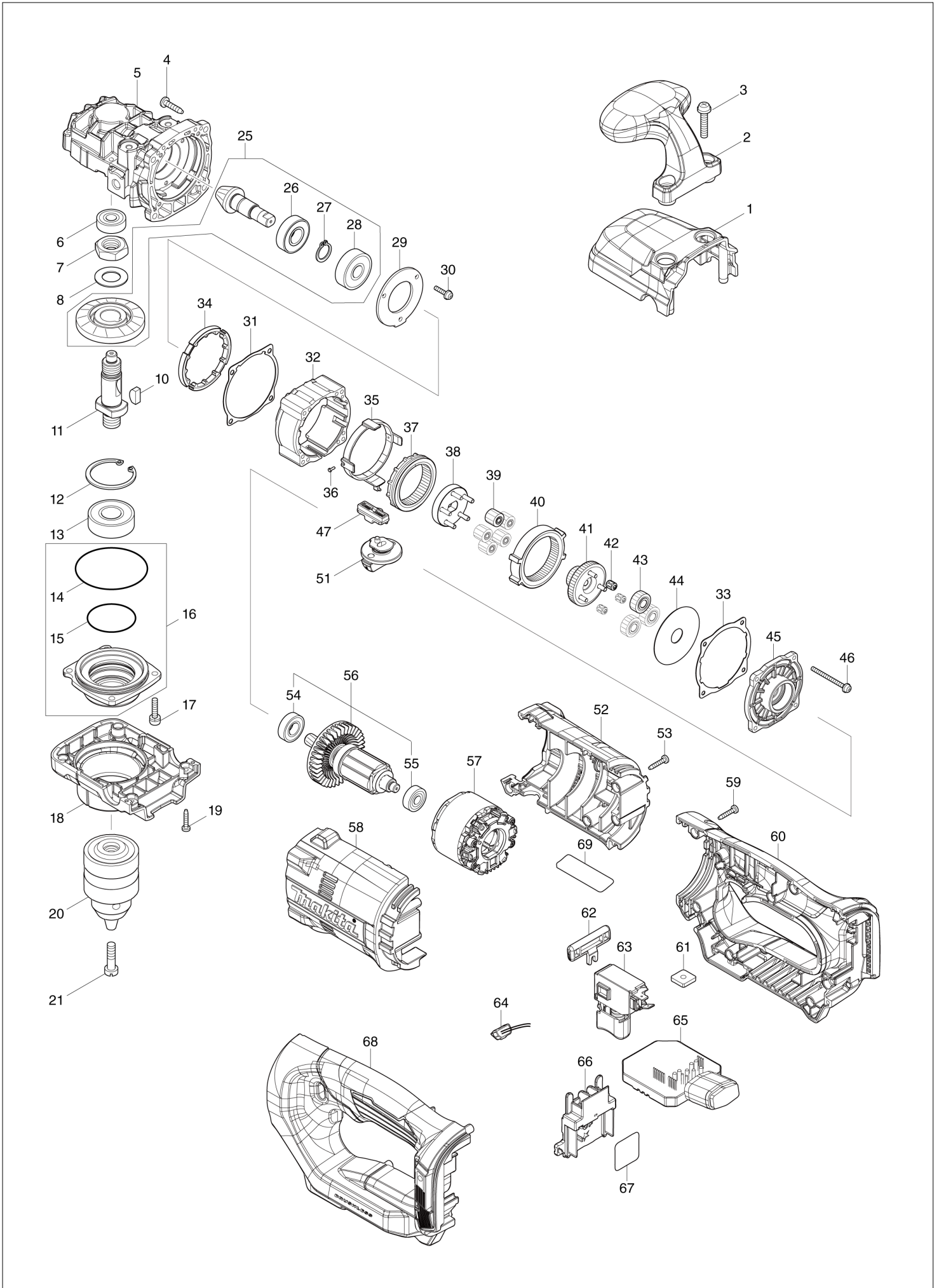
# Diagram / Parts List

**DDA450**

**13MM CORDLESS ANGLE DRILL**



(TH) DDA450 / 13MM CORDLESS ANGLE DRILL



TH	THAILAND
----	----------

### DDA450 / 13MM CORDLESS ANGLE DRILL

Item	Sub	Parts No.	Parts Description	Qty	I/C	E/C No.	Close No.	Remark
001		183S72-5	COVER SET	1				
	D10		INC. 18					
002		413433-4	FRONT HANDLE	1				
003		911243-8	PAN HEAD SCREW M5X25	2				
004		266326-2	TAPPING SCREW 4X18	4				
005		312B07-9	GEAR HOUSING	1				
006		211032-4	BALL BEARING 608ZZ	1				
007		252299-5	HEX. NUT M14	1				
008		253536-0	FLAT WASHER 14	1				
010		254032-1	WOODRUFF KEY 5	1				
011		327774-1	SPINDLE	1				
012		962153-2	RETAINING RING R-35	1				
013		211228-7	BALL BEARING 6202DDW	1				
014		213656-2	O RING 53	1				
015		213A04-1	O RING 35	1			DB996	
015-1		213343-3	O RING 35	1	O	DB996		
016		136450-4	BEARING BOX ASSY	1			DB996	
	D10		INC. 14,15				DB996	
016-1		136566-5	BEARING BOX ASS'Y	1	O	DB996		
	D10		INC. 14,15			DB996		
017		911126-2	PAN HEAD SCREW M4X16	4				
018		183S72-5	COVER SET	1				
	D10		INC. 1					
019		266130-9	TAPPING SCREW BIND PT 3X16	4				
020		763183-4	DRILL CHUCK S13	1				
021		251425-3	- FLAT HEAD SCREW M6X22	1				
025		136451-2	SPIRAL BEVEL GEAR ASSY	1				
	D10		INC. 26-28					
026		211131-2	BALL BEARING 6001DDW	1				
027		961052-5	RETAINING RING (EXT) S-12	1				
028		211067-5	BALL BEARING 6200ZZ	1				
029		285044-3	BEARING RETAINER 48	1				
030		911018-5	PAN HEAD SCREW M3X12	3				
031		422683-0	GASKET A	1				
032		413437-6	GEAR CASE	1				
033		422684-8	GASKET B	1				
034		313367-0	SPEED CHANGE CAM	1				
035		413439-2	SPEED CHANGE RING	1				
036		256952-5	PIN 1.4	2				
037		227881-9	INTERNAL SPUR GEAR 48	1				
038		141A18-9	CARRIER COMPLETE	1				
039		227880-1	SPUR GEAR 13	5				
040		227878-8	INTERNAL SPUR GEAR 62	1				
041		141A17-1	SPUR GEAR 22-48 COMPLETE	1				
042		212131-5	NEEDLE CAGE 307	3				
043		227877-0	SPUR GEAR 25	3				
044		253493-2	FLAT WASHER 12	1				
045		413438-4	MOTOR BRACKET	1				
046		911063-0	PAN HEAD SCREW M3X35	4				
047		127066-6	CHANGE LEVER ASSEMBLY	1				
	C10	232518-5	COMPRESSION SPRING 4	2				
051		127282-0	SPEED CHANGE LEVER ASSEMBLY	1				
	C10	213118-0	O RING 12	1				
052		183S73-3	MOTOR HOUSING SET	1				
	D10		INC. 58					
053		266130-9	TAPPING SCREW BIND PT 3X16	6				
054		210069-8	BALL BEARING 6900DDW	1				
055		211022-7	BALL BEARING 607ZZ	1				
056		519688-0	ROTOR ASSY	1				
	D10		INC. 54,55					
057		629A60-5	STATOR	1			DJ990	
057-1		629B61-9	STATOR	1	S	DJ990		
058		183S73-3	MOTOR HOUSING SET	1				
	D10		INC. 52					
059		266130-9	TAPPING SCREW BIND PT 3X16	9				

A:DDA450ZK(N)  
B:DDA450RTE(H)

Interchange  
O : Yes  
X : No  
< : the new part can be substituted for the current.  
> : the current part can be substituted for the new.  
S : Interchangeable as a set.

