



TH	THAILAND
----	----------

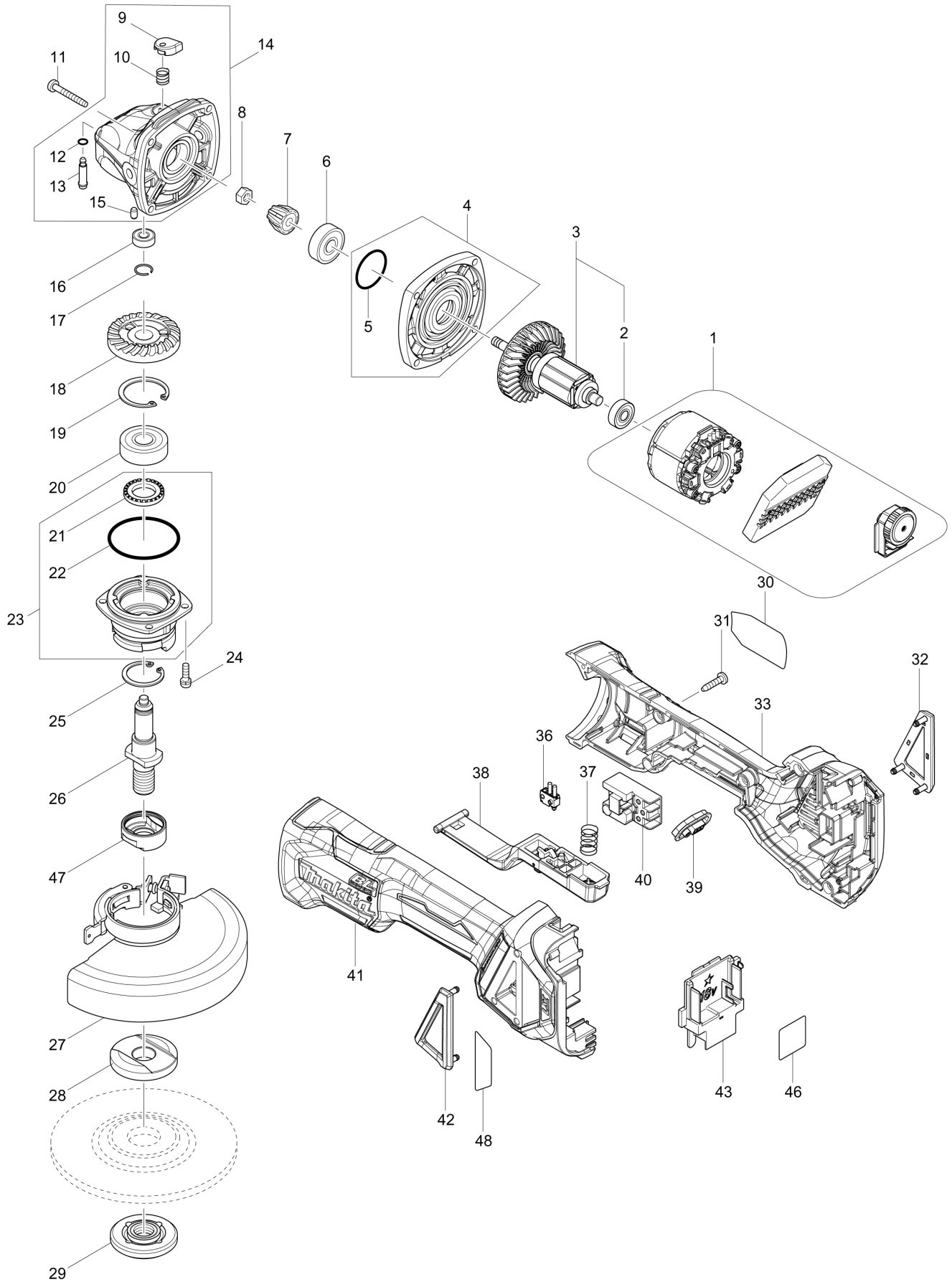
# Diagram / Parts List

**DGA517**

**125MM CORDLESS ANGLE GRINDER**



(TH) DGA517 / 125MM CORDLESS ANGLE GRINDER



<b>TH</b>	<b>THAILAND</b>
-----------	-----------------

## DGA517 / 125MM CORDLESS ANGLE GRINDER

Item	Sub	Parts No.	Parts Description	Qty	I/C	E/C No.	Close No.	Remark
001		629304-7	STATOR COMPLETE	1			DE854	
001-1		629B61-9	STATOR	1	S	DE854		
002		211021-9	BALL BEARING 607LLB	1				
003		510300-5	ROTOR ASS'Y	1			D7193	
	D10		INC. 2				D7193	
003-1		510300-5	ROTOR ASS'Y	1	O	D7193		
	D10		INC. 2			D7193		
004		135930-7	GEAR HOUSING COVER ASSEMBLY	1				
	D10		INC. 5					
005		213445-5	O-RING 26	1				
006		210042-8	BALL BEARING 629LLB	1				
007		227541-3	SPIRAL BEVEL GEAR 10	1			C3594	
007-1		226861-2	SPIRAL BEVEL GEAR 10	1	S	C3594		
008		252186-8	HEX. NUT M6	1				
009		417771-6	PIN CAP	1				
010		233072-2	COMPRESSION SPRING 8	1				
011		266361-0	TAPPING SCREW 4X30	4				
012		213960-9	O RING 5	1				
013		256546-6	SHOULDER PIN 4	1				
014		135929-2	GEAR HOUSING ASSEMBLY	1				
	D10		INC. 9,10,12,13,15					
015		263002-9	RUBBER PIN 4	1				
016		210006-2	BALL BEARING 696ZZ	1				
017		233950-6	RING SPRING 11	1				
018		227641-9	SPIRAL BEVEL GEAR 37	1			C3594	
018-1		226862-0	SPIRAL BEVEL GEAR 37	1	S	C3594		
019		962151-6	RETAINING RING R-32	1				
020		211129-9	BALL BEARING 6201DDW	1				
021		262153-5	FELT RING 16	1				
022		213622-9	O RING 45	1				
023		135949-6	BEARING BOX ASSEMBLY	1				
	D10		INC. 21,22					
024		911121-2	PAN HEAD SCREW M4X14	4				
025		962105-3	RETAINING RING R-26	1				
026		326672-6	SPINDLE	1				
027		123145-8	TOOLLESS WHEELCOVER 125AK ASS'	1				
	C10	213009-5	O RING 4	1				
	C20	265180-1	PAN HEAD SCREW M5X16	1				
028		224447-6	INNER FLANGE 42B	1				
029		224554-5	LOCK NUT 14-45	1				
030		853Y82-9	DGA517 NAME PLATE	1				
031		266326-2	TAPPING SCREW 4X18	5				
032		455450-8	DUST COVER R	1				
033		183H86-8	MOTOR HOUSING SET	1				
	C10	263005-3	RUBBER PIN 6	2				
	D10		INC. 41					
036		632E12-1	SWITCH UNIT	1				
037		234357-9	COMPRESSION SPRING 11	1				
038		142976-6	SWITCH LEVER COMPLETE	1				
039		142901-7	INDICATOR PANEL COMPLETE	1				
040		650734-1	SWITCH TG73BDS-2	1				
041		183H86-8	MOTOR HOUSING SET	1				
	C10	263005-3	RUBBER PIN 6	2				
	D10		INC. 33					
042		455449-3	DUST COVER L	1				
043		643874-2	TERMINAL	1				
046		853Y88-7	DGA517 SERIAL NO. LABEL	1				
047		310514-4	LEAD FLANGE	1				
048		816D93-9	INDICATION LABEL	1				
049		620K21-8	CONTROLLER	1	S	DE854		
050		652119-7	PAN HEAD SCREW M2X6	6	S	DE854		
A01		A-80656	GRINDING WHEEL 125 WA36N	1				
A02		158237-4	GRIP 36 COMPLETE	1				
A03		782423-1	LOCK NUT WRENCH 35	1				
A04B		***DC18RC	DC18RC FAST CHARGER	1				

A:DGA517Z(N)  
B:DGA517RTE(H)

Interchange  
O : Yes  
X : No  
< : the new part can be substituted for the current.  
> : the current part can be substituted for the new.  
S : Interchangeable as a set.

