



TH	THAILAND
----	----------

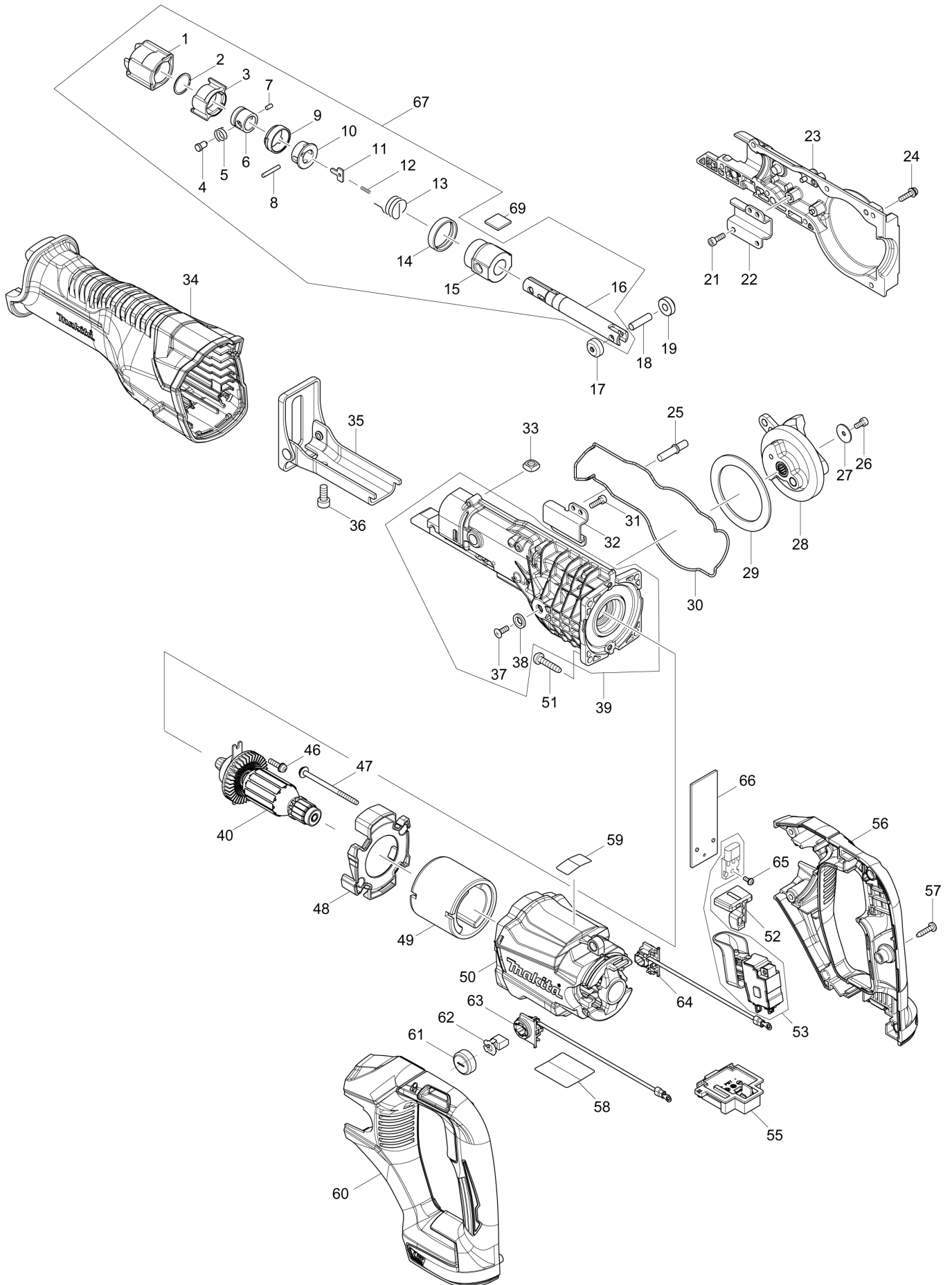
Diagram / Parts List

DJR186

CORDLESS RECIPRO SAW



(TH) DJR186 / CORDLESS RECIPRO SAW



TH	THAILAND
----	----------

DJR186 / CORDLESS RECIPRO SAW

Item	Sub	Parts No.	Parts Description	Qty	I/C	E/C No.	Close No.	Remark
001		424763-8	PROTECTOR	1				
002		257952-8	RETAINING RING (EXT) 18	1			C8033	
002-1		257430-8	RETAINING RING(EXT)18	1	S	C8033		
003		310662-9	DRIVING SLEEVE	1				
004		256569-4	SHOULDER PIN 5	1				
005		234381-2	COMPRESSION SPRING 6	1				
006		331720-8	GUIDE SLEEVE	1			C8033	
006-1		327043-0	GUIDE SLEEVE	1	S	C8033		
007		268094-3	PIN 3	1				
008		256158-5	PIN 3	1				
009		417791-0	DRIVING SLEEVE GUIDE	1				
010		418311-3	SLEEVE	1				
011		345214-7	PUSH PLATE	1				
012		233025-1	COMPRESSION SPRING 2	1				
013		231687-9	TORSION SPRING 17	1				
014		424762-0	RUBBER RING	1				
015		143365-8	SLIDER GUIDE COMPLETE	1				
	C10	213151-2	OIL SEAL 14	1				
	C20	213174-0	X RING 14	1				
016		161376-1	SLIDER	1				
017		310663-7	ROLLER	1				
018		268341-2	PIN 6	1				
019		310663-7	ROLLER	1				
021A		922117-8	HEX. SOCKET HEAD BOLT M4X12	2			B7611	
021B		922117-8	HEX. SOCKET HEAD BOLT M4X12	2			B7611	
021-1A		265353-6	HEX. SOCKET HEAD BOLT M4X12	2	<	B7611		
021-1B		265353-6	HEX. SOCKET HEAD BOLT M4X12	2	<	B7611		
021-1C		265353-6	HEX. SOCKET HEAD BOLT M4X12	2				
022		346936-2	ROD GUIDE R	1				
023		143381-0	GEAR HOUSING R COMPLETE	1				
024		911128-8	P.H.SCREW M4X16 WITH WR	7				
025		256567-8	SHOULDER PIN 6-8	1				
026A		922107-1	HEX. SOCKET HEAD BOLT M4X8	1			B7611	
026B		922107-1	HEX. SOCKET HEAD BOLT M4X8	1			B7611	
026-1A		265911-8	HEX. SOCKET HEAD BOLT M4X8	1	<	B7611		
026-1B		265911-8	HEX. SOCKET HEAD BOLT M4X8	1	<	B7611		
026-1C		265911-8	HEX. SOCKET HEAD BOLT M4X8	1				
027		267491-0	FLAT WASHER 4	1				
028		143377-1	GEAR COMPLETE	1				
029		267490-2	FLAT WASHER 54	1				
030		424764-6	SEAL RING	1				
031A		922117-8	HEX. SOCKET HEAD BOLT M4X12	2			B7611	
031B		922117-8	HEX. SOCKET HEAD BOLT M4X12	2			B7611	
031-1A		265353-6	HEX. SOCKET HEAD BOLT M4X12	2	<	B7611		
031-1B		265353-6	HEX. SOCKET HEAD BOLT M4X12	2	<	B7611		
031-1C		265353-6	HEX. SOCKET HEAD BOLT M4X12	2				
032		346935-4	ROD GUIDE L	1				
033		252157-5	SQUARE NUT M6	1				
034		424768-8	INSULATION COVER	1				
035A		161375-3	SHOE	1			C1877	
035B		161375-3	SHOE	1			C1877	
035-1A		161810-1	SHOE	1	O	C1877		
035-1B		161810-1	SHOE	1	O	C1877		
035-1C		161810-1	SHOE	1				
036		265531-8	HEX.SOCKET HEAD BOLT M6X14	1				
037A		912112-6	COUNTERSUNK HEAD SCREW M4X10	1			B7611	
037B		912112-6	COUNTERSUNK HEAD SCREW M4X10	1			B7611	
037-1A		265135-6	+ COUNTERSUNK HEAD SCREW M4X10	1	<	B7611		
037-1B		265135-6	+ COUNTERSUNK HEAD SCREW M4X10	1	<	B7611		
037-1C		265135-6	+ COUNTERSUNK HEAD SCREW M4X10	1				
038		253825-3	FLAT WASHER 6	1				
039A		123511-9	GEAR HOUSING L ASSEMBLY	1			B7611	
	D10		INC. 37,38				B7611	
039B		123511-9	GEAR HOUSING L ASSEMBLY	1			B7611	
	D10		INC. 37,38				B7611	

A:DJR186Z(N)
B:DJR186RME(H)
C:DJR186RFE(H)

Interchange
O : Yes
X : No
< : the new part can be substituted for the current.
> : the current part can be substituted for the new.
S : Interchangeable as a set.

TH	THAILAND
----	----------

DJR186 / CORDLESS RECIPRO SAW

Item	Sub	Parts No.	Parts Description	Qty	I/C	E/C No.	Close No.	Remark
039-1A		126678-2	GEAR HOUSING L ASSEMBLY	1	<	B7611		
	D10		INC. 37,38			B7611		
039-1B		126678-2	GEAR HOUSING L ASSEMBLY	1	<	B7611		
	D10		INC. 37,38			B7611		
039-1C		126678-2	GEAR HOUSING L ASSEMBLY	1				
	D10		INC. 37,38					
040		519392-1	ARMATURE ASS'Y 18V	1				
	C10	961055-9	RETAINING RING S-15	1		Y07339		
	C20	211247-3	BALL BEARING 6002DDW	1		Y07339		
	C30	227650-8	SPIRAL BEVEL GEAR 7	1		Y07339		
	C40	285740-3	BEARING RETAINER 66	1		Y07339		
	C50	210062-2	BALL BEARING 607ZZ	1		Y07339		
	D10		INC. 41-45				Y07339	
	C10	961055-9	RETAINING RING S-15	1		Y07339		
	C20	211247-3	BALL BEARING 6002DDW	1		Y07339		
	C30	227650-8	SPIRAL BEVEL GEAR 7	1		Y07339		
	C40	285740-3	BEARING RETAINER 66	1		Y07339		
	C50	210062-2	BALL BEARING 607ZZ	1		Y07339		
	D10		INC. 41-45				Y07339	
	C10	961055-9	RETAINING RING S-15	1				
	C20	211247-3	BALL BEARING 6002DDW	1				
	C30	227650-8	SPIRAL BEVEL GEAR 7	1				
	C40	285740-3	BEARING RETAINER 66	1				
	C50	210062-2	BALL BEARING 607ZZ	1				
041A		961055-9	RETAINING RING S-15	1			Y07339	
041B		961055-9	RETAINING RING S-15	1			Y07339	
042A		211247-3	BALL BEARING 6002DDW	1			Y07339	
042B		211247-3	BALL BEARING 6002DDW	1			Y07339	
043A		227650-8	SPIRAL BEVEL GEAR 7	1			Y07339	
043B		227650-8	SPIRAL BEVEL GEAR 7	1			Y07339	
044A		285740-3	BEARING RETAINER 66	1			Y07339	
044B		285740-3	BEARING RETAINER 66	1			Y07339	
045A		210062-2	BALL BEARING 607ZZ	1			Y07339	
045B		210062-2	BALL BEARING 607ZZ	1			Y07339	
046		911128-8	P.H.SCREW M4X16 WITH WR	2				
047		266292-3	TAPPING SCREW 4X65	2				
048		456207-0	BAFFLE PLATE	1				
049		638571-3	YOKE UNIT	1				
050		456206-2	MOTOR HOUSING	1				
051		266041-8	TAPPING SCREW 5X25	4				
052		456208-8	LOCK OFF BUTTON	1				
053A		650760-0	SWITCH TG573FSB-9V	1			B3201	
053B		650760-0	SWITCH TG573FSB-9V	1			B3201	
053-1A		650760-0	SWITCH TG573FSB-9V	1	O	B3201		
053-1B		650760-0	SWITCH TG573FSB-9V	1	O	B3201		
053-1C		650760-0	SWITCH TG573FSB-9V	1				
055A		644808-8	TERMINAL	1			B4531	
055B		644808-8	TERMINAL	1			B4531	
055-1A		644809-6	TERMINAL	1	S	B4531		
055-1B		644809-6	TERMINAL	1	S	B4531		
055-1C		644809-6	TERMINAL	1				
056A		183C48-6	HANDLE SET	1			B4531	
	C10	263005-3	RUBBER PIN 6	2			B4531	
	D10		INC. 60				B4531	
056B		183C48-6	HANDLE SET	1			B4531	
	C10	263005-3	RUBBER PIN 6	2			B4531	
	D10		INC. 60				B4531	
056-1A		183C49-4	HANDLE SET	1	S	B4531		
	C10	263005-3	RUBBER PIN 6	2		B4531		
	D10		INC. 60			B4531		
056-1B		183C49-4	HANDLE SET	1	S	B4531		
	C10	263005-3	RUBBER PIN 6	2		B4531		
	D10		INC. 60			B4531		
056-1C		183C49-4	HANDLE SET	1				
	C10	263005-3	RUBBER PIN 6	2				

A:DJR186Z(N)
 B:DJR186RME(H)
 C:DJR186RFE(H)

Interchange
 O : Yes
 X : No
 < : the new part can be substituted for the current.
 > : the current part can be substituted for the new.
 S : Interchangeable as a set.

