



TH	THAILAND
----	----------

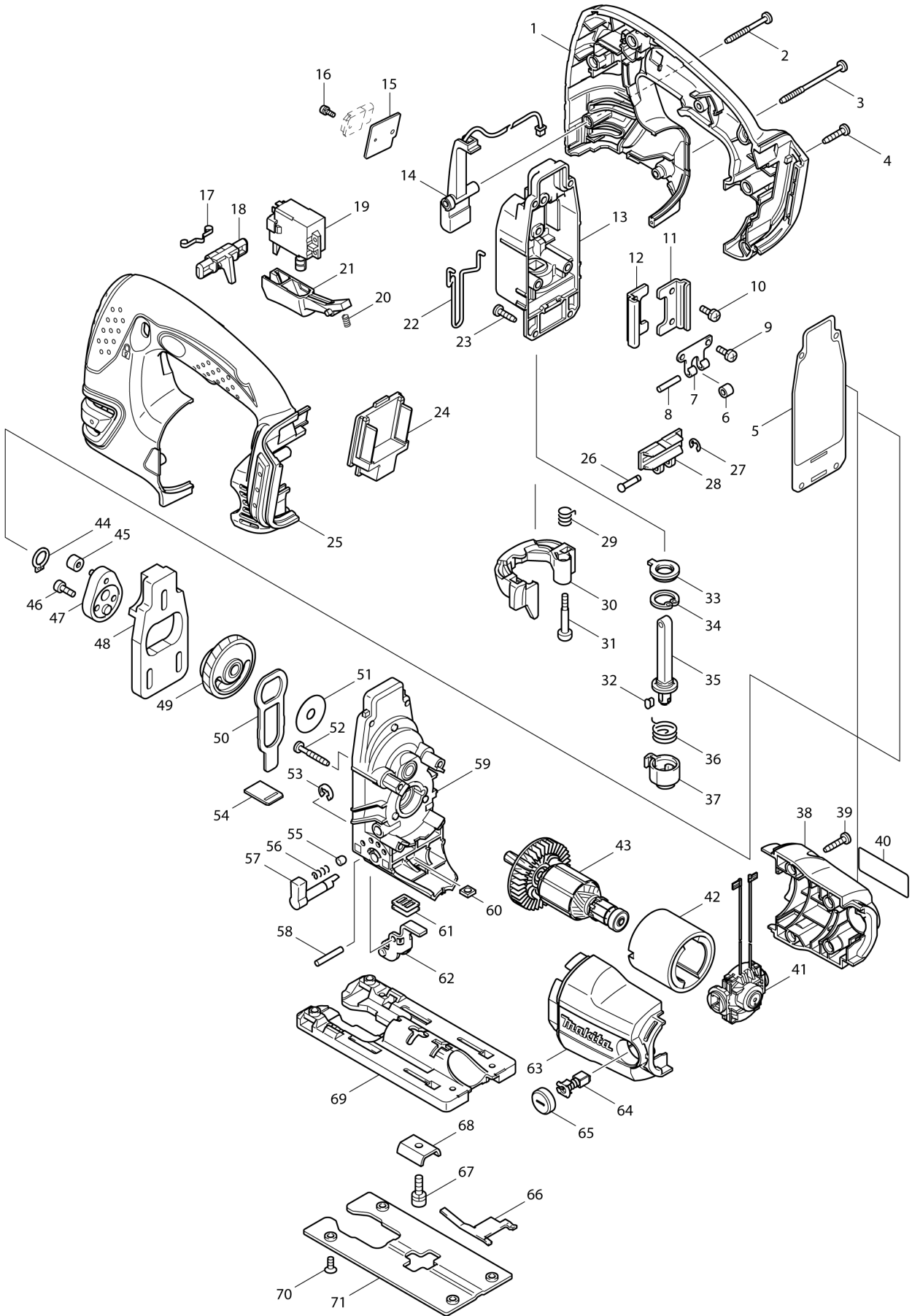
Diagram / Parts List

DJV180

CORDLESS JIG SAW



(TH) DJV180 / CORDLESS JIG SAW



TH	THAILAND
----	----------

DJV180 / CORDLESS JIG SAW

Item	Sub	Parts No.	Parts Description	Qty	I/C	E/C No.	Close No.	Remark
001		187725-4	HANDLE SET	1				
	D10		INC. 25					
002D		266048-4	TAPPING SCREW 4X40	1			D8718	
002E		266048-4	TAPPING SCREW 4X40	1				
002F		266048-4	TAPPING SCREW 4X40	1				
002-1D		266560-4	TAPPING SCREW 4X40	1	O	D8718		
003D		266091-3	TAPPING SCREW 4X50	1			D8718	
003E		266091-3	TAPPING SCREW 4X50	1				
003F		266091-3	TAPPING SCREW 4X50	1				
003-1D		265650-0	TAPPING SCREW 4X50	1	O	D8718		
004D		265995-6	TAPPING SCREW 4X18	5			D8718	
004E		265995-6	TAPPING SCREW 4X18	5				
004F		265995-6	TAPPING SCREW 4X18	5				
004-1D		265652-6	TAPPING SCREW 4X18	5	O	D8718		
005		442138-9	PACKING	1				
006		214031-5	PLANE BEARING 4	1				
007		232207-2	LEAF SPRING	1				
008		256117-9	PIN 4	1				
009		911111-5	PAN HEAD SCREW M4X10 WITH W	2				
010		911111-5	PAN HEAD SCREW M4X10 WITH W	2				
011		345240-6	LINEAR GUIDE	1				
012		345240-6	LINEAR GUIDE	1				
013		153338-3	GEAR HOUSING COVER COMPLETE	1				
	C10	253313-0	THIN WASHER 14	1				
	C20	257250-0	RING 20	1				
	C30	421815-6	DUST SEAL 8	1				
014		631744-7	LIGHT CIRCUIT	1				
015D		689070-8	HEAT SINK	1				
015E		689070-8	HEAT SINK	1			DH814	
015F		689070-8	HEAT SINK	1			DH814	
015-1E		689262-9	HEAT SINK	1	O	DH814		
015-1F		689262-9	HEAT SINK	1	O	DH814		
016		911006-2	PAN HEAD SCREW M3X8	1				
017		232152-1	LEAF SPRING	1				
018		419613-0	LOCK OFF BUTTON	1				
019		650650-7	SWITCH C3LA-2A-PLSRS	1			DL057	
019-1		650650-7	SWITCH C3LA-2A-PLSRS	1	O	DL057		
020		233118-4	COMPRESSION SPRING 4	1				
021		419754-2	SWITCH LEVER	1				
022		324233-6	SAFETY WIRE	1				
023		266034-5	TAPPING SCREW CT 4X16	4				
024		644808-8	TERMINAL	1				
025		187725-4	HANDLE SET	1				
	D10		INC. 1					
026		268090-1	PIN 4	1				
027		961017-7	STOP RING E-3	1				
028		310134-4	SLIDER	1				
029		231659-4	TORSION SPRING 6	1				
030		419820-5	TOOL OPENER	1				
031		265026-1	+ PAN HEAD SCREW M4	1				
032		310135-2	PUSH PIN	1				
033		421817-2	DUST COVER	1				
034		962068-3	RETAINING RING R-18	1				
035		165326-8	ROD	1				
036		231660-9	TORSION SPRING 15	1				
037		310136-0	BLADE HOLDER	1				
038		188208-7	MOTOR HOUSING SET	1				
	D10		INC. 63					
039D		265995-6	TAPPING SCREW 4X18	4			D8718	
039E		265995-6	TAPPING SCREW 4X18	4				
039F		265995-6	TAPPING SCREW 4X18	4				
039-1D		265652-6	TAPPING SCREW 4X18	4	O	D8718		
040		815K50-6	DJV180 NAME PLATE	1				
041		638504-8	ENDBELL COMPLETE	1				
042		638373-7	YOKE UNIT	1				

D:DJV180Z(N)
E:DJV180RFE(H)
F:DJV180RF(H)

Interchange
O : Yes
X : No
< : the new part can be substituted for the current.
> : the current part can be substituted for the new.
S : Interchangeable as a set.

TH	THAILAND
----	----------

DJV180 / CORDLESS JIG SAW

Item	Sub	Parts No.	Parts Description	Qty	I/C	E/C No.	Close No.	Remark
043		619206-5	ARMATURE	1				
044		961004-6	RETAINING RING (EXT) S-8	1				
045		212092-9	NEEDLE BEARING 407	1				
046		265353-6	HEX. SOCKET HEAD BOLT M4X12	2				
047		153336-7	CRANK COMPLETE	1				
048		313108-4	BALANCE PLATE	1				
049		158168-7	GEAR COMPLETE	1				
050		345235-9	PUSH PLATE	1				
051		253877-4	FLAT WASHER 8	1				
052D		266050-7	TAPPING SCREW 4X30	4			D8718	
052E		266050-7	TAPPING SCREW 4X30	4				
052F		266050-7	TAPPING SCREW 4X30	4				
052-1D		265654-2	TAPPING SCREW 4X30	4	O	D8718		
053		961018-5	STOP RING E-5	1				
054		417839-8	SEAL PLATE	1				
055		286032-3	CAP 5	1				
056		233139-6	COMPRESSION SPRING 3	1				
057		272280-0	LEVER 17	1				
058		268063-4	PIN 4	1				
059		158169-5	GEAR HOUSING COMPLETE	1				
060		252171-1	SQUARE NUT M5-8	1				
061		421816-4	DUST SEAL	1				
062		153334-1	RETAINER COMPLETE	1				
063		188208-7	MOTOR HOUSING SET	1				
	D10		INC. 38					
064		195018-5	CARBON BRUSH SET CB-430	1				
065		643807-7	BRUSH HOLDER CAP	2				
066		232208-0	LEAF SPRING	1				
067		922226-3	HEX. SOCKET HEAD BOLT M5X18	1				
068		345237-5	CRANK PLATE	1				
069		317565-8	BASE	1				
070		912107-9	COUNTERSUNK HEAD SCREW M4X8	4				
071		345238-3	BASE PLATE	1				
A01		415524-7	ANTI-SPLINTERING DEVICE	1				
A02		417852-6	COVER PLATE	1				
A04D		A-85737	JIGSAW BLADE NO.B22	1			DE969	
A04E		A-85737	JIGSAW BLADE NO.B22	1				
A04F		A-85737	JIGSAW BLADE NO.B22	1				
A04-1D		A-85737	JIGSAW BLADE NO.B22	1	S	DL962		
A05D		A-85628	JIGSAW BLADE NO.B10	1			DE969	
A05E		A-85628	JIGSAW BLADE NO.B10	1				
A05F		A-85628	JIGSAW BLADE NO.B10	1				
A05-1D		A-85628	JIGSAW BLADE NO.B10	1	S	DL962		
A06D		A-85793	JIGSAW BLADE NO.BR13	1			DE969	
A06E		A-85793	JIGSAW BLADE NO.BR13	1				
A06F		A-85793	JIGSAW BLADE NO.BR13	1				
A06-1D		A-85793	JIGSAW BLADE NO.BR13	1	S	DL962		
A07		783202-0	HEX. WRENCH 4	1				
A08E		***DC18RC	DC18RC FAST CHARGER	1				
A08F		***DC18RC	DC18RC FAST CHARGER	1				
A09E		196015-4	BATTERY BL1830 SET	2			A5588	
A09F		196015-4	BATTERY BL1830 SET	1			A5588	
A09-1E		196015-4	BATTERY BL1830 SET	2	O	A5588	B2535	
A09-1F		196015-4	BATTERY BL1830 SET	1	O	A5588	B2535	
A09-2E		197600-6	BATTERY BL1830B SET	2	<	B2535	C2803	
A09-2F		197600-6	BATTERY BL1830B SET	1	<	B2535	C2803	
A09-3E		199283-8	BATTERY BL1830B SET	2	<	C2803	D0159	
A09-3F		199283-8	BATTERY BL1830B SET	1	<	C2803	D0159	
A09-4E		199283-8	BATTERY BL1830B SET	2	<	D0159		
A09-4F		199283-8	BATTERY BL1830B SET	1	<	D0159		
A10E		141486-0	PLASTIC CARRYING CASE COMPLETE	1				
	C10	450909-0	LATCH	2				
A10F		141486-0	PLASTIC CARRYING CASE COMPLETE	1				
	C10	450909-0	LATCH	2				
A11D		803H19-4	DJV180Z TOOL LABEL	1			C6530	

D:DJV180Z(N)
E:DJV180RFE(H)
F:DJV180RF(H)

Interchange
O : Yes
X : No
< : the new part can be substituted for the current.
> : the current part can be substituted for the new.
S : Interchangeable as a set.

