



TH	THAILAND
----	----------

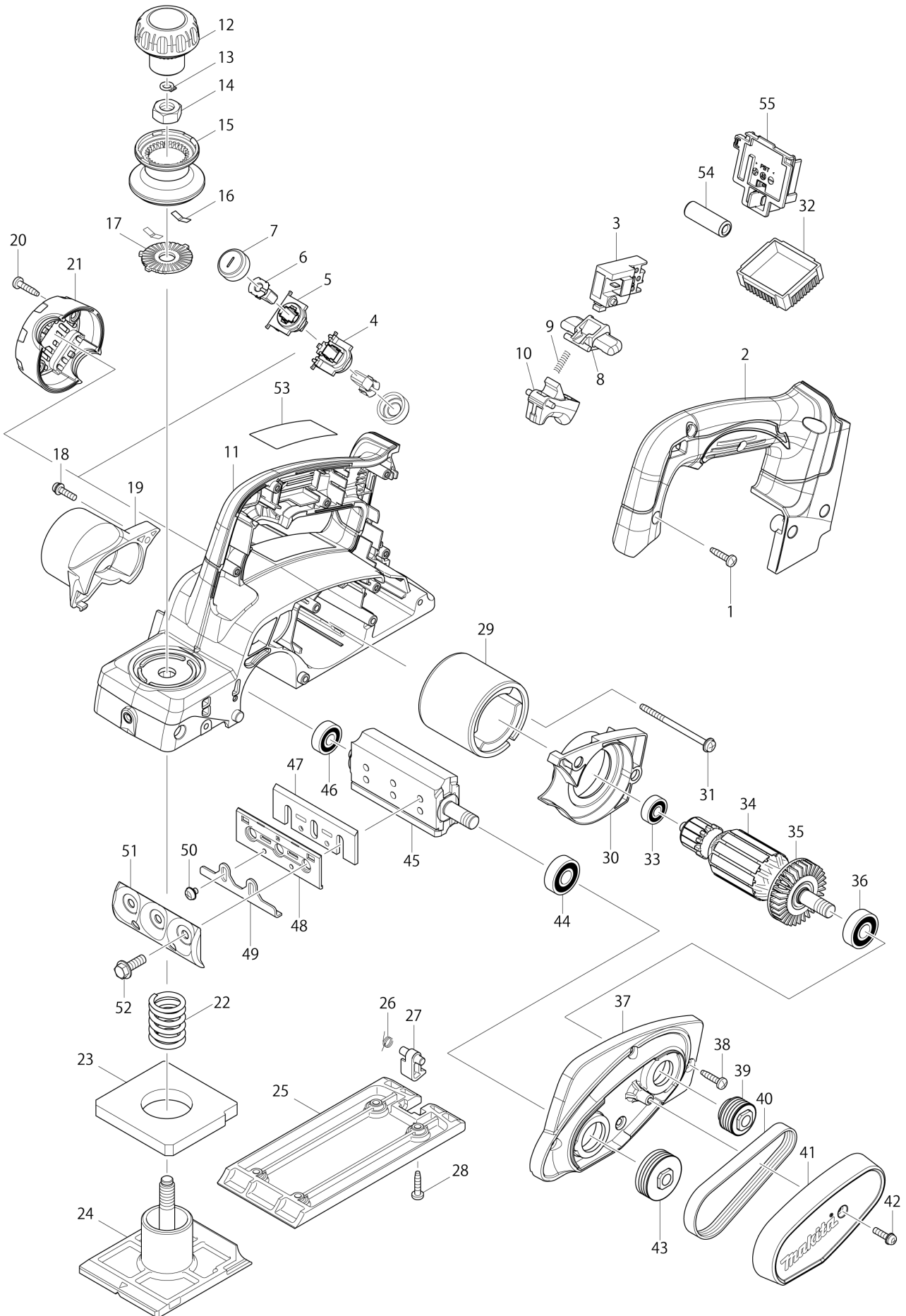
Diagram / Parts List

DKP180

82MM CORDLESS PLANER



(TH) DKP180 / 82MM CORDLESS PLANER



TH	THAILAND
----	----------

DKP180 / 82MM CORDLESS PLANER

Item	Sub	Parts No.	Parts Description	Qty	I/C	E/C No.	Close No.	Remark
001		266326-2	TAPPING SCREW 4X18	6			Z42247	
001-1		265652-6	TAPPING SCREW 4X18	6	O	Z42247		
002		140905-3	HANDLE COVER COMPLETE	1				
	C10	263005-3	RUBBER PIN 6	1				
003		650631-1	SWITCH	1				
004		643872-6	BRUSH HOLDER	1				
005		643873-4	BRUSH HOLDER	1				
006		195022-4	CARBON BRUSH SET CB-441	1				
007		643829-7	HOLDER CAP	2				
008		419664-3	LOCK OFF LEVER	1				
009		231469-9	COMPRESSION SPRING 4	1			C6639	
009-1		231469-9	COMPRESSION SPRING 4	2	O	C6639		
010		419665-1	SWITCH LEVER	1				
011		140904-5	MAIN FRAME COMPLETE	1				
	C10	263005-3	RUBBER PIN 6	1				
012		451328-3	KNOB COVER	1				
013		961004-6	RETAINING RING (EXT) S-8	1				
014		264028-4	HEX. NUT M10	1				
015		452480-0	KNOB	1			B3431	
015-1		452480-0	KNOB	1	O	B3431		
016		232185-6	LEAF SPRING	2				
017		346110-2	CAM PLATE	1			B3431	
017-1		346110-2	CAM PLATE	1	O	B3431		
018		911128-8	P.H.SCREW M4X16 WITH WR	1				
019		451393-2	CHIP COVER	1				
020		266326-2	TAPPING SCREW 4X18	2			Z42247	
020-1		265652-6	TAPPING SCREW 4X18	2	O	Z42247		
021		419281-9	REAR COVER	1				
022		231004-3	COMPRESSION SPRING 18	1				
023		421007-7	RUBBER PACKING	1				
024		319011-7	FRONT BASE	1				
025		319009-4	BASE	1				
026		231698-4	TORSION SPRING 7	1				
027		451392-4	FOOT	1			DF404	
027-1		413L64-1	FOOT	1	<	DF404		
028		266326-2	TAPPING SCREW 4X18	4			Z42247	
028-1		265652-6	TAPPING SCREW 4X18	4	O	Z42247	D0607	
028-2		266326-2	TAPPING SCREW 4X18	4	O	D0607		
029		638571-3	YOKE UNIT	1				
030		452479-5	BAFFLE PLATE	1				
031		266292-3	TAPPING SCREW 4X65	2				
032		620264-6	CONTROLLER	1			DC263	
032-1		620G74-3	CONTROLLER	1	<	DC263		
033		210017-7	BALL BEARING 607DDW	1				
034		519272-1	ARMATURE ASS'Y DC18V	1				
	D10		INC. 33,35,36					
035		240052-1	FAN 46	1				
036		211088-7	BALL BEARING 6000DDW	1				
037		140753-0	BRACKET COMPLETE	1				
	C10	263002-9	RUBBER PIN 4	2				
038		266326-2	TAPPING SCREW 4X18	4			Z42247	
038-1		265652-6	TAPPING SCREW 4X18	4	O	Z42247	D0607	
038-2		265652-6	TAPPING SCREW 4X18	2	S	D0607	DH889	
038-3		265652-6	TAPPING SCREW 4X18	4	S	DH889		
039		222172-3	V-PULLEY 4-24L	1				
040		225007-7	POLY V-BELT 4-241	1				
041		452478-7	BELT COVER	1				
042		911128-8	P.H.SCREW M4X16 WITH WR	1			DG137	
042-1		911138-5	P.H.SCREW M4X20 WITH WR	1	<	DG137		
043		222173-1	V-PULLEY 4-33.5	1				
044		211088-7	BALL BEARING 6000DDW	1				
045		161061-6	DRUM	1				
046		211032-4	BALL BEARING 608ZZ	1				
047		A-83571	PLANER BLADE 82MM	1			C0783	
047-1		D-16346	82MM HSS PLANER BLADE	1	O	C0783		

C:DKP180Z(N)
D:DKP180RFE(H)

Interchange
O : Yes
X : No
< : the new part can be substituted for the current.
> : the current part can be substituted for the new.
S : Interchangeable as a set.

