



TH	THAILAND
----	----------

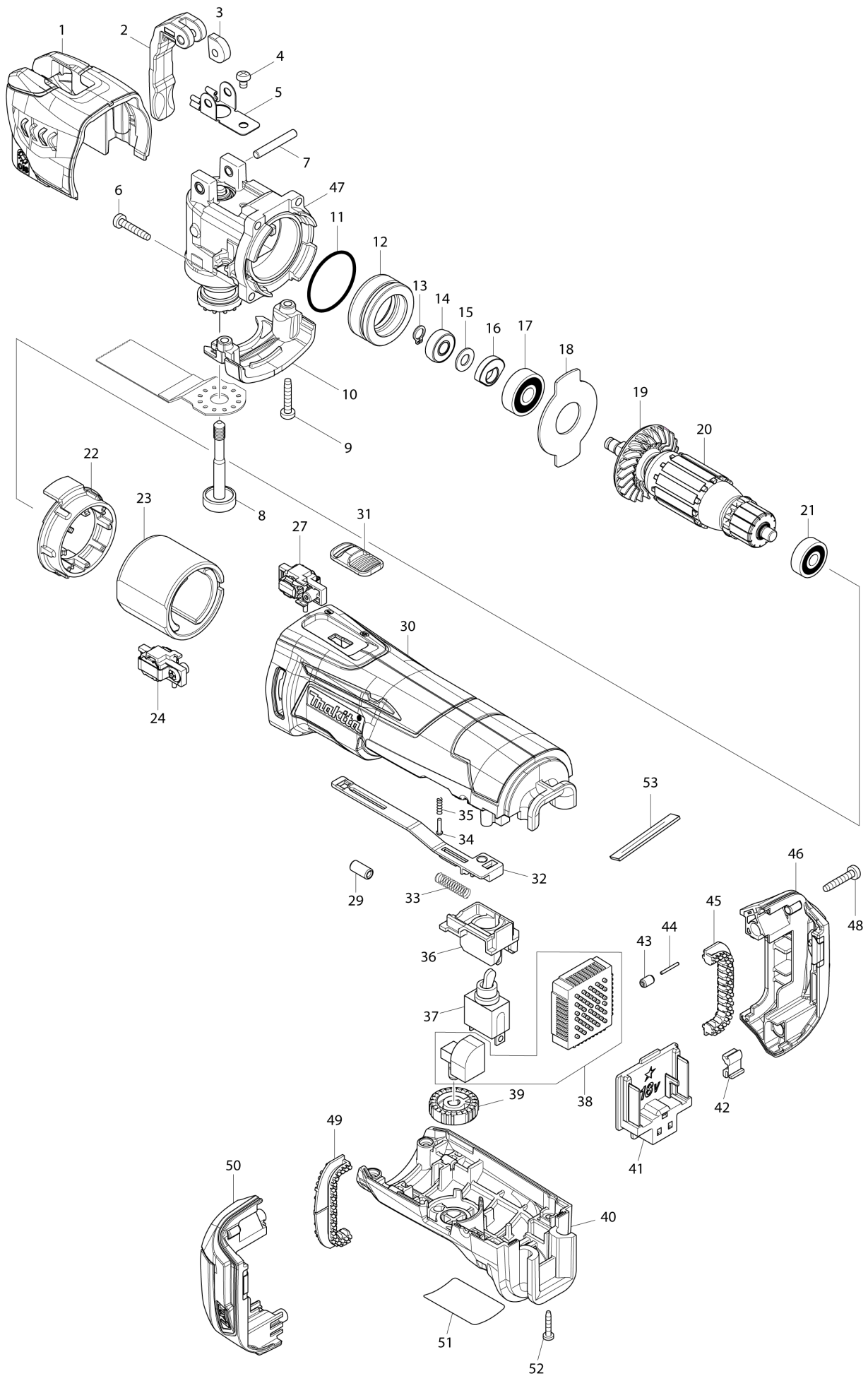
# Diagram / Parts List

**DTM51**

**CORDLESS MULTI TOOL**



(TH) DTM51 / CORDLESS MULTI TOOL



<b>TH</b>	<b>THAILAND</b>
-----------	-----------------

### DTM51 / CORDLESS MULTI TOOL

Item	Sub	Parts No.	Parts Description	Qty	I/C	E/C No.	Close No.	Remark
001		455272-6	UPPER HEAD COVER	1				
002		319059-9	LEVER	1				
003		313268-2	TURN BLOCK	1				
004		911102-6	PAN HEAD SCREW M4X6	1				
005		232282-8	LEAF SPRING	1				
006		266424-2	TAPPING SCREW 4X20	4				
007		268306-4	PIN 5	1				
008		326409-1	HOLDER BOLT	1			C5179	
008-1		327177-9	HOLDER BOLT	1	<	C5179		
009		266424-2	TAPPING SCREW 4X20	2				
010		454635-3	LOWER HEAD COVER	1				
011		213343-3	O RING 35	1				
012		326347-7	BEARING BOX	1				
013		961003-8	RETAINING RING S-7	1				
014		211392-4	SPHERE BEARING 706	1			B4983	
014-1		210164-4	SPHERE BEARING 706	1	O	B4983		
015		253133-2	FLAT WASHER 7	1				
016		313245-4	BALANCER	1				
017		211092-6	BALL BEARING 629DDW	1				
018		285857-2	BEARING RETAINNER	1				
019		240140-4	FAN 46	1				
020		519338-7	ARMATURE ASS'Y 18V	1				
	D10		INC. 19,21					
021		210023-2	BALL BEARING 627DDW	1				
022		455017-2	BUFFLE PLATE	1				
023		632B69-4	YOKE UNIT	1				
024		632B88-0	BRUSH HOLDER COMPLETE	1				
027		632B89-8	BRUSH HOLDER COMPLETE	1				
030		455013-0	MOTOR HOUSING	1				
031		455016-4	SWITCH KNOB	1				
032		455015-6	SWITCH LEVER	1				
033		234263-8	COMPRESSION SPRING 5	1				
034		255058-6	RIVET 2	1				
035		233002-3	COMPRESSION SPRING 3	1				
036		455018-0	SWITCH CASE	1				
037		651423-1	SWITCH	1			DB412	
037-1		651423-1	SWITCH	1	O	DB412		
038		620270-1	CONTROLLER	1				
039		271617-8	DIAL 28	1				
040		142553-4	HANDLE COVER COMPLETE	1				
	C10	263005-3	RUBBER PIN 6	3				
041		643852-2	TERMINAL	1				
042		424476-1	CUSHION	1				
043		263036-2	RUBBER PIN 5	1				
044		268184-2	PIN 1.5	1				
045		424473-7	CUSHION RUBBER	1				
046		187848-8	BATTERY HOUSING SET	1				
	C10	263005-3	RUBBER PIN 6	2				
	D10		INC. 50					
047		142502-1	CRANK HOUSING COMPLETE	1			A6814	
047-1		143250-5	CRANK HOUSING COMPLETE	1	<	A6814		
048		266424-2	TAPPING SCREW 4X20	2				
049		424473-7	CUSHION RUBBER	1				
050		187848-8	BATTERY HOUSING SET	1				
	C10	263005-3	RUBBER PIN 6	2				
	D10		INC. 46					
051		815M50-8	DTM51 NAME PLATE	1				
052		266429-2	TAPPING SCREW 3X16	4				
053		423404-3	SPONGE SHEET	1				
A01B		***DC18RC	DC18RC FAST CHARGER	1				
A02B		196015-4	BATTERY BL1830 SET	2			A5588	
A02-1B		196015-4	BATTERY BL1830 SET	2	O	A5588	B2535	
A02-2B		197600-6	BATTERY BL1830B SET	2	<	B2535	C2803	
A02-3B		199283-8	BATTERY BL1830B SET	2	<	C2803	D0159	
A02-4B		199283-8	BATTERY BL1830B SET	2	<	D0159		

A:DTM51Z(N)  
B:DTM51RFE(H)

Interchange  
O : Yes  
X : No  
< : the new part can be substituted for the current.  
> : the current part can be substituted for the new.  
S : Interchangeable as a set.

