



TH	THAILAND
----	----------

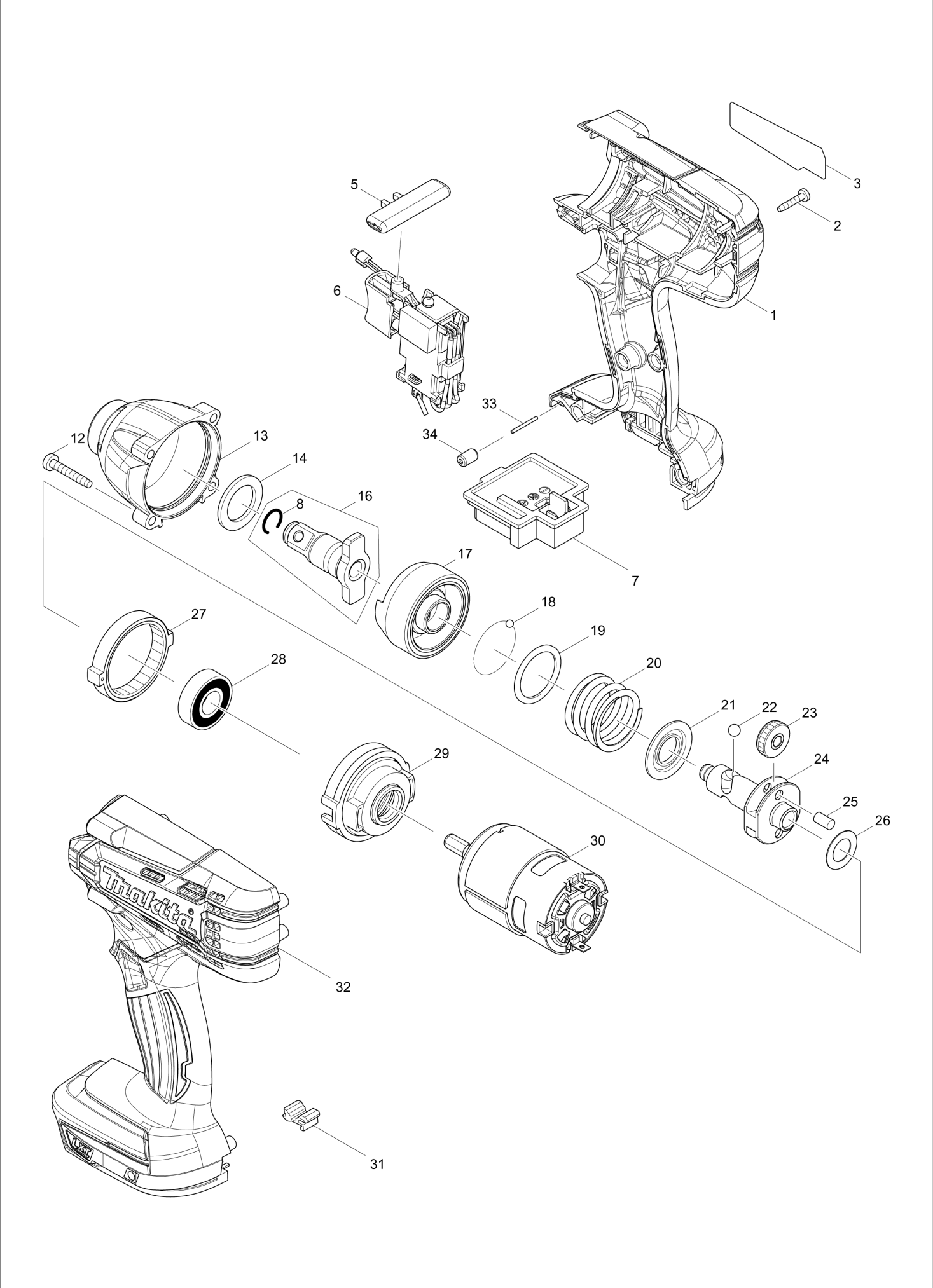
Diagram / Parts List

DTW190

CORDLESS IMPACT WRENCH



(TH) DTW190 / CORDLESS IMPACT WRENCH



TH	THAILAND
-----------	-----------------

DTW190 / CORDLESS IMPACT WRENCH

Item	Sub	Parts No.	Parts Description	Qty	I/C	E/C No.	Close No.	Remark
001A		183D73-3	HOUSING SET	1			B4946	
	C10	263005-3	RUBBER PIN 6	2			B4946	
	C20	252126-6	HEX. LOCK NUT M4-7	2			B4946	
	D10		INC. 32				B4946	
001B		183D73-3	HOUSING SET	1			B4946	
	C10	263005-3	RUBBER PIN 6	2			B4946	
	C20	252126-6	HEX. LOCK NUT M4-7	2			B4946	
	D10		INC. 32				B4946	
001C		183D73-3	HOUSING SET	1			B4946	
	C10	263005-3	RUBBER PIN 6	2			B4946	
	C20	252126-6	HEX. LOCK NUT M4-7	2			B4946	
	D10		INC. 32				B4946	
001D		183D73-3	HOUSING SET	1			B4946	
	C10	263005-3	RUBBER PIN 6	2			B4946	
	C20	252126-6	HEX. LOCK NUT M4-7	2			B4946	
	D10		INC. 32				B4946	
001-1A		183D73-3	HOUSING SET	1	<	B4946		
	C10	263005-3	RUBBER PIN 6	2		B4946		
	C20	252126-6	HEX. LOCK NUT M4-7	2		B4946		
	D10		INC. 32			B4946		
001-1B		183D73-3	HOUSING SET	1	<	B4946		
	C10	263005-3	RUBBER PIN 6	2		B4946		
	C20	252126-6	HEX. LOCK NUT M4-7	2		B4946		
	D10		INC. 32			B4946		
001-1C		183D73-3	HOUSING SET	1	<	B4946		
	C10	263005-3	RUBBER PIN 6	2		B4946		
	C20	252126-6	HEX. LOCK NUT M4-7	2		B4946		
	D10		INC. 32			B4946		
001-1D		183D73-3	HOUSING SET	1	<	B4946		
	C10	263005-3	RUBBER PIN 6	2		B4946		
	C20	252126-6	HEX. LOCK NUT M4-7	2		B4946		
	D10		INC. 32			B4946		
001-1E		183D73-3	HOUSING SET	1				
	C10	263005-3	RUBBER PIN 6	2				
	C20	252126-6	HEX. LOCK NUT M4-7	2				
	D10		INC. 32					
001-1G		183D73-3	HOUSING SET	1				
	C10	263005-3	RUBBER PIN 6	2				
	C20	252126-6	HEX. LOCK NUT M4-7	2				
	D10		INC. 32					
002		266429-2	TAPPING SCREW 3X16	8				
003		851W90-2	DTW190 NAME PLATE	1				
005		452399-3	F/R CHANGE LEVER	1				
006A		632G35-1	SWITCH UNIT	1			B5112	
006B		632G35-1	SWITCH UNIT	1			B5112	
006C		632G35-1	SWITCH UNIT	1			B5112	
006D		632G35-1	SWITCH UNIT	1			B5112	
006-1A		632J82-0	SWITCH UNIT	1	<	B5112		
006-1B		632J82-0	SWITCH UNIT	1	<	B5112		
006-1C		632J82-0	SWITCH UNIT	1	<	B5112		
006-1D		632J82-0	SWITCH UNIT	1	<	B5112		
006-1E		632J82-0	SWITCH UNIT	1				
006-1G		632J82-0	SWITCH UNIT	1				
	C30	654086-2	RECEPTACLE	2		DE372		
	C40	654199-9	RECEPTACLE	2		DE372		
007		643852-2	TERMINAL	1				
008		231907-1	RING SPRING 10	1				
012		266374-1	TAPPING SCREW 4X25	4				
013		143646-0	HAMMER CASE COMPLETE	1				
	C10	213214-4	O RING 16	1			B4051	
	C11	213207-1	O RING 16	1	O	B4051	C5341	
	C12	213882-3	O-RING 16	1	<	C5341		
	C10	213214-4	O RING 16	1			B4051	
	C11	213207-1	O RING 16	1	O	B4051	C5341	
	C12	213882-3	O-RING 16	1	<	C5341		

A:DTW190Z(N)
 B:DTW190RFE(H)
 C:DTW190RME(H)
 D:DTW190RTE(H)
 E:DTW190RYE(H)
 G:DTW190SF1J(H)

Interchange
 O : Yes
 X : No
 < : the new part can be substituted for the current.
 > : the current part can be substituted for the new.
 S : Interchangeable as a set.

TH	THAILAND
----	----------

DTW190 / CORDLESS IMPACT WRENCH

Item	Sub	Parts No.	Parts Description	Qty	I/C	E/C No.	Close No.	Remark
	C10	213214-4	O RING 16	1			B4051	
	C11	213207-1	O RING 16	1	O	B4051	C5341	
	C12	213882-3	O-RING 16	1	<	C5341		
	C10	213214-4	O RING 16	1			B4051	
	C11	213207-1	O RING 16	1	O	B4051	C5341	
	C12	213882-3	O-RING 16	1	<	C5341		
	C11	213207-1	O RING 16	1			C5341	
	C12	213882-3	O-RING 16	1	<	C5341		
	C12	213882-3	O-RING 16	1				
014		261151-6	NYLON WASHER 19	1				
016A		135745-2	ANVIL E ASSEMBLY	1			B3421	
	D10		INC. 8				B3421	
016B		135745-2	ANVIL E ASSEMBLY	1			B3421	
	D10		INC. 8				B3421	
016C		135745-2	ANVIL E ASSEMBLY	1			B3421	
	D10		INC. 8				B3421	
016D		135745-2	ANVIL E ASSEMBLY	1			B3421	
	D10		INC. 8				B3421	
016-1A		135796-5	ANVIL E ASSEMBLY	1	<	B3421		
	D10		INC. 8			B3421		
016-1B		135796-5	ANVIL E ASSEMBLY	1	<	B3421		
	D10		INC. 8			B3421		
016-1C		135796-5	ANVIL E ASSEMBLY	1	<	B3421		
	D10		INC. 8			B3421		
016-1D		135796-5	ANVIL E ASSEMBLY	1	<	B3421		
	D10		INC. 8			B3421		
016-1E		135796-5	ANVIL E ASSEMBLY	1				
	D10		INC. 8					
016-1G		135796-5	ANVIL E ASSEMBLY	1				
	D10		INC. 8					
017		326110-8	HAMMER	1				
018		216040-0	STEEL BALL 3.5	24				
019		267175-0	FLAT WASHER 24	1				
020		233430-2	COMPRESSION SPRING 24	1				
021		267766-7	CUP WASHER 14	1				
022		216041-8	STEEL BALL 5.6	2				
023		227362-3	SPUR GEAR 22	2				
024		326109-3	SPINDLE	1				
025		256253-1	PIN 5	2				
026		267212-0	FLAT WASHER 12	1				
027		227279-0	INTERNAL GEAR 51	1				
028		210107-6	BALL BEARING 6001ZZ	1				
029		453056-6	INTERNAL GEAR CASE	1				
030		629195-6	DC MOTOR	1				
031		424476-1	CUSHION	1				
032A		183D73-3	HOUSING SET	1			B4946	
	C10	263005-3	RUBBER PIN 6	2			B4946	
	C20	252126-6	HEX. LOCK NUT M4-7	2			B4946	
	D10		INC. 1				B4946	
032B		183D73-3	HOUSING SET	1			B4946	
	C10	263005-3	RUBBER PIN 6	2			B4946	
	C20	252126-6	HEX. LOCK NUT M4-7	2			B4946	
	D10		INC. 1				B4946	
032C		183D73-3	HOUSING SET	1			B4946	
	C10	263005-3	RUBBER PIN 6	2			B4946	
	C20	252126-6	HEX. LOCK NUT M4-7	2			B4946	
	D10		INC. 1				B4946	
032D		183D73-3	HOUSING SET	1			B4946	
	C10	263005-3	RUBBER PIN 6	2			B4946	
	C20	252126-6	HEX. LOCK NUT M4-7	2			B4946	
	D10		INC. 1				B4946	
032-1A		183D73-3	HOUSING SET	1	<	B4946		
	C10	263005-3	RUBBER PIN 6	2		B4946		
	C20	252126-6	HEX. LOCK NUT M4-7	2		B4946		
	D10		INC. 1			B4946		

A:DTW190Z(N)
 B:DTW190RFE(H)
 C:DTW190RME(H)
 D:DTW190RTE(H)
 E:DTW190RYE(H)
 G:DTW190SF1J(H)

Interchange
 O : Yes
 X : No
 < : the new part can be substituted for the current.
 > : the current part can be substituted for the new.
 S : Interchangeable as a set.

TH	THAILAND
----	----------

DTW190 / CORDLESS IMPACT WRENCH

Item	Sub	Parts No.	Parts Description	Qty	I/C	E/C No.	Close No.	Remark
032-1B		183D73-3	HOUSING SET	1	<	B4946		
	C10	263005-3	RUBBER PIN 6	2		B4946		
	C20	252126-6	HEX. LOCK NUT M4-7	2		B4946		
	D10		INC. 1			B4946		
032-1C		183D73-3	HOUSING SET	1	<	B4946		
	C10	263005-3	RUBBER PIN 6	2		B4946		
	C20	252126-6	HEX. LOCK NUT M4-7	2		B4946		
	D10		INC. 1			B4946		
032-1D		183D73-3	HOUSING SET	1	<	B4946		
	C10	263005-3	RUBBER PIN 6	2		B4946		
	C20	252126-6	HEX. LOCK NUT M4-7	2		B4946		
	D10		INC. 1			B4946		
032-1E		183D73-3	HOUSING SET	1				
	C10	263005-3	RUBBER PIN 6	2				
	C20	252126-6	HEX. LOCK NUT M4-7	2				
	D10		INC. 1					
032-1G		183D73-3	HOUSING SET	1				
	C10	263005-3	RUBBER PIN 6	2				
	C20	252126-6	HEX. LOCK NUT M4-7	2				
	D10		INC. 1					
033		268284-8	PIN 1.5	1				
034		263036-2	RUBBER PIN 5	1				
A01B		141856-3	PLASTIC CARRYING CASE COMPLETE	1				
	C10	162302-3	LATCH	2				
	C20	324207-7	SHAFT	1				
	C30	451749-9	HANDLE	1				
A01C		141856-3	PLASTIC CARRYING CASE COMPLETE	1				
	C10	162302-3	LATCH	2				
	C20	324207-7	SHAFT	1				
	C30	451749-9	HANDLE	1				
A01D		141856-3	PLASTIC CARRYING CASE COMPLETE	1				
	C10	162302-3	LATCH	2				
	C20	324207-7	SHAFT	1				
	C30	451749-9	HANDLE	1				
A01E		141856-3	PLASTIC CARRYING CASE COMPLETE	1				
	C10	162302-3	LATCH	2				
	C20	324207-7	SHAFT	1				
	C30	451749-9	HANDLE	1				
A01G		821550-0	CONNECTOR PLASTIC CASE (TYPE2)	1				
	C10	453974-8	LATCH	4				
A02B		808M86-4	DTW190RFE PLASTIC CASE LABEL	2				
A02C		808M91-1	DTW190RME PLASTIC CASE LABEL	2				
A02D		808M96-1	DTW190RTE PLASTIC CASE LABEL	2				
A02E		817H35-0	DTW190RYE PLASTIC CASE LABEL	2				
A02G		838550-3	INNER TRAY	1				
A03B		***DC18RC	DC18RC FAST CHARGER	1				
	D10		COMPO-PARTS					
A03C		***DC18RC	DC18RC FAST CHARGER	1				
	D10		COMPO-PARTS					
A03D		***DC18RC	DC18RC FAST CHARGER	1				
	D10		COMPO-PARTS					
A03E		***DC18RC	DC18RC FAST CHARGER	1				
	D10		COMPO-PARTS					
A03G		819T14-6	DTW190SF1J INDICATION LABEL	1				
A04B		196015-4	BATTERY BL1830 SET	2			B2535	
A04C		197265-4	BATTERY BL1840B SET	2			C5218	
A04D		197280-8	BATTERY BL1850B SET	2			C2803	
A04E		196448-3	BATTERY BL1815N SET	2			C1574	
A04G		819T15-4	DTW190SF1J PLASTIC CASE LABEL	2				
A04-1B		197600-6	BATTERY BL1830B SET	2	<	B2535	C2803	
A04-1C		197265-4	BATTERY BL1840B SET	2	O	C5218		
A04-1D		199282-0	BATTERY BL1850B SET	2	<	C2803	D0161	
A04-1E		196235-0	BATTERY BL1815N SET	2	O	C1574	C2803	
A04-2B		199283-8	BATTERY BL1830B SET	2	<	C2803	D0159	
A04-2D		199282-0	BATTERY BL1850B SET	2	<	D0161		

A:DTW190Z(N)
 B:DTW190RFE(H)
 C:DTW190RME(H)
 D:DTW190RTE(H)
 E:DTW190RYE(H)
 G:DTW190SF1J(H)

Interchange
 O : Yes
 X : No
 < : the new part can be substituted for the current.
 > : the current part can be substituted for the new.
 S : Interchangeable as a set.

