



TH	THAILAND
----	----------

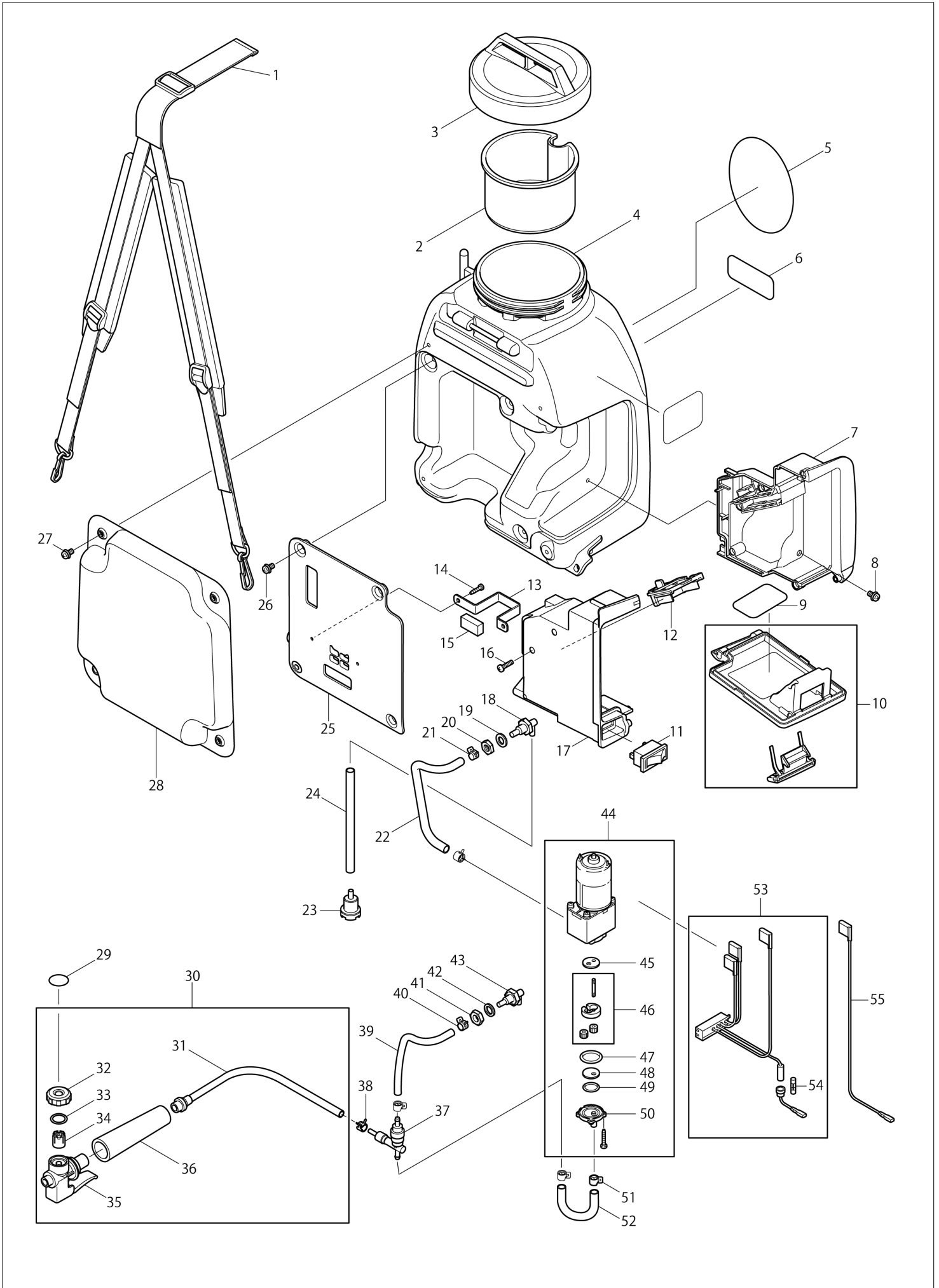
Diagram / Parts List

DVF104

CORDLESS GARDEN SPRAYER



(TH) DVF104 / CORDLESS GARDEN SPRAYER



TH	THAILAND
-----------	-----------------

DVF104 / CORDLESS GARDEN SPRAYER

Item	Sub	Parts No.	Parts Description	Qty	I/C	E/C No.	Close No.	Remark
001		6954026000	BAND ASS'Y	1				
002		6904503601	STRAINER, TANK	1				
003		6954022000	CAP COMPLETE	1				
004		6954017004	TANK COMPLETE	1				
005		804M18-9	INDICATION LABEL	1				
006-1		806Y36-5	MAKITA LOGO LABEL	1				
007		6951504600	BATTERY HOUSING R	1				
008		0140059260	SCREW	3			C2147	
008-1		911209-8	PAN HEAD SCREW M5X10	3	O	C2147		
009		6954513200	INDICATION LABEL	1				
010		6951036000	COVER ASSY	1				
011		651531-8	SWITCH OR05-11B-BB-2	1				
012		643843-3	TERMINAL	1				
013		6951503501	PLATE, PUMP	1				
014-1		265995-6	TAPPING SCREW 4X18	2				
015-1		424891-9	PUMP CUSHION	1				
016-1		265995-6	TAPPING SCREW 4X18	5				
017		6951504300	BATTERY HOUSING L	1				
018		6951022000	JOINT, ELBOW	1				
019		6951023000	PACKING, ELBOW	1				
020		6951024001	NUT, ELBOW	1				
021		0561100030	HOSE CLAMP	2				
022		6951503601	TUBE1	1				
023		6954021000	STRAINER, SUCTION ASSY	1				
024		6951503900	TUBE4	1				
025		6951503101	PUMP HOLDER	1				
026		0140059260	SCREW	3			C2147	
026-1		911209-8	PAN HEAD SCREW M5X10	3	O	C2147		
027		0140059260	SCREW	4			C2147	
027-1		911209-8	PAN HEAD SCREW M5X10	4	O	C2147		
028		6954025000	CUSHION	1				
029		6954513100	LABEL, CAUTION	1				
030		6957029001	HOSE, SPRAY COMPLETE	1				
	D10		INC. 31-36					
031		6957025012	HOSE COMPLETE	1				
032		6957025060	CAP, LEVER	1				
033		6957025050	O-RING	1				
034		6957025040	STRAINER	1				
035		6957029010	LEVER COMPL	1				
	D10		INC. 32-34					
036		6957025020	GRIP	1				
037		6951021001	REGURATOR COMPLETE	1				
038		0561089980	HOSE CLAMP	1				
039		6951503800	TUBE 3	1				
040		345918-1	HOSE CLAMP	2				
041		6951024001	NUT, ELBOW	1				
042		6951023000	PACKING, ELBOW	1				
043		6951022000	JOINT, ELBOW	1				
044		126194-4	PUMP ASSEMBLY	1				
	C10	629873-8	DC MOTOR	1				
	C20	6951029010	SCREW M3X16	8				
	C30	6951027020	MOTOR BRACKET	1				
	C40	6951029020	SCREW M4X12	2				
	C50	6951027030	MOTOR COUPLING	1				
	C60	6951027010	PUMP COUPLING	1				
	C70	6951027050	PUMP HOUSING SET	1				
	D10		INC. 45-50					
045		6951502900	PLATE 1	1				
046		6951019000	GEAR SET	1				
047		6951502600	O-RING 1	1				
048		6951503000	PLATE 2	1				
049		6951502700	O-RING 2	1				
050		6951502800	COVER	1				
051		0561100030	HOSE CLAMP	2				
052		6951503700	TUBE 2	1				

Interchange
O : Yes
X : No
< : the new part can be substituted for the current.
> : the current part can be substituted for the new.
S : Interchangeable as a set.

