



TH	THAILAND
----	----------

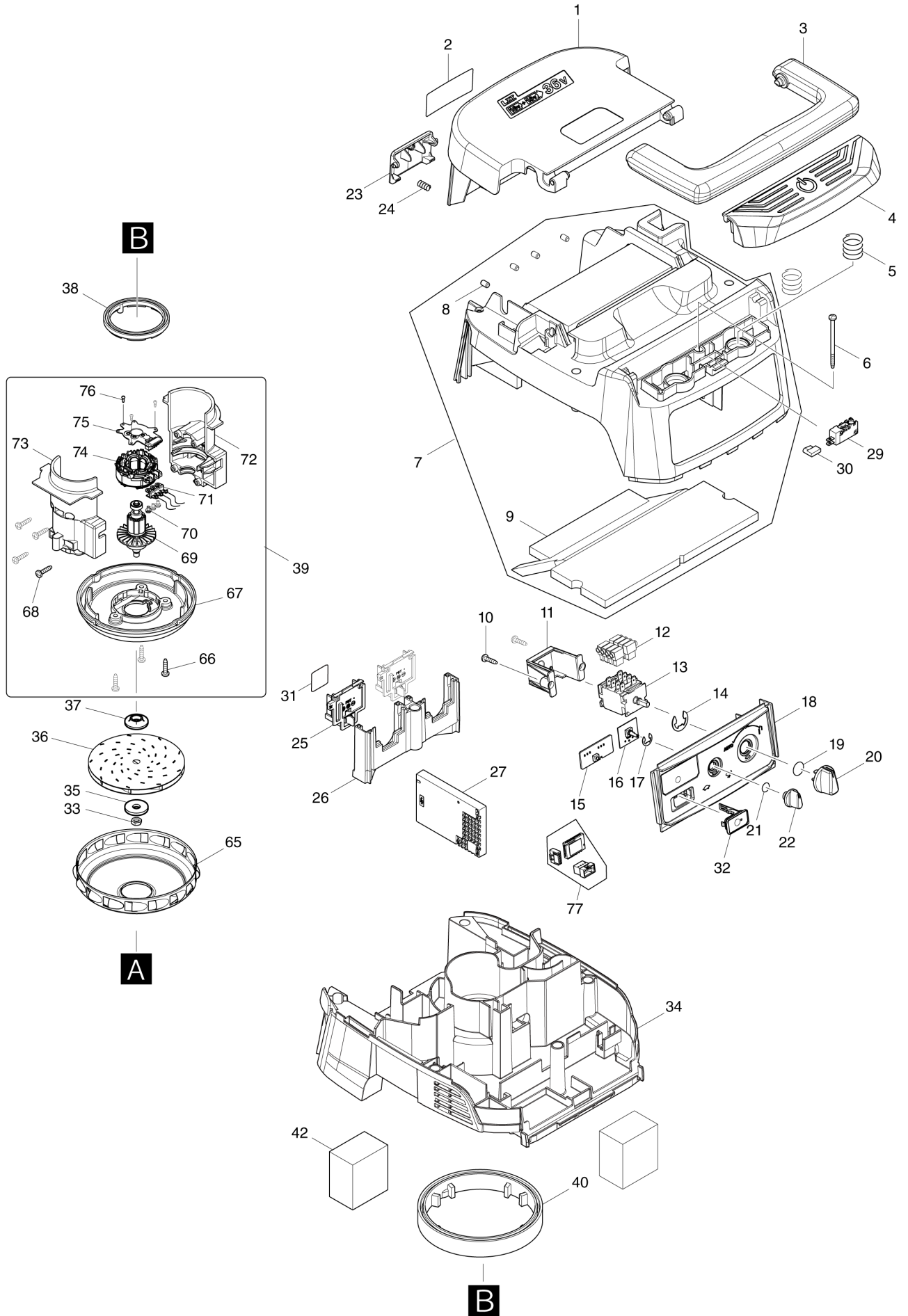
Diagram / Parts List

DVC157L

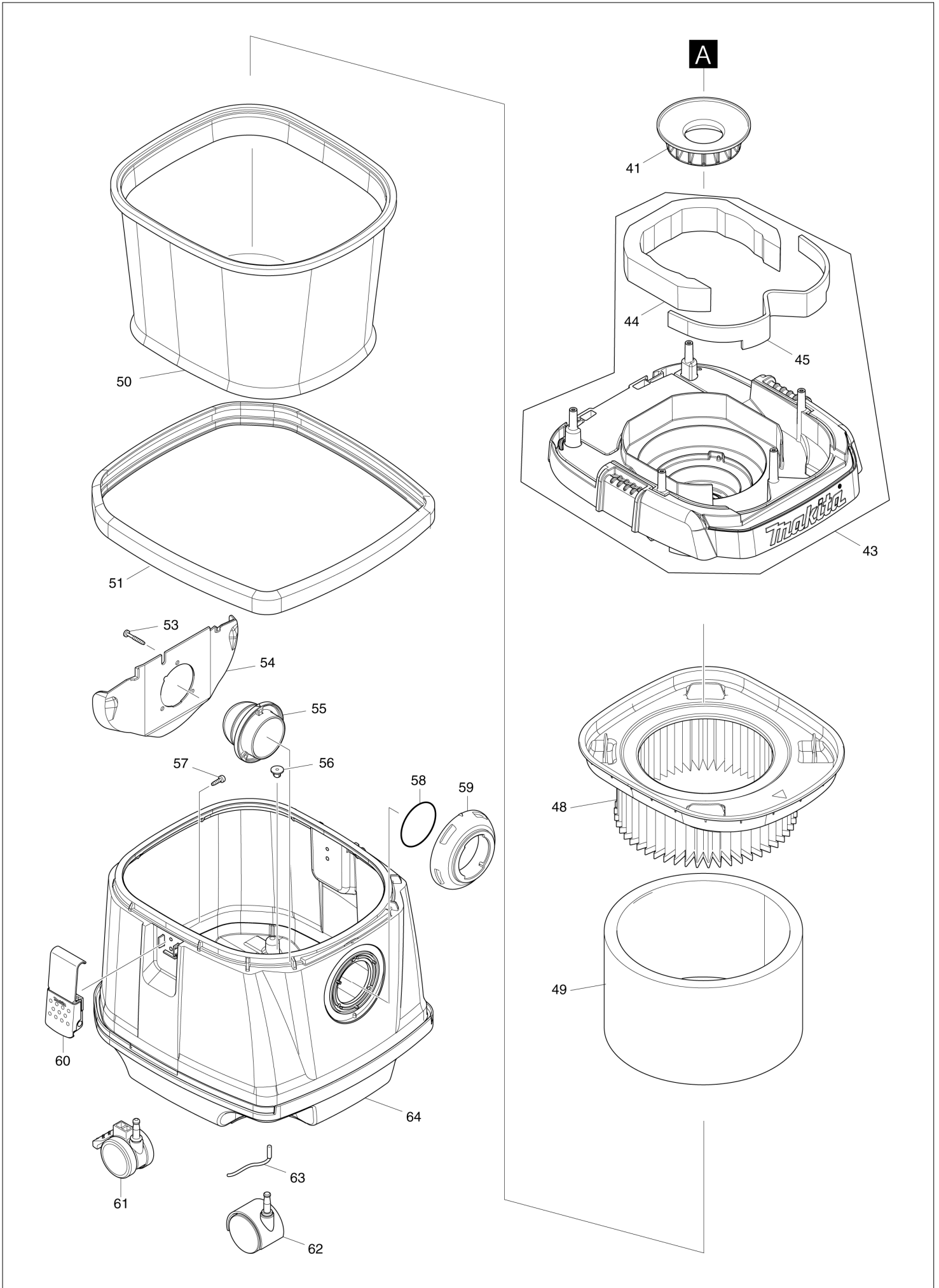
CORDLESS VACUUM CLEANER



(TH) DVC157L / CORDLESS VACUUM CLEANER



(TH) DVC157L / CORDLESS VACUUM CLEANER



TH	THAILAND
----	----------

DVC157L / CORDLESS VACUUM CLEANER

Item	Sub	Parts No.	Parts Description	Qty	I/C	E/C No.	Close No.	Remark
001		144486-9	BATTERY COVER COMPLETE	1				
	C10	891977-8	CAUTION LABEL	1				
002		857C08-1	DVC157L NAME PLATE	1				
003		455734-4	GRIP	1				
004		459262-1	SWITCH BUTTON	1				
005		234273-5	COMPRESSION SPRING 20	2				
006		266340-8	TAPPING SCREW 4X65	6				
007		144973-8	COWLING COMPLETE	1				
	D10		INC. 8,9					
008		263005-3	RUBBER PIN 6	4				
009		424688-6	TOP DAMPER	1				
010		266326-2	TAPPING SCREW 4X18	2				
011		451343-7	SWITCH HOLDER	1				
012		686023-8	RECEPTACLE SLEEVE	8				
013		651098-6	SWITCH 1703.4801	1				
014		961062-2	STOP RING E-12	1				
015		620D40-2	LED CIRCUIT	1				
016		620D39-7	SUB CONTROLLER	1				
017		961013-5	STOP RING E-7	1				
018		140T97-8	SWITCH BASE COMPLETE	1				
	C10	812D41-6	INDICATION LABEL	1				
019		213176-6	O RING 14	1				
020		455733-6	SWITCH LEVER	1				
021		213054-0	O RING 9	1				
022		451344-5	SWITCH DIAL	1				
023		455728-9	BATTERY COVER HOOK	1				
024		231240-1	COMPRESSION SPRING 7	1				
025		644808-8	TERMINAL	2				
026		455729-7	TERMINAL BASE	1				
027		620D20-8	CONTROLLER	1				
029		651910-0	SWITCH D2VW-01-3HS	1				
030		686039-3	RECEPTACLE SLEEVE	1				
031		857C16-2	DVC157L SERIAL NO. LABEL	1				
032		140G18-2	CAP COMPLETE	1				
	C10	213218-6	O RING 16	1			DA223	
	C11	213A05-9	O-RING16	1	O	DA223		
	C20	818F57-1	CAP LABEL	1				
033		252268-6	HEX. NUT M6	1				
034		412581-6	SEPARATOR	1				
035		253752-4	FLAT WASHER 8	1				
036		240178-9	FAN 104	1				
037		313062-2	FLANGE	1				
038		424685-2	RUBBER RING 60	1				
039		127653-1	MOTOR ASSEMBLY	1				
	D10		INC. 66-76					
040		424686-0	RUBBER RING 120	1				
041		422590-7	SUPPORT RING	1				
042		424690-9	REAR BLOCK FILTER	2				
043		143175-3	TANK COVER COMPLETE	1				
	D10		INC. 44,45					
044		424691-7	BAND DAMPER	1				
045		424689-4	FRONT DAMPER	1				
048		197166-6	POWDER FILTER H SET	1				
049		423398-2	DAMPER	1				
050		140253-0	PRE-FILTER COMPLETE	1				
051		422148-2	BUMPER	1				
053		266257-5	TAPPING SCREW 4X28	3				
054		419351-4	HOLDER PLATE	1				
055		419350-6	HOLDER	1				
056		421468-1	CORD SEAL	1				
057		266192-7	TAPPING SCREW 4X14	4				
058		213655-4	O RING 56	1				
059		451348-7	INLET	1				
060		168537-4	HOOK	2				
061		168535-8	CASTER 50	2				

A:DVC157LZX3(N)

Interchange
 O : Yes
 X : No
 < : the new part can be substituted for the current.
 > : the current part can be substituted for the new.
 S : Interchangeable as a set.

TH	THAILAND
----	----------

DVC157L / CORDLESS VACUUM CLEANER

Item	Sub	Parts No.	Parts Description	Qty	I/C	E/C No.	Close No.	Remark
062		168434-4	CASTER 50	2				
063		649150-2	EARTH LINE 120	1				
064		459493-2	TANK	1				
065		347171-5	FAN COVER	1				
066		266326-2	TAPPING SCREW 4X18	3				
067		457486-3	FAN BASE	1				
068		266326-2	TAPPING SCREW 4X18	4				
069		619431-8	ROTOR	1				
070		652069-6	FLAT HEAD SCREW M3X6	3				
071		632J83-8	LEAD UNIT	1				
072		183F90-5	MOTOR HOUSING SET	1				
	D10		INC. 73					
073		183F90-5	MOTOR HOUSING SET	1				
	D10		INC. 72					
074		629491-2	STATOR	1				
075		620D38-9	CONTROLLER B	1				
076		266490-9	TAPPING SCREW PT 2X6	3				
077		620D41-0	SUB CONTROLLER	1				
A01		195433-3	HOSE COMPLETE 28-3.5 SET	1				
	C10	417191-4	CUFF LOCK	1				
	C20	417586-1	STOPPER	1				
	C30	417662-1	SLEEVE	1				
	C40	417766-9	FRONT CUFF 38	1				
	D10		INC. A03,A04					
A02		195432-5	POLY BAG SET(650X650)	1				
A03		417765-1	FRONT CUFF 22	1				
A04		424379-9	FRONT CUFF 24	1				
A06		195434-1	HOSE COMPLETE 38-2.5 SET	1				
	C10	417191-4	CUFF LOCK	1				
	C20	417306-3	SLEEVE	2				
	C30	417307-1	FRONT CUFF	1				
	C40	417586-1	STOPPER	2				
A07		199455-5	NOZZLE ASSEMBLY SET	1				
A08		192563-1	STRAIGHT PIPE SET 565-38	1				
A09		192562-3	BENDING PIPE	1				
A10		410306-2	CORNER NOZZLE	1				
A11		451350-0	STOPPER	1				
A13		199393-1	WIRELESS UNIT SET	1			D4357	
A13-1		199393-1	WIRELESS UNIT SET	1	<	D4357	DB384	
A13-2		199393-1	WIRELESS UNIT SET	1	<	DB384		
A14		911138-5	P.H.SCREW M4X20 WITH WR	1				
A15		127607-8	TOOL BOX ASSEMBLY	1				
F22		191E30-3	FLEXIBLE HOSE SET(LOCK)	1				
F26		191G87-6	NOZZLE ASSEMBLY SET	1				
F27		191G89-2	TELESCOPIC PIPE SET	1				
F30		192236-6	TAPERED NOZZLE SET	1				
F40		195435-9	HOSE COMPLETE 38-5 SET	1				
F41		195436-7	HOSE COMPLETE 28-5 SET	1				
F42		195437-5	HOSE COMPLETE 28-2.5 SET	1				
F44		195544-4	HOLDER 10-33 SET	1				
F45		195545-2	FRONT CUFF 38 SET	1				
F46		195546-0	FRONT CUFF 24 SET	1				
F47		195547-8	FRONT CUFF 22 SET	1				
F48		195548-6	JOINT 22-38 SET	1				
F49		195549-4	T-NOZZLE ASSY A SET(DRY)38	1				
F51		195551-7	T-NOZZLE SET 38	1				
F52		195552-5	DAMPER SET	1				
F53		195553-3	PRE-FILTER SET	1				
F55		195557-5	FILTER BAG SET 15L(5PCS)	1			DK368	
F55-1		195557-5	FILTER BAG SET 15L(5PCS)	1	O	DK368		
F56		195637-7	HOLDER,CUFF SET	1				
F59		197323-6	HOSE STAND SET	1				
F62		198184-7	F/C SWITCHING T-NOZZLE 38	1				
F66		198529-9	FLOOR/CARPET T-NOZZLE BLK EU	1				
F68		198533-8	F/C SWITCHING T-NOZZLE 38 EU	1				

A:DVC157LZX3(N)

Interchange
O : Yes
X : No
< : the new part can be substituted for the current.
> : the current part can be substituted for the new.
S : Interchangeable as a set.

