



TH	THAILAND
----	----------

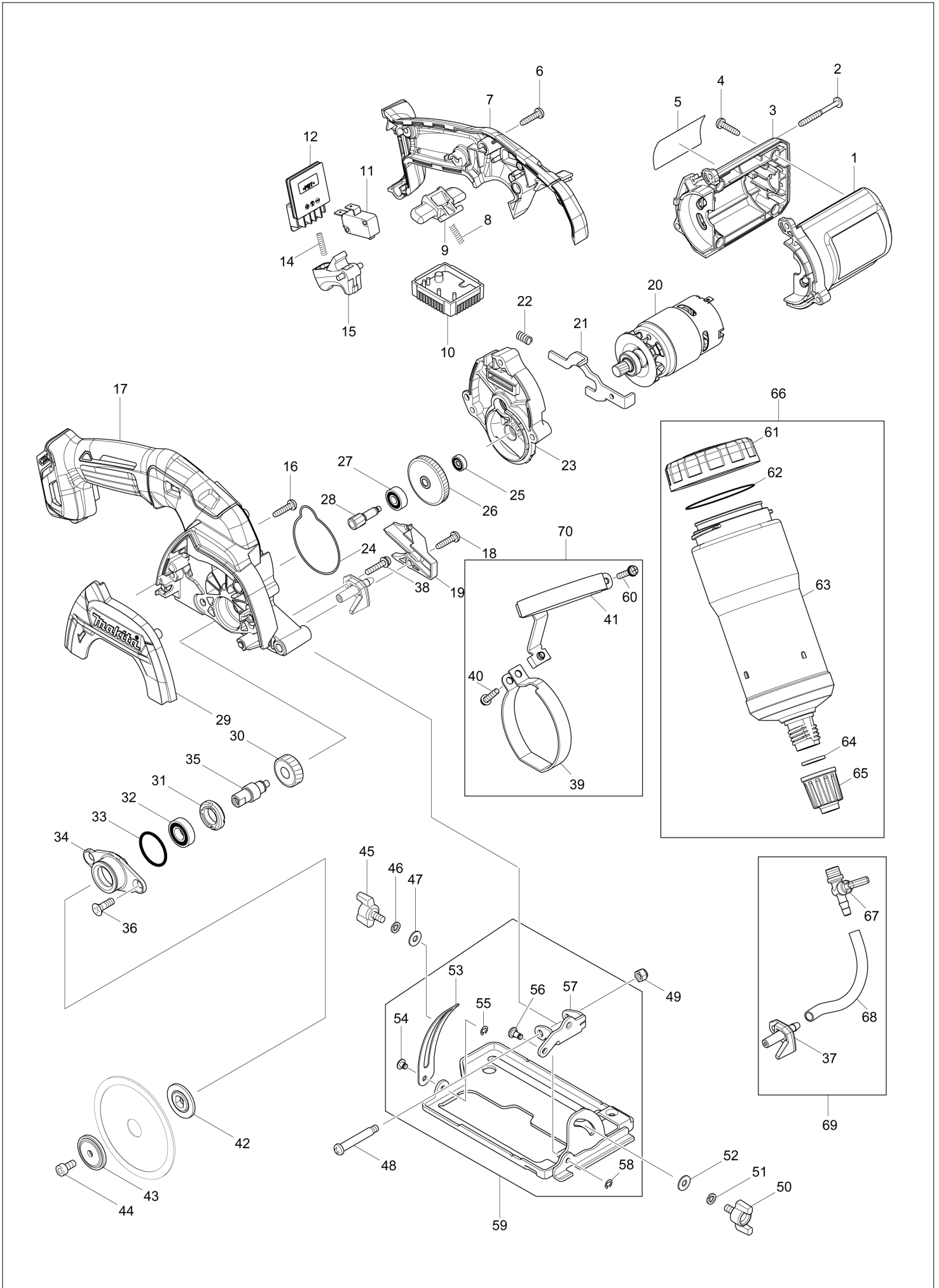
Diagram / Parts List

CC301D

85MM CORDLESS CUTTER



(TH) CC301D / 85MM CORDLESS CUTTER



TH	THAILAND
-----------	-----------------

CC301D / 85MM CORDLESS CUTTER

Item	Sub	Parts No.	Parts Description	Qty	I/C	E/C No.	Close No.	Remark
001		188941-1	MOTOR HOUSING SET	1				
	D10		INC. 3					
002		266560-4	TAPPING SCREW 4X40	3				
003		188941-1	MOTOR HOUSING SET	1				
	D10		INC. 1					
004		265995-6	TAPPING SCREW 4X18	4				
005		852H03-6	CC301D NAME PLATE	1			Y07746	
005-1		852H02-8	CC301D NAME PLATE	1	<	Y07746		
006		265995-6	TAPPING SCREW 4X18	6				
007		183D87-2	HANDLE SET	1				
	C10	263002-9	RUBBER PIN 4	2				
	C20	931102-0	HEX. NUT M4	1				
	C30	931202-6	HEX. NUT M5	3				
	D10		INC. 17					
008		231469-9	COMPRESSION SPRING 4	1				
009		419664-3	LOCK OFF LEVER	1				
010		632F84-2	CONTROLLER UNIT	1			C0482	
010-1		632L91-1	CONTROLLER UNIT	1	<	C0482		
	C30	654086-2	RECEPTACLE	2		DE372		
011		650577-1	SWITCH SD-006-BB2AA-AA	1				
012		644813-5	TERMINAL	1				
014		231469-9	COMPRESSION SPRING 4	1				
015		419665-1	SWITCH LEVER	1				
016		265995-6	TAPPING SCREW 4X18	2				
017		183D87-2	HANDLE SET	1				
	C10	263002-9	RUBBER PIN 4	2				
	C20	931102-0	HEX. NUT M4	1				
	C30	931202-6	HEX. NUT M5	3				
	D10		INC. 7					
018		265995-6	TAPPING SCREW 4X18	1				
019		452234-5	DUCT	1				
020		629885-1	DC MOTOR	1				
021		346337-4	SHAFT LOCK	1				
022		233117-6	COMPRESSION SPRING 6	1				
023		140625-9	GEAR HOUSING COMPLETE	1				
	C10	213325-5	O RING 19	1				
024		424358-7	PACKING	1				
025		210036-3	BALL BEARING 604ZZ	1				
026		227737-6	HELICAL GEAR 47	1				
027		210028-2	BALL BEARING 606ZZ	1				
028		227735-0	HELICAL GEAR 9B	1				
029		456906-4	BLADE COVER	1				
030		227736-8	HELICAL GEAR 28	1				
031		285847-5	BEARING RETAINER 14-23	1				
032		210069-8	BALL BEARING 6900DDW	1				
033		213435-8	O RING 26	1				
034		318660-7	BEARING BOX	1				
035		325983-6	SPINDLE	1				
036		265034-2	+ COUNTERSUNK HEAD SCREW M5X1	2				
037		453555-8	NOZZLE	1				
038		911138-5	P.H.SCREW M4X20 WITH WR	1				
039		346578-2	BAND B	1				
040		911138-5	P.H.SCREW M4X20 WITH WR	1				
041		346579-0	TANK HOLDER	1				
042		224435-3	INNER FLANGE 28	1				
043		224177-9	OUTER FLANGE 28	1				
044		922212-4	HEX. SOCKET HEAD BOLT M5X12	1				
045		265760-3	THUMB SCREW M5X10	1				
046		942101-7	SPRING WASHER 5	1			C3118	
046-1		253427-5	SPRING WASHER 5	1	O	C3118	D1189	
047		941101-4	FLAT WASHER 5	1				
048		265056-2	+ PAN HEAD SCREW M5	1				
049		252103-8	HEX. LOCK NUT M5-8	1				
050		265760-3	THUMB SCREW M5X10	1				
051		942101-7	SPRING WASHER 5	1			C3118	

A:CC301DZ(N)
 B:CC301DWYE(H)
 C:CC301DWAE(H)
 D:CC301DWME(H)

Interchange
 O : Yes
 X : No
 < : the new part can be substituted for the current.
 > : the current part can be substituted for the new.
 S : Interchangeable as a set.

