



TH	THAILAND
----	----------

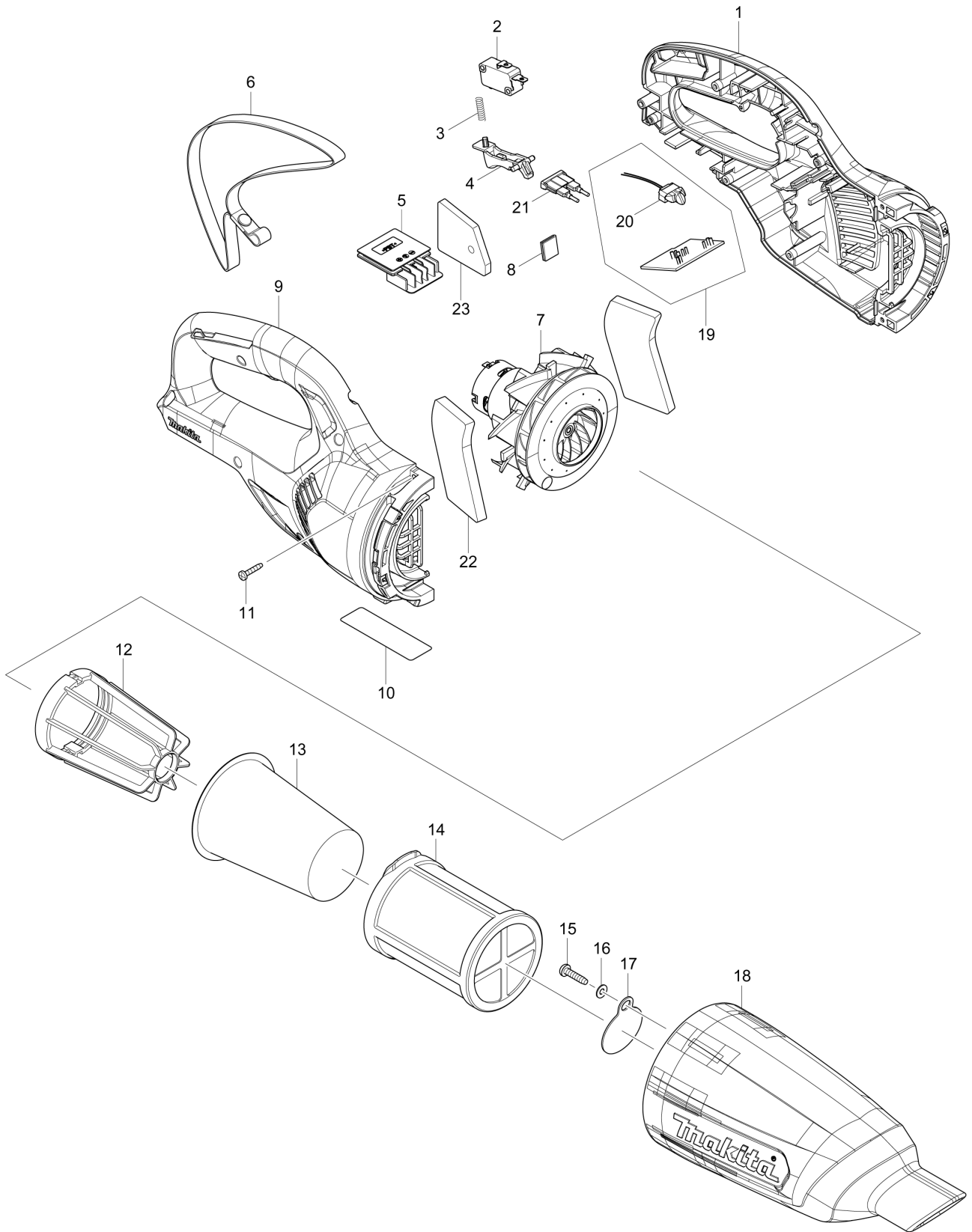
# Diagram / Parts List

**CL106FD**

**CORDLESS CLEANER**



(TH) CL106FD / CORDLESS CLEANER



TH	THAILAND
----	----------

### CL106FD / CORDLESS CLEANER

Item	Sub	Parts No.	Parts Description	Qty	I/C	E/C No.	Close No.	Remark
001A		183E86-0	HOUSING SET	1				
001B		183E88-6	HOUSING SET	1				
001C		183E88-6	HOUSING SET	1				
001D		183E86-0	HOUSING SET	1				
001E		183E88-6	HOUSING SET	1				
001F		183E88-6	HOUSING SET	1				
	D10		INC. 9					
002		650744-8	SWITCH D3V-16-3C26	1				
003		231473-8	COMPRESSION SPRING 4	1				
004		455743-3	SWITCH LEVER	1				
005		644813-5	TERMINAL	1				
006		163400-6	HANDSTRAP	1		DB918		
007		123849-2	MOTOR ASSEMBLY	1				
008		424248-4	SPONGE SHEET 15-25	1				
009A		183E86-0	HOUSING SET	1				
009B		183E88-6	HOUSING SET	1				
009C		183E88-6	HOUSING SET	1				
009D		183E86-0	HOUSING SET	1				
009E		183E88-6	HOUSING SET	1				
009F		183E88-6	HOUSING SET	1				
	D10		INC. 1					
010		852S17-1	CL106FD NAME PLATE	1				
011		266429-2	TAPPING SCREW 3X16	7				
012		410237-5	STAY	1			C1159	
012-1		458467-0	STAY	1	<	C1159		
013		443060-3	FILTER	1				
014		451208-3	PRE-FILTER	1				
015		265995-6	TAPPING SCREW 4X18	1			DG793	
015-1		251530-6	TAPPING SCREW 4X18	1	S	DG793		
016		941051-3	FLAT WASHER 4	1			DG793	
017		424208-6	VALVE	1				
018A		457145-9	CAPSULE	1				
018B		457281-1	CAPSULE	1				
018C		457281-1	CAPSULE	1				
018D		457145-9	CAPSULE	1				
018E		457281-1	CAPSULE	1				
018F		457281-1	CAPSULE	1				
019		632H48-8	CONTROLLER UNIT	1			D5628	
	D10		INC. 20				D5628	
019-1		632R92-5	CONTROLLER UNIT	1	<	D5628		
	C20	654086-2	RECEPTACLE	3		DE372		
	C30	654199-9	RECEPTACLE	1		DE372		
	D10		INC. 20			D5628		
020		620601-4	LED CIRCUIT	1			D5628	
020-1		620E97-9	LED CIRCUIT	1	<	D5628		
021		632H63-2	FUSE UNIT	1				
022		424913-5	SPONGE SHEET 35-70	2				
023		422150-5	SPONGE SHEET 38-43	1				
024		422268-2	SPONGE SHEET 57	1		C1159		
A01A		123486-2	FLOOR T-NOZZLE 28 WHI	1				
A01B		123488-8	FLOOR T-NOZZLE 28 BLU	1				
A01C		123488-8	FLOOR T-NOZZLE 28 BLU	1				
A01D		123486-2	FLOOR T-NOZZLE 28 WHI	1				
A01E		123488-8	FLOOR T-NOZZLE 28 BLU	1				
A01F		123488-8	FLOOR T-NOZZLE 28 BLU	1				
	C10	451410-8	ROLLER	4				
	C20	268208-4	PIN 3	4				
	C30	424096-1	WIPER	1			DE874	
	C31	422963-4	WIPER	1	O	DE874		
A02A		451240-7	SASH NOZZLE 28 WHI	1			DA844	
A02B		451243-1	SASH NOZZLE 28 BLU	1			DA844	
A02C		451243-1	SASH NOZZLE 28 BLU	1			DA844	
A02D		451240-7	SASH NOZZLE 28 WHI	1			DA844	
A02E		451243-1	SASH NOZZLE 28 BLU	1			DA844	
A02F		451243-1	SASH NOZZLE 28 BLU	1			DA844	

A:CL106FDZW(N)  
 B:CL106FDWM(H)  
 C:CL106FDZ(N)  
 D:CL106FDWMW(H)  
 E:CL106FDWA(H)  
 F:CL106FDWY(H)

Interchange  
 O : Yes  
 X : No  
 < : the new part can be substituted for the current.  
 > : the current part can be substituted for the new.  
 S : Interchangeable as a set.

