



TH	THAILAND
----	----------

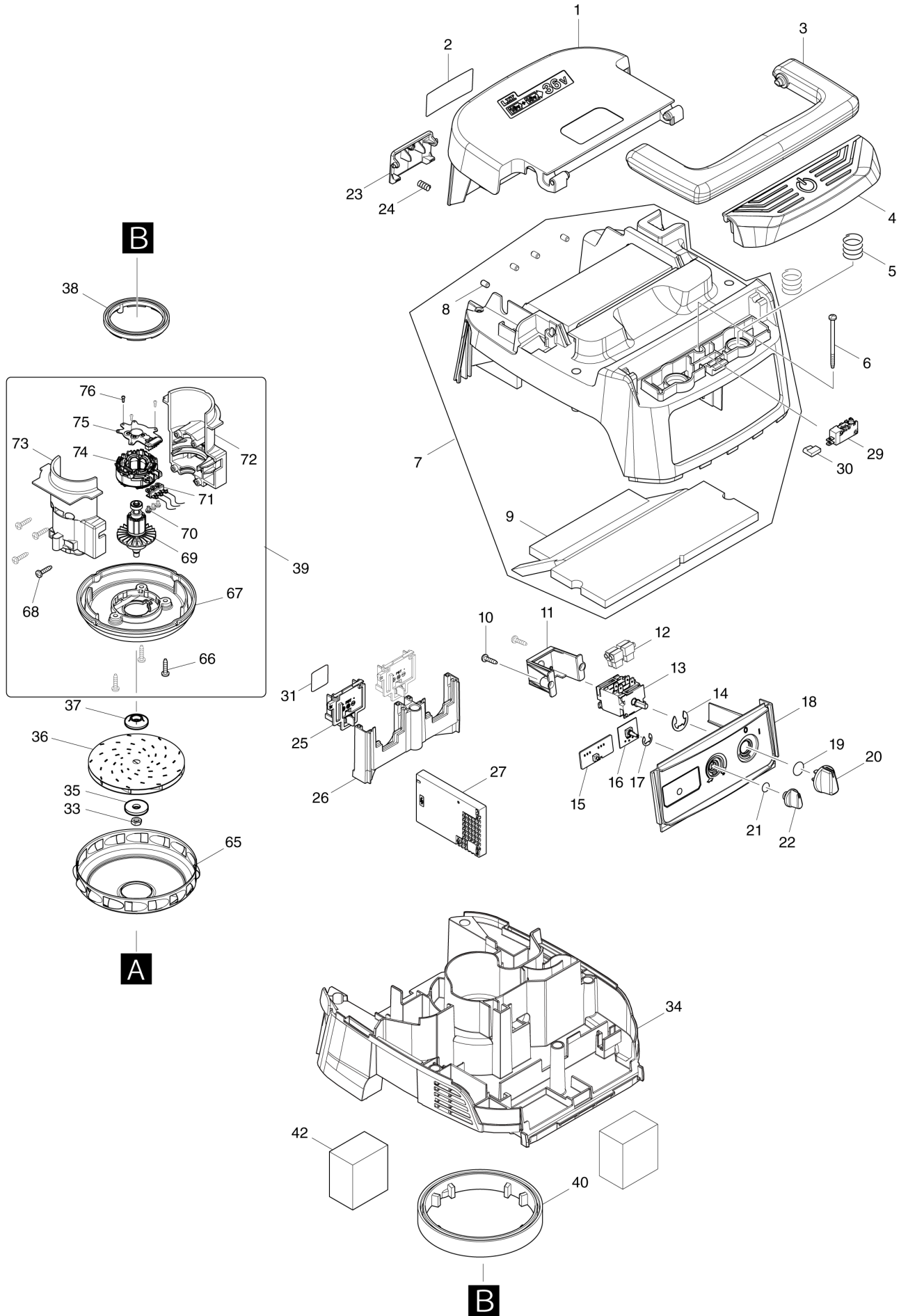
Diagram / Parts List

DVC865L

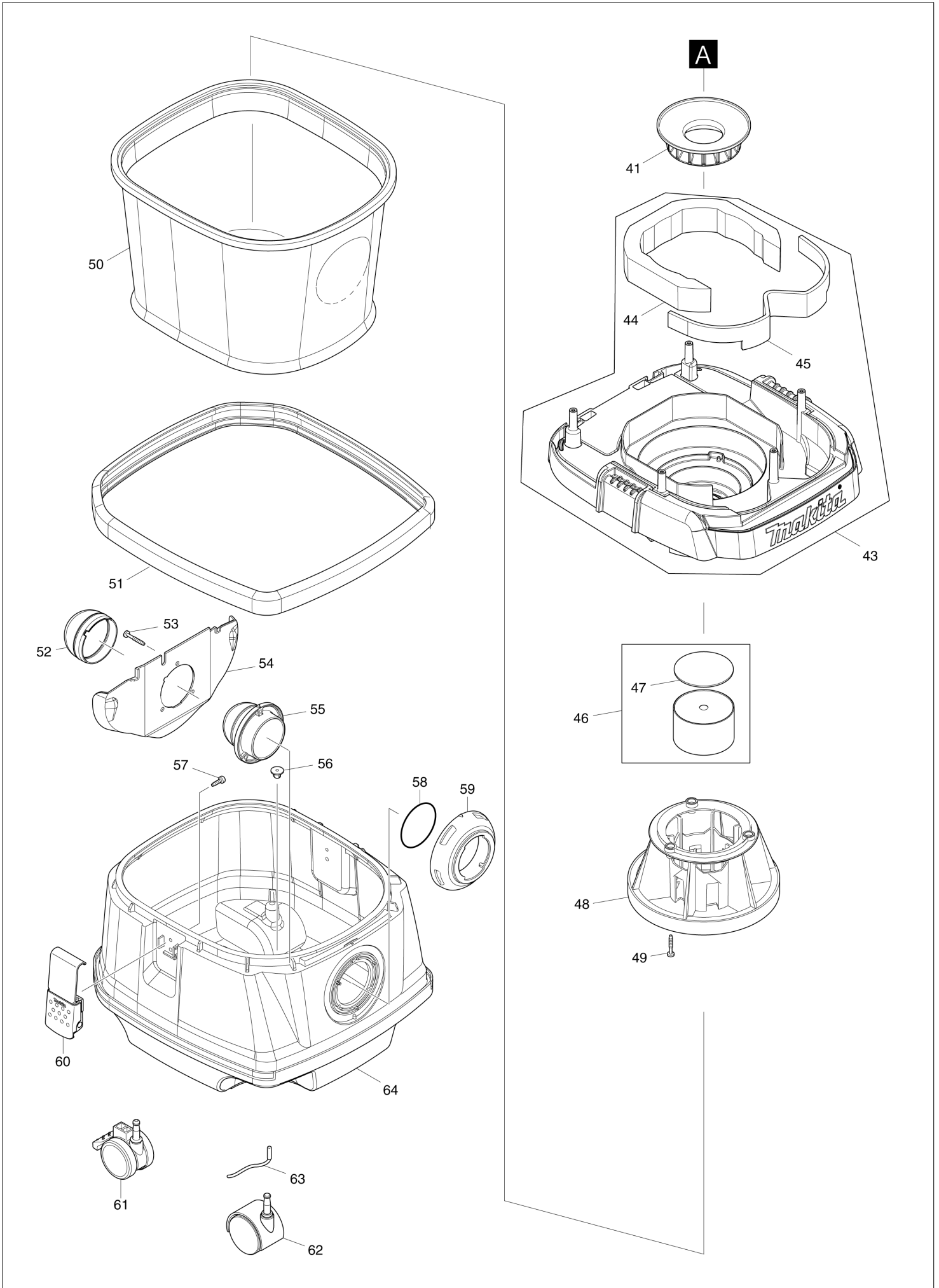
CORDLESS VACUUM CLEANER



(TH) DVC865L / CORDLESS VACUUM CLEANER



(TH) DVC865L / CORDLESS VACUUM CLEANER



TH	THAILAND
-----------	-----------------

DVC865L / CORDLESS VACUUM CLEANER

Item	Sub	Parts No.	Parts Description	Qty	I/C	E/C No.	Close No.	Remark
001		143174-5	BATTERY COVER COMPLETE	1				
	C10	891977-8	CAUTION LABEL	1				
002		857B13-2	DVC865L NAME PLATE	1				
003		455734-4	GRIP	1				
004		459262-1	SWITCH BUTTON	1				
005		234273-5	COMPRESSION SPRING 20	2				
006		266340-8	TAPPING SCREW 4X65	6				
007		144409-7	COWLING COMPLETE	1				
	D10		INC. 8,9					
008		263005-3	RUBBER PIN 6	4				
009		424688-6	TOP DAMPER	1				
010		266326-2	TAPPING SCREW 4X18	2				
011		451343-7	SWITCH HOLDER	1				
012		686023-8	RECEPTACLE SLEEVE	4				
013		650622-2	SWITCH	1				
014		961062-2	STOP RING E-12	1				
015		620649-6	LED CIRCUIT	1				
016		631922-9	SUB CONTROLLER	1				
017		961013-5	STOP RING E-7	1				
018		144479-6	SWITCH BASE COMPLETE	1				
	C10	812D41-6	INDICATION LABEL	1				
019		213176-6	O RING 14	1				
020		455733-6	SWITCH LEVER	1				
021		213054-0	O RING 9	1				
022		451344-5	SWITCH DIAL	1				
023		455728-9	BATTERY COVER HOOK	1				
024		231240-1	COMPRESSION SPRING 7	1				
025		644808-8	TERMINAL	2				
026		455729-7	TERMINAL BASE	1				
027		620639-9	CONTROLLER	1				
029		651910-0	SWITCH D2VW-01-3HS	1				
030		686039-3	RECEPTACLE SLEEVE	1				
031		857B21-3	DVC865L SERIAL NO. LABEL	1				
033		252268-6	HEX. NUT M6	1				
034		412581-6	SEPARATOR	1				
035		253752-4	FLAT WASHER 8	1				
036		240178-9	FAN 104	1				
037		313062-2	FLANGE	1				
038		424685-2	RUBBER RING 60	1				
039		127602-8	MOTOR ASSEMBLY	1				
	D10		INC. 66-76					
040		424686-0	RUBBER RING 120	1				
041		422590-7	SUPPORT RING	1				
042		424690-9	REAR BLOCK FILTER	2				
043		143175-3	TANK COVER COMPLETE	1				
	D10		INC. 44,45					
044		424691-7	BAND DAMPER	1				
045		424689-4	FRONT DAMPER	1				
046		158166-1	FLOAT COMPLETE	1				
	D10		INC. 47					
047		423365-7	SPONGE SEAL 70	1				
048		419725-9	FLOAT CAGE	1				
049		266374-1	TAPPING SCREW 4X25	3				
050		140248-3	CLOTH FILTER COMPLETE	1				
051		422148-2	BUMPER	1				
052		424382-0	RUBBER HOLDER	1				
053		266257-5	TAPPING SCREW 4X28	3				
054		419351-4	HOLDER PLATE	1				
055		419350-6	HOLDER	1				
056		421468-1	CORD SEAL	1				
057		266192-7	TAPPING SCREW 4X14	4				
058		213655-4	O RING 56	1				
059		451348-7	INLET	1				
060		168537-4	HOOK	2				
061		168535-8	CASTER 50	2				

A:DVC865LZX2(N)

Interchange

O : Yes

X : No

< : the new part can be substituted for the current.

> : the current part can be substituted for the new.

S : Interchangeable as a set.

TH	THAILAND
----	----------

DVC865L / CORDLESS VACUUM CLEANER

Item	Sub	Parts No.	Parts Description	Qty	I/C	E/C No.	Close No.	Remark
062		168434-4	CASTER 50	2				
063		649150-2	EARTH LINE 120	1				
064		451334-8	TANK	1				
065		347171-5	FAN COVER	1				
066		266326-2	TAPPING SCREW 4X18	3				
067		457486-3	FAN BASE	1				
068		266326-2	TAPPING SCREW 4X18	4				
069		619431-8	ROTOR	1				
070		652069-6	FLAT HEAD SCREW M3X6	3				
071		632J83-8	LEAD UNIT	1				
072		183F90-5	MOTOR HOUSING SET	1				
	D10		INC. 73					
073		183F90-5	MOTOR HOUSING SET	1				
	D10		INC. 72					
074		629491-2	STATOR	1				
075		620648-8	CONTROLLER B	1				
076		266490-9	TAPPING SCREW PT 2X6	3				
A01		199493-7	HOSE COMPLETE 32-1.7 SET	1				
A02		195432-5	POLY BAG SET(650X650)	1				
A03		198919-6	LONG SASH NOZZLE SET 28 WHI	1				
A04		191G86-8	NOZZLE ASSEMBLY SET	1				
A05		140G19-0	TELESCOPIC PIPE COMPLETE	1				
A06		140G26-3	BENT PIPE COMPLETE	1				
A08		127606-0	TOOL BOX ASSEMBLY	1				
	C10	451410-8	ROLLER	2				
	C20	268208-4	PIN 3	2				
	C30	266326-2	TAPPING SCREW 4X18	4				
A09		911133-5	PAN HEAD SCREW M4X18	1				
A11		451350-0	STOPPER	1				
F22		191E30-3	FLEXIBLE HOSE SET(LOCK)	1				
F26		191G87-6	NOZZLE ASSEMBLY SET	1				
F27		191G89-2	TELESCOPIC PIPE SET	1				
F30		192236-6	TAPERED NOZZLE SET	1				
F40		195435-9	HOSE COMPLETE 38-5 SET	1				
F41		195436-7	HOSE COMPLETE 28-5 SET	1				
F42		195437-5	HOSE COMPLETE 28-2.5 SET	1				
F44		195544-4	HOLDER 10-33 SET	1				
F45		195545-2	FRONT CUFF 38 SET	1				
F46		195546-0	FRONT CUFF 24 SET	1				
F47		195547-8	FRONT CUFF 22 SET	1				
F48		195548-6	JOINT 22-38 SET	1				
F49		195549-4	T-NOZZLE ASSY A SET(DRY)38	1				
F50		195550-9	T-NOZZLE ASSY B SET(WET)38	1				
F51		195551-7	T-NOZZLE SET 38	1				
F52		195552-5	DAMPER SET	1				
F53		195553-3	PRE-FILTER SET	1				
F54		195555-9	FILTER FOR WATER SET	1				
F55		195557-5	FILTER BAG SET 15L(5PCS)	1			DK368	
F55-1		1912R3-4	FILTER BAG SET	1	O	DK368		
F56		195637-7	HOLDER,CUFF SET	1				
F59		197323-6	HOSE STAND SET	1				
F62		198184-7	F/C SWITCHING T-NOZZLE 38	1				
F66		198529-9	FLOOR/CARPET T-NOZZLE BLK EU	1				
F68		198533-8	F/C SWITCHING T-NOZZLE 38 EU	1				
F69		198540-1	SHELF BRUSH SET28 BLK EU	1				
F72		198560-5	TELESCOPIC PIPE SET 28 EU	1				
F79		199039-9	SEAT NOZZLE SET 28 BLK	1				
G04		191M77-5	JOINT A 32 SET	1		D6321		
G05		191M78-3	JOINT B 35 SET	1		D6321		
G06		191M79-1	JOINT C 38 SET	1		D6321		
G09		1912G4-5	TELESCOPIC PIPE COMPLETE SET	1		DM164		
G10		1912G5-3	BENT PIPE COMPLETE SET	1		DM164		
G11		413R35-4	STOPPER	1		DM164		

A:DVC865LZX2(N)

Interchange
O : Yes
X : No
< : the new part can be substituted for the current.
> : the current part can be substituted for the new.
S : Interchangeable as a set.