



TH	THAILAND
----	----------

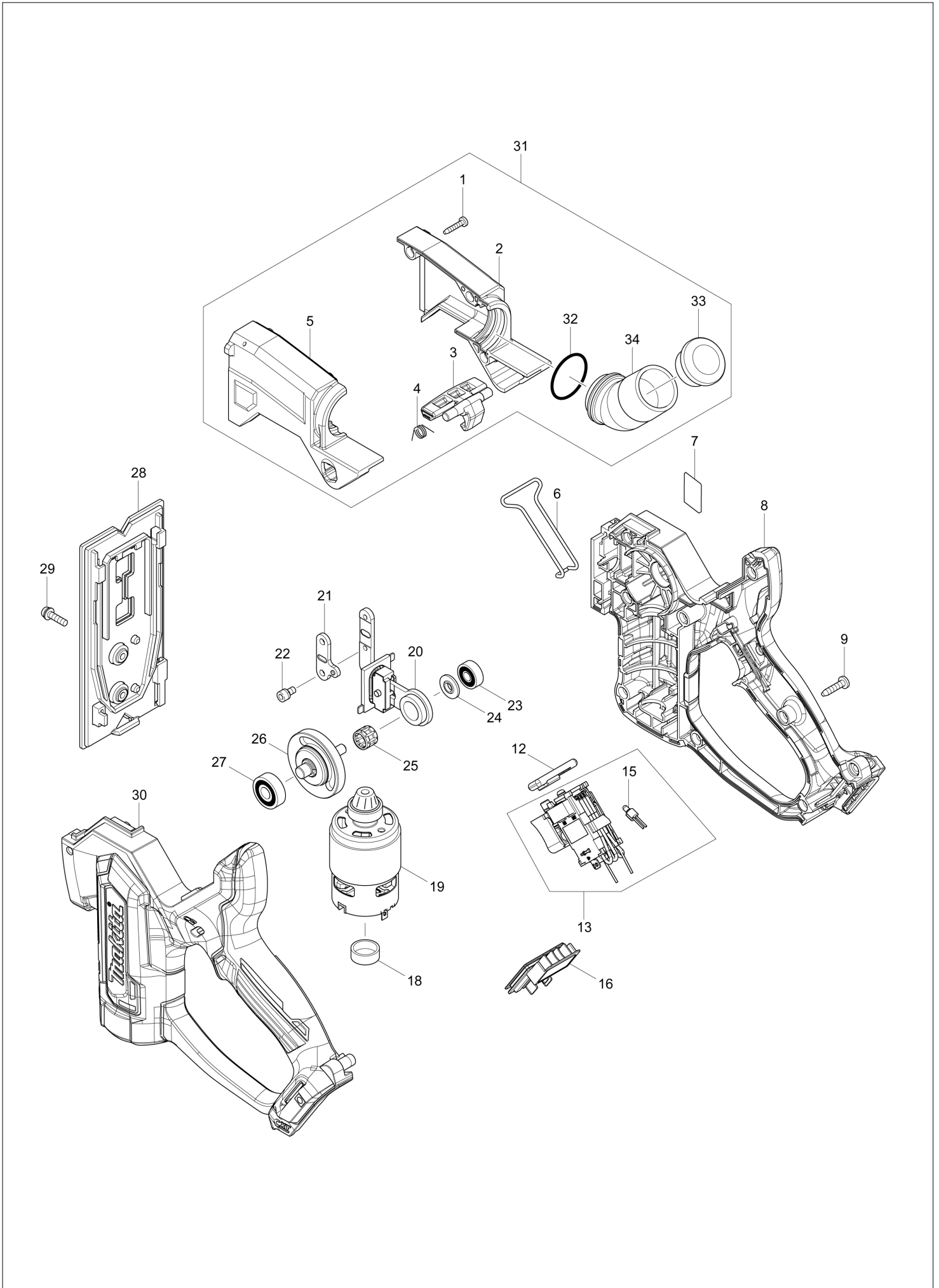
# Diagram / Parts List

**SD100D**

**CORDLESS DRYWALL SAW**



(TH) SD100D / CORDLESS DRYWALL SAW



<b>TH</b>	<b>THAILAND</b>
-----------	-----------------

### SD100D / CORDLESS DRYWALL SAW

Item	Sub	Parts No.	Parts Description	Qty	I/C	E/C No.	Close No.	Remark
001		266130-9	TAPPING SCREW BIND PT 3X16	3				
002		183C66-4	DUST COLLECTOR SET	1				
	D10		INC. 5					
003		456628-6	HOOK	1				
004		231661-7	TORSION SPRING 9	1				
005		183C66-4	DUST COLLECTOR SET	1				
	D10		INC. 2					
006		326680-7	SAFETY WIRE	1				
007A		852T60-6	SD100D NAME PLATE	1			Y07915	
007B		852T59-1	SD100D NAME PLATE	1				
007-1A		852T59-1	SD100D NAME PLATE	1	<	Y07915		
008		183F65-4	HOUSING SET	1				
	C10	263002-9	RUBBER PIN 4	3				
	C20	252126-6	HEX. LOCK NUT M4-7	2				
	C30	252173-7	SQUARE NUT	2				
	D10		INC. 30					
009		266326-2	TAPPING SCREW 4X18	9				
012		457192-0	LOCK OFF BUTTON	1				
013		632H97-5	SWITCH UNIT	1				
	D10		INC. 15					
015		620604-8	LED CIRCUIT	1				
016		644813-5	TERMINAL	1				
018		421940-3	CAP	1				
019		629230-0	DC MOTOR	1				
020		143694-9	SLIDER COMPLETE	1				
	C10	256305-8	PIN 4	1				
	C20	257391-2	RING 4	1				
	C30	310686-5	SLIDER PLATE	1				
	C40	310687-3	SLIDER GUIDE	1				
021		347010-9	BLADE HOLDER	1				
022		922106-3	HEX. SOCKET HEAD BOLT M4X8	2				
023		211012-0	BALL BEARING 606ZZ	1				
024		326679-2	SHOULDER WASHER	1				
025		212077-5	NEEDLE CAGE	1				
026		143690-7	CRANK SHAFT COMPLETE	1				
027		211032-4	BALL BEARING 608ZZ	1			D0926	
027-1		210223-4	BALL BEARING 608ZZ	1	O	D0926		
028		456623-6	BASE	1				
029		911128-8	P.H.SCREW M4X16 WITH WR	2				
030		183F65-4	HOUSING SET	1				
	C10	263002-9	RUBBER PIN 4	3				
	C20	252126-6	HEX. LOCK NUT M4-7	2				
	C30	252173-7	SQUARE NUT	2				
	D10		INC. 8					
031		123559-1	DUST COLLECTOR ASSEMBLY	1				
	D10		INC. 1-5,32-34					
032		213412-0	O RING 29	1				
033		286268-4	CAP 31	1				
034		451177-8	DUST NOZZLE	1				
A01		456624-4	BASE COVER	1				
A02		456632-5	BLADE COVER	1				
A03		783201-2	HEX. WRENCH 3	1				
A04		B-49703	BOARD CUTTER BLADE	1				
A05B		456128-6	BATTERY COVER	1				
A06B		***DC10WD	DC10WD BATTERY CHARGER	1				
	D10		COMPO-PARTS					
A07B		197393-5	BATTERY BL1016 SET	2			C2691	
A07-1B		199291-9	BATTERY BL1016 SET	2	<	C2691	D0163	
A07-2B		199291-9	BATTERY BL1016 SET	2	<	D0163		
A08B		821551-8	CONNECTOR PLASTIC CASE (TYPE3)	1				
	C10	453974-8	LATCH	4				
A09B		839016-6	INNER TRAY	1				
A10B		810T73-3	SD100DWYJ INDICATION LABEL	1				
A11B		810T75-9	SD100DWYJ PLASTIC CASE LABEL	2				

A:SD100DZ(N)  
B:SD100DWYJ(H)

Interchange  
O : Yes  
X : No  
< : the new part can be substituted for the current.  
> : the current part can be substituted for the new.  
S : Interchangeable as a set.