



TH	THAILAND
----	----------

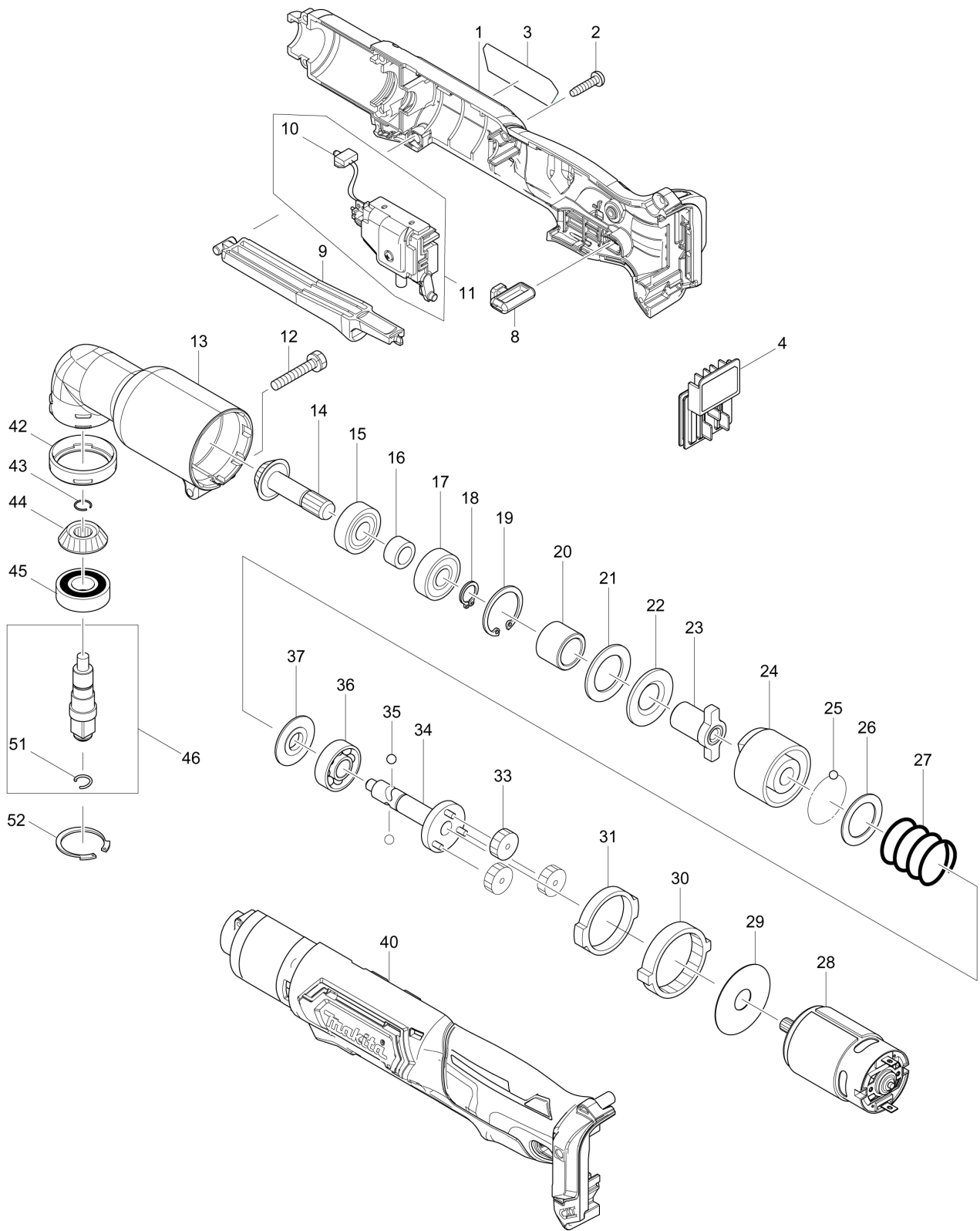
Diagram / Parts List

TL065D

CORDLESS ANGLE IMPACT WRENCH



(TH) TL065D / CORDLESS ANGLE IMPACT WRENCH



TH	THAILAND
----	----------

TL065D / CORDLESS ANGLE IMPACT WRENCH

Item	Sub	Parts No.	Parts Description	Qty	I/C	E/C No.	Close No.	Remark
001		183G43-0	HOUSING SET	1				
	C10	252126-6	HEX. LOCK NUT M4-7	2				
	D10		INC. 40					
002		266130-9	TAPPING SCREW BIND PT 3X16	8				
003		853H04-7	TL065D NAME PLATE	1				
004		644813-5	TERMINAL	1				
008		450126-2	FR CHANGE LEVER	1				
009		450125-4	SWITCH LEVER	1				
010		620690-9	LED CIRCUIT	1				
011		632K58-3	SWITCH UNIT	1				
	D10		INC. 10					
012		265409-5	+ HEX. BOLT M5X30	1				
013		152461-1	ANGLE HEAD COMPLETE	1				
014		226720-0	ZEROL BEVEL GEAR 13	1				
015		210067-2	BALL BEARING 6000ZZ	1				
016		257428-5	SLEEVE 10	1				
017		210067-2	BALL BEARING 6000ZZ	1				
018		961006-2	RETAINING RING S-10	1				
019		962105-3	RETAINING RING R-26	1				
020		257429-3	SLEEVE 15	1				
021		261095-0	RUBBER WASHER 21	1				
022		267120-5	FLAT WASHER 15	1				
023		322689-7	ANVIL	1			C6026	
023-1		327000-8	ANVIL	1	O	C6026		
024		322688-9	HAMMER	1			C6026	
024-1		326999-4	HAMMER	1	O	C6026		
025		216001-0	STEEL BALL 3.5	22				
026		267121-3	FLAT WASHER 20	1				
027		233107-9	COMPRESSION SPRING 22	1				
028		629271-6	DC MOTOR	1				
029		267053-4	FLAT WASHER 12	1				
030		226280-2	INTERNAL GEAR 69	1				
031		257187-1	RING 32	1				
033		226279-7	SPUR GEAR 29	3				
034		154416-2	SPINDLE COMPLETE	1			C6026	
034-1		140K00-5	SPINDLE COMPLETE	1	O	C6026		
035		216002-8	STEEL BALL 4.8	2				
036		211472-6	BALL BEARING 6000	1				
037		322719-4	WASHER 10	1				
040		183G43-0	HOUSING SET	1				
	C10	252126-6	HEX. LOCK NUT M4-7	2				
	D10		INC. 1					
042		424044-0	RUBBER RING 32	1				
043		231990-8	RING SPRING 9	1				
044		226721-8	ZEROL BEVEL GEAR 13	1				
045		211131-2	BALL BEARING 6001DDW	1				
046		135899-5	SPINDLE ASS'Y	1				
	D10		INC. 51					
051		231964-9	RING SPRING 7	1				
052		962116-8	RETAINING RING R-28	1				
A01		266622-8	+ TRUSS HEAD SCREW M4X12	1				
A02		346909-5	HOOK	1				
A03B		456128-6	BATTERY COVER	1				
A03C		456128-6	BATTERY COVER	1				
A04B		***DC10WD	DC10WD BATTERY CHARGER	1				
A04C		***DC10WD	DC10WD BATTERY CHARGER	1				
A05B		197393-5	BATTERY BL1016 SET	2			C2691	
A05C		197406-2	BATTERY BL1041B SET	2			C2801	
A05-1B		199291-9	BATTERY BL1016 SET	2	<	C2691	D0163	
A05-1C		199289-6	BATTERY BL1041B SET	2	<	C2801	D0165	
A05-2B		199291-9	BATTERY BL1016 SET	2	<	D0163		
A05-2C		199289-6	BATTERY BL1041B SET	2	<	D0165		
A06B		821709-9	PLASTIC CARRYING CASE	1				
	C10	162315-4	LATCH	2				
	C20	452137-3	HANDLE	1				

A:TL065DZ(N)
 B:TL065DWYE(H)
 C:TL065DWMW(H)

Interchange
 O : Yes
 X : No
 < : the new part can be substituted for the current.
 > : the current part can be substituted for the new.
 S : Interchangeable as a set.

