



TH	THAILAND
----	----------

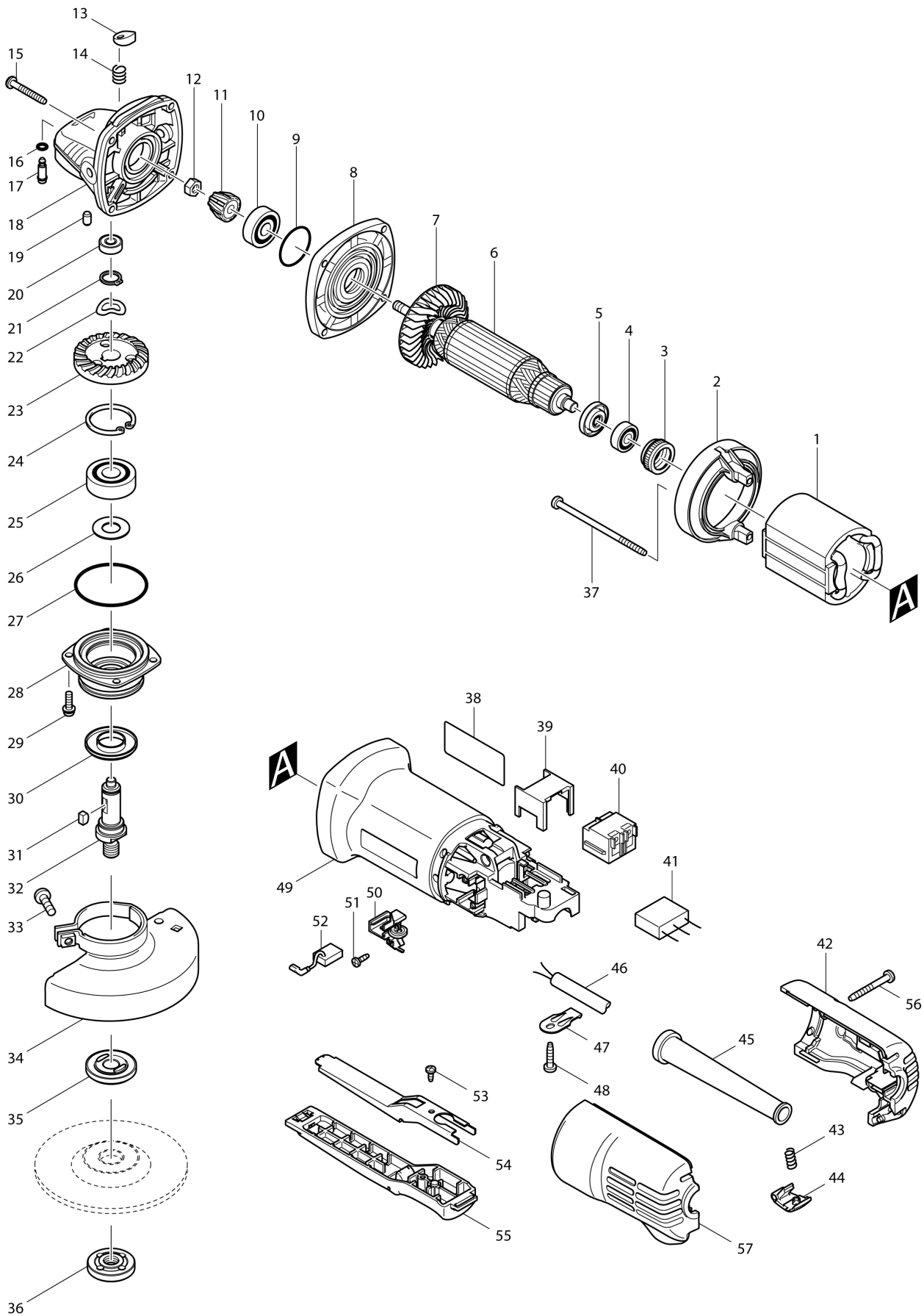
Diagram / Parts List

9556HP

100MM ANGLE GRINDER



(TH) 9556HP / 100MM ANGLE GRINDER



TH	THAILAND
----	----------

9556HP / 100MM ANGLE GRINDER

Item	Sub	Parts No.	Parts Description	Qty	I/C	E/C No.	Close No.	Remark
001		621708-9	FIELD 220-240V	1				
002		418770-1	BAFFLE PLATE	1			B9212	
002-1		457791-8	BAFFLE PLATE	1	<	B9212		
003		421868-5	LABYRINTH RUBBER RING 19	1			DD769	
003-1		422768-2	LABYRINTH RUBBER RING19	1	<	DD769		
004A		210034-7	BALL BEARING 607LLB	1			88786	
004B		210034-7	BALL BEARING 607LLB	1			88786	
004-1A		211021-9	BALL BEARING 607LLB	1	O	88786		
004-1B		211021-9	BALL BEARING 607LLB	1	O	88786		
004-1C		211021-9	BALL BEARING 607LLB	1				
005		681636-0	INSULATION WASHER	1				
006A		515613-9	ARMATURE ASS'Y 220-240V	1			88786	
	D10		INC. 4,5,7				88786	
006B		515613-9	ARMATURE ASS'Y 220-240V	1			88786	
	D10		INC. 4,5,7				88786	
006-1A		510084-5	ARMATURE ASS'Y 220-240V	1	O	88786		
	D10		INC. 4,5,7			88786		
006-1B		510084-5	ARMATURE ASS'Y 220-240V	1	O	88786		
	D10		INC. 4,5,7			88786		
006-1C		510084-5	ARMATURE ASS'Y 220-240V	1				
	D10		INC. 4,5,7					
007		240076-7	FAN 56	1				
008		317821-6	GEAR HOUSING COVER	1				
009		213445-5	O-RING 26	1				
010		210042-8	BALL BEARING 629LLB	1				
011		227541-3	SPIRAL BEVEL GEAR 10	1				
012		252186-8	HEX. NUT M6	1				
013		417771-6	PIN CAP	1				
014		233376-2	COMPRESSION SPRING 8	1				
015A		266361-0	TAPPING SCREW 4X30	4			Z36842	
015B		266361-0	TAPPING SCREW 4X30	4				
015C		266361-0	TAPPING SCREW 4X30	4			Z36842	
015-1A		265654-2	TAPPING SCREW 4X30	4	O	Z36842		
015-1C		265654-2	TAPPING SCREW 4X30	4	O	Z36842		
016		213960-9	O RING 5	1				
017A		256486-8	SHOULDER PIN 4	1				
017B		256486-8	SHOULDER PIN 4	1				
017C		256546-6	SHOULDER PIN 4	1				
018A		317814-3	GEAR HOUSING	1			C7917	
018B		317814-3	GEAR HOUSING	1			C6893	
018C		318941-9	GEAR HOUSING	1				
018-1A		318051-2	GEAR HOUSING	1	O	C7917		
018-1B		318051-2	GEAR HOUSING	1	O	C6893		
019		263002-9	RUBBER PIN 4	1				
020A		210033-9	BALL BEARING 696ZZ	1			88786	
020B		210033-9	BALL BEARING 696ZZ	1			88786	
020-1A		210006-2	BALL BEARING 696ZZ	1	O	88786		
020-1B		210006-2	BALL BEARING 696ZZ	1	O	88786		
020-1C		210006-2	BALL BEARING 696ZZ	1				
021		961052-5	RETAINING RING (EXT) S-12	1				
022		267794-2	WAVE WASHER 12	1				
023		227542-1	SPIRAL BEVEL GEAR 37	1				
024		962151-6	RETAINING RING R-32	1				
025		211129-9	BALL BEARING 6201DDW	1				
026		267238-2	FLAT WASHER 12	1				
027		213622-9	O RING 45	1				
028		317819-3	BEARING BOX	1				
029		265099-4	PAN HEAD SCREW M4X14	4				
030		345464-4	LABYRINTH RING	1				
031		254011-9	WOODRUFF KEY 4	1				
032		324488-3	SPINDLE	1				
033		265103-9	PAN HEAD SCREW M5X14	1				
034		125266-2	WHEEL COVER 100 ASSEMBLY	1			B6931	
	D10		INC. 33				B6931	
034-1		125266-2	WHEEL COVER 100 ASSEMBLY	1	O	B6931		

A:9556HP(H)
B:9556HPY(H)
C:9556HPG(H)

Interchange
O : Yes
X : No
< : the new part can be substituted for the current.
> : the current part can be substituted for the new.
S : Interchangeable as a set.

TH	THAILAND
-----------	-----------------

9556HP / 100MM ANGLE GRINDER

Item	Sub	Parts No.	Parts Description	Qty	I/C	E/C No.	Close No.	Remark
	D10		INC. 33			B6931		
035		224314-5	INNER FLANGE 30	1				
036		224559-5	LOCK NUT 10-30	1				
037A		266345-8	TAPPING SCREW 4X80	2			C8288	
037B		266345-8	TAPPING SCREW 4X80	2				
037C		266345-8	TAPPING SCREW 4X80	2			C8288	
037-1A		265A28-3	TAPPING SCREW 4X80	2	O	C8288		
037-1C		265A28-3	TAPPING SCREW 4X80	2	O	C8288		
038		865896-4	9556HP NAME PLATE	1			DJ863	
038-1		8588U2-3	9556HP NAME PLATE	1	<	DJ863		
039		418729-8	SPACER	1				
040A		650560-8	SWITCH DPX-2110-R	1			93182	
040B		650560-8	SWITCH DPX-2110-R	1			93182	
040-1A		651947-7	SWITCH 1247.0302	1	O	93182	Z36842	
040-1B		651947-7	SWITCH 1247.0302	1	O	93182		
040-1C		651947-7	SWITCH 1247.0302	1			Z36842	
040-2A		650621-4	SWITCH PS10	1	O	Z36842		
040-2C		650621-4	SWITCH PS10	1	O	Z36842		
042		183943-2	REAR COVER SET	1			DA855	
	D10		INC. 57				DA855	
042-1		183U00-2	REAR COVER SET	1	<	DA855		
	D10		INC. 57			DA855		
043A		231252-4	COMPRESSION SPRING 6	1				
043C		231252-4	COMPRESSION SPRING 6	1				
044A		418842-2	LOCK ON BUTTON	1				
044B		419057-4	CAP	1				
044C		418842-2	LOCK ON BUTTON	1				
045A		682566-8	CORD GUARD 10	1				
045B		682566-8	CORD GUARD 10	1				
045C		682566-8	CORD GUARD 10	1			DE694	
045-1C		682559-5	CORD GUARD 8	1	S	DE694		
046A		691015-4	POWER SUPPLY CORD 0.75-2-2.5	1				
046B		691015-4	POWER SUPPLY CORD 0.75-2-2.5	1				
046C		691015-4	POWER SUPPLY CORD 0.75-2-2.5	1			DE694	
046-1C		660503-2	POWER SUPPLY CORD 0.75-2-2.5	1	S	DE694		
047		687169-3	STRAIN RELIEF	1				
048A		266326-2	TAPPING SCREW 4X18	1			Z36842	
048B		266326-2	TAPPING SCREW 4X18	1				
048C		266326-2	TAPPING SCREW 4X18	1			Z36842	
048-1A		265652-6	TAPPING SCREW 4X18	1	O	Z36842		
048-1C		265652-6	TAPPING SCREW 4X18	1	O	Z36842		
049		418838-3	MOTOR HOUSING	1				
050		643760-7	BRUSH HOLDER	2				
051		266007-8	TAPPING SCREW BIND PT 3X10	4				
052A		194486-9	CARBON BRUSH CB-325/CB-329	1			85070	
052B		194486-9	CARBON BRUSH CB-325/CB-329	1			85070	
052-1A		195002-0	CARBON BRUSH SET CB-325/329	1	<	85070		
052-1B		195002-0	CARBON BRUSH SET CB-325/329	1	<	85070		
052-1C		195002-0	CARBON BRUSH SET CB-325/329	1				
053A		265954-0	TAPPING SCREW BIND PT3X8	1			86224	
053B		265954-0	TAPPING SCREW BIND PT3X8	1			86224	
053-1A		266492-5	TAPPING SCREW 3X8	1	O	86224	Z36842	
053-1B		266492-5	TAPPING SCREW 3X8	1	O	86224		
053-1C		266492-5	TAPPING SCREW 3X8	1			Z36842	
053-2A		265954-0	TAPPING SCREW BIND PT3X8	1	O	Z36842	C2918	
053-2C		265954-0	TAPPING SCREW BIND PT3X8	1	O	Z36842	C2918	
053-3A		265683-5	TAPPING SCREW BIND PT 3X8	1	O	C2918		
053-3C		265683-5	TAPPING SCREW BIND PT 3X8	1	O	C2918		
054		345504-8	PLATE	1				
055		154584-1	SWITCH LEVER B COMPLETE	1				
056A		266351-3	TAPPING SCREW 4X35	2			C7420	
056B		266351-3	TAPPING SCREW 4X35	2				
056C		266351-3	TAPPING SCREW 4X35	2			C7420	
056-1A		265A27-5	TAPPING SCREW 4X35	2	O	C7420		
056-1C		265A27-5	TAPPING SCREW 4X35	2	O	C7420		

A:9556HP(H)
 B:9556HPY(H)
 C:9556HPG(H)

Interchange
 O : Yes
 X : No
 < : the new part can be substituted for the current.
 > : the current part can be substituted for the new.
 S : Interchangeable as a set.

