



TH	THAILAND
----	----------

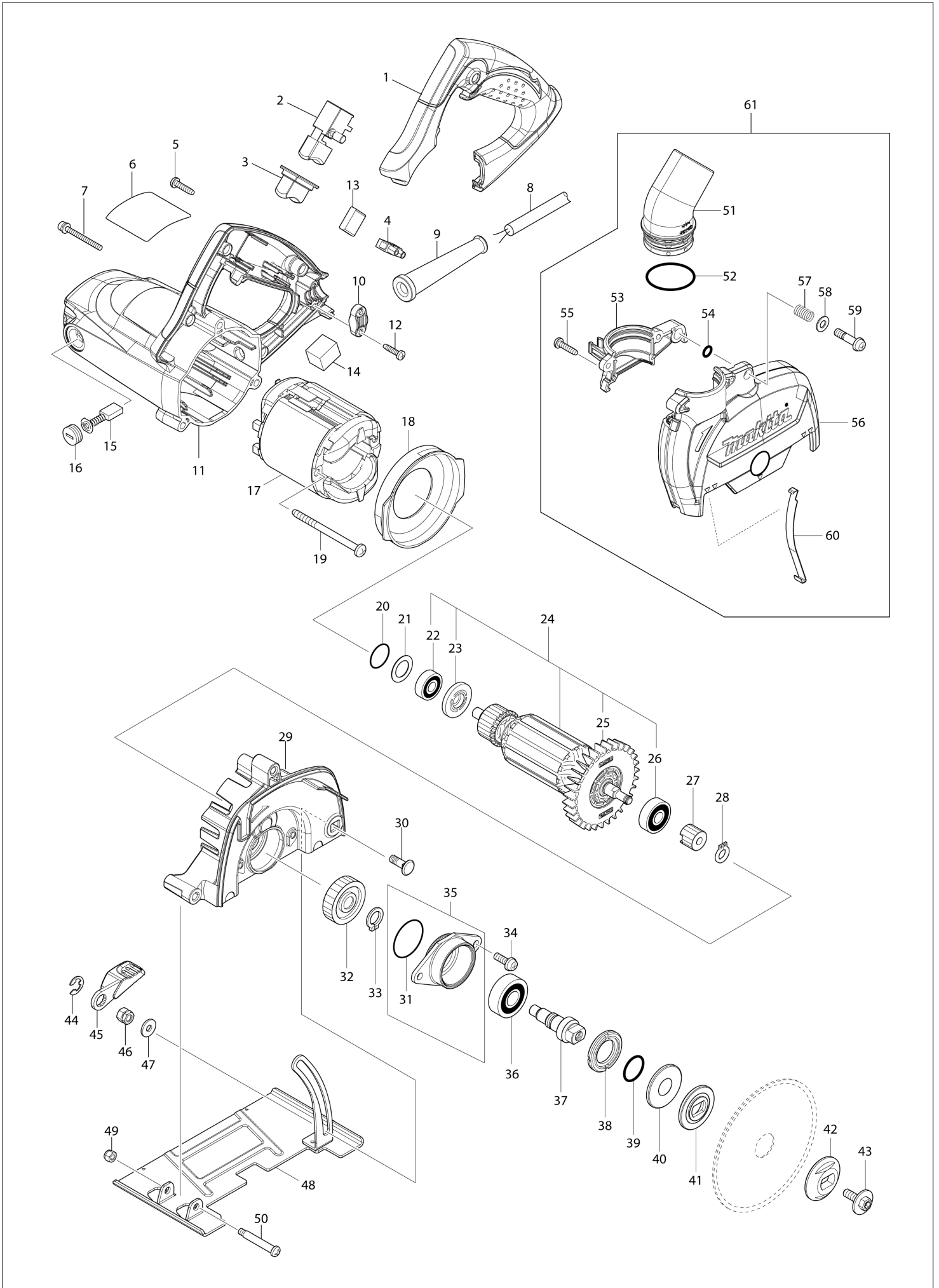
Diagram / Parts List

4100KB

125MM DUSTLESS CUTTER



(TH) 4100KB / 125MM DUSTLESS CUTTER



TH	THAILAND
----	----------

4100KB / 125MM DUSTLESS CUTTER

Item	Sub	Parts No.	Parts Description	Qty	I/C	E/C No.	Close No.	Remark
001		450838-7	HANDLE COVER	1				
002		651281-5	SWITCH SGEL115CDY-5	1				
003		421812-2	DUST COVER	1				
005		265995-6	TAPPING SCREW 4X18	4				
006		853U04-5	4100KB NAME PLATE	1				
007		911263-2	PAN HEAD SCREW M5X40	3				
008		691015-4	POWER SUPPLY CORD 0.75-2-2.5	1				
009		682574-9	CORD GUARD 10-90	1				
010		687140-7	STRAIN RELIEF	1				
011		141726-6	MOTOR HOUSING COMPLETE	1				
	C10	643708-9	BRUSH HOLDER 5-11	2				
012		265995-6	TAPPING SCREW 4X18	2				
015		B-80379	CARBON BRUSH SET CB-303A	1				
016		643750-0	BRUSH HOLDER CAP 7-11	2				
017		599095-3	FIELD ASSY 220V	1				
	C10	654020-2	RING TERMINAL	2				
	C20	654501-6	CONNECTOR P-1.25	2			DE676	
	C21	654485-8	PARALLEL SPLICE	2	O	DE676		
018		450839-5	BUFFLE PLATE	1				
019		266038-7	TAPPING SCREW 5X70	2				
020		213262-3	O RING 18	1				
021		253192-6	FLAT WASHER 14	1				
022		211395-8	BALL BEARING 608LLU	1				
023		681644-1	INSULATION WASHER	1				
024		510221-1	ARMATURE ASS'Y 220V	1				
	D10		INC. 22,23,25,26					
025		240109-8	FAN 70	1				
026		211092-6	BALL BEARING 629DDW	1				
027		226695-3	HELICAL GEAR 17	1				
028		961002-0	RETAINING RING S-6	1				
029		144781-7	GEAR HOUSING COMPLETE	1				
	C10	213445-5	O-RING 26	1				
030		251586-9	FLAT HEAD SQUARE NECK BOLT M6X	1				
031		213444-7	O RING 30	1				
032		226696-1	HELICAL GEAR 44	1				
033		961052-5	RETAINING RING (EXT) S-12	1				
034		911223-4	PAN HEAD SCREW M5X16	2				
035		135948-8	BEARING BOX ASSEMBLY	1				
	D10		INC. 31					
036		211129-9	BALL BEARING 6201DDW	1				
037		325603-2	SPINDLE	1				
038		285858-0	BEARING RETAINER 19-33	1				
039		213279-6	O RING 18	1				
040		253397-8	CUP WASHER 15	1				
041		224423-0	INNER FLANGE 36	1				
042		224424-8	OUTER FLANGE 36	1				
043		266510-9	HEX. SOCKET HEX. BOLT M6X18	1				
044		257982-9	BOW STOP RING E-8	1				
045		271443-5	LEVER 49	1				
046		264103-6	HEX. NUT M6	1				
047		253111-2	FLAT WASHER 6	1				
048		161775-7	BASE	1				
049		252103-8	HEX. LOCK NUT M5-8	1				
050		266515-9	+ PAN HEAD SCREW M5	1				
051		416741-2	ELBOW	1				
052		213460-9	O RING 35	1				
053		458035-9	DUST COVER R	1				
054		213005-3	O RING 5	1				
055		265995-6	TAPPING SCREW 4X18	2				
056		458605-4	DUST COVER L	1				
057		233267-7	COMPRESSION SPRING 7	1				
058		941151-9	FLAT WASHER 6	1				
059		265658-4	PAN HEAD SCREW M6X26	1				
060		347305-0	PLATE	1				
061		126911-2	DUST COVER ASSEMBLY	1				

A:4100KB(H)

Interchange
O : Yes
X : No
< : the new part can be substituted for the current.
> : the current part can be substituted for the new.
S : Interchangeable as a set.

