



TH	THAILAND
----	----------

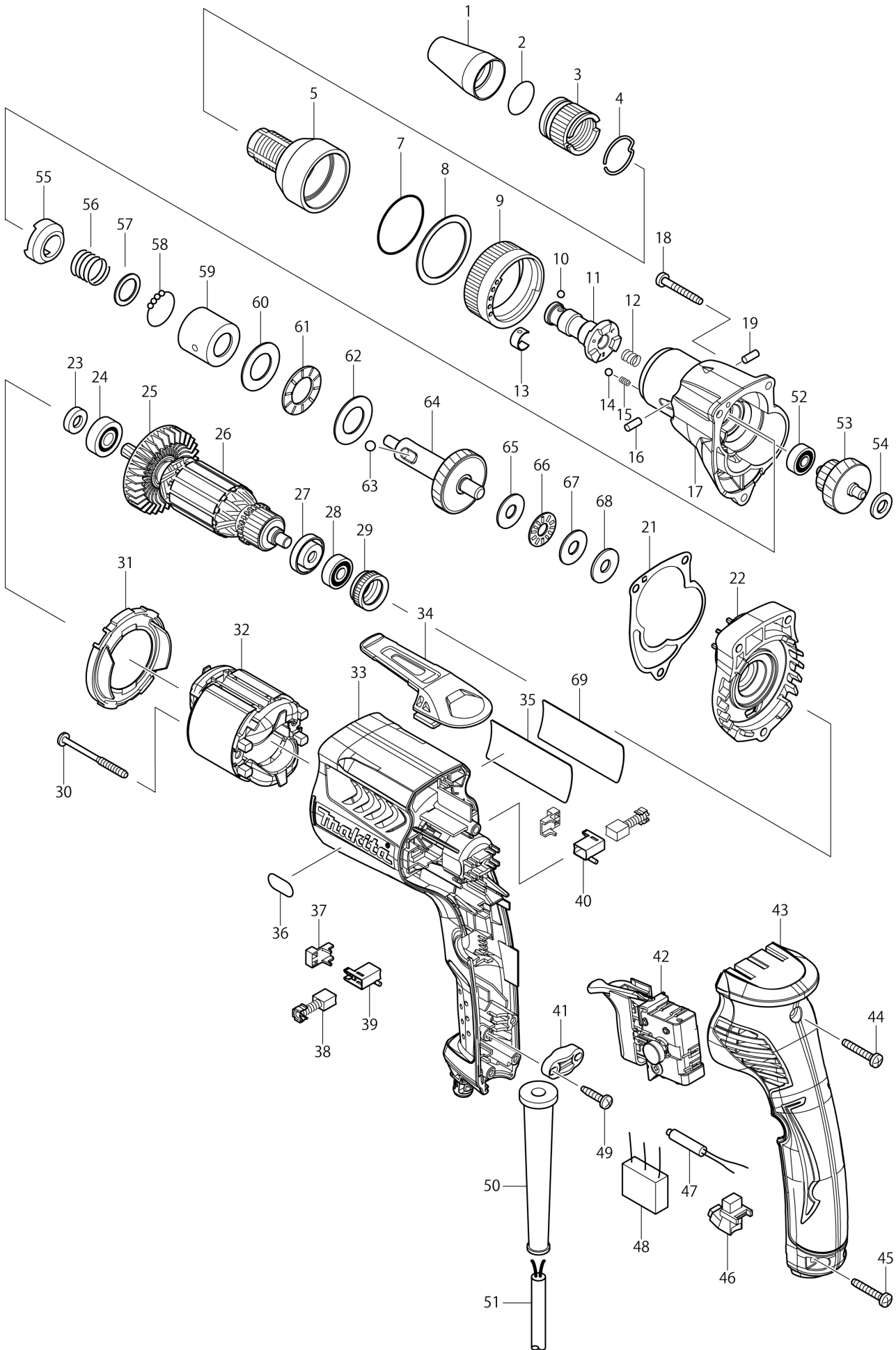
Diagram / Parts List

FS2700

SCREW DRIVER



(TH) FS2700 / SCREW DRIVER



TH	THAILAND
----	----------

FS2700 / SCREW DRIVER

Item	Sub	Parts No.	Parts Description	Qty	I/C	E/C No.	Close No.	Remark
001		322070-2	FRONT CAP 12	1				
002		213310-8	O RING 20	1				
003		322073-6	ADJUST SLEEVE	1				
004		231940-3	RING SPRING 22	1				
005		168552-8	CLUTCH COVER A COMPLETE	1				
	C10	313166-0	BRAKE RING	1				
007		213343-3	O RING 35	1				
008		253806-7	FLAT WASHER 36	1				
009		152841-1	RING 36 COMPLETE	1				
010		216001-0	STEEL BALL 3.5	1				
011		325607-4	SPINDLE 270J	1				
012		234095-3	COMPRESSION SPRING 6	1				
013		232050-9	LEAF SPRING	1				
014		216008-6	STEEL BALL 4	1				
015		233314-4	COMPRESSION SPRING 4	1				
016		268075-7	PIN 4	1				
017		318387-9	GEAR HOUSING TC	1				
018		266361-0	TAPPING SCREW 4X30	3				
019		268075-7	PIN 4	1				
021		442149-4	GASKET	1				
022		158982-1	GEAR HOUSING COVER COMPLETE	1				
023		451099-2	RING 7	1				
024		210007-0	BALL BEARING 608VV	1				
025		240083-0	FAN 52	1				
026		515763-0	ARMATURE ASSEMBLY 220V	1				
	D10		INC. 23-25,27,28					
027		681636-0	INSULATION WASHER	1				
028		210062-2	BALL BEARING 607ZZ	1				
029		421868-5	LABYRINTH RUBBER RING 19	1				
030		266467-4	TAPPING SCREW 4X50	2				
031		450880-8	BAFFLE PLATE	1				
032		633693-4	FIELD 220-240V	1				
033		450877-7	MOTOR HOUSING S	1				
034		162272-6	HOOK	1				
035		867048-3	FS2700 NAME PLATE	1				
036		808574-3	INDICATION LABEL	1				
037		689111-0	SPACER	2				
038		B-80422	CARBON BRUSH SET CB-419A	1				
039		643952-8	BRUSH HOLDER	1				
040		643953-6	BRUSH HOLDER	1				
041		687140-7	STRAIN RELIEF	1				
042		650614-1	SWITCH	1				
043		158877-8	HANDLE COVER S COMPLETE	1				
	C10	263002-9	RUBBER PIN 4	2				
044		266374-1	TAPPING SCREW 4X25	1				
045		266374-1	TAPPING SCREW 4X25	2				
046		631881-7	LIGHT CIRCUIT	1			86703	
046-1		631939-2	LIGHT CIRCUIT	1	<	86703		
049		265995-6	TAPPING SCREW 4X18	2				
050		682566-8	CORD GUARD 10	1				
051		691015-4	POWER SUPPLY CORD 0.75-2-2.5	1				
052		211012-0	BALL BEARING 606ZZ	1				
053		226157-1	GEAR COMPLETE 17-39	1				
054		267017-8	FLAT WASHER 8	1				
055		223073-8	CLUTCH CAM	1				
056		231423-3	COMPRESSION SPRING 13.6	1				
057		253837-6	FLAT WASHER 14	1				
058		216014-1	STEEL BALL 3.2	16				
059		324209-3	SLEEVE	1				
060		216216-9	WASHER 1730	1				
061		216423-4	THRUST NEEDLE CAGE 1730	1				
062		216216-9	WASHER 1730	1				
063		216011-7	STEEL BALL 5.6	3				
064		158892-2	SPUR GEAR 35 COMPLETE	1				
065		216212-7	WASHER 821	1				

Interchange
O : Yes
X : No
< : the new part can be substituted for the current.
> : the current part can be substituted for the new.
S : Interchangeable as a set.

