



TH	THAILAND
----	----------

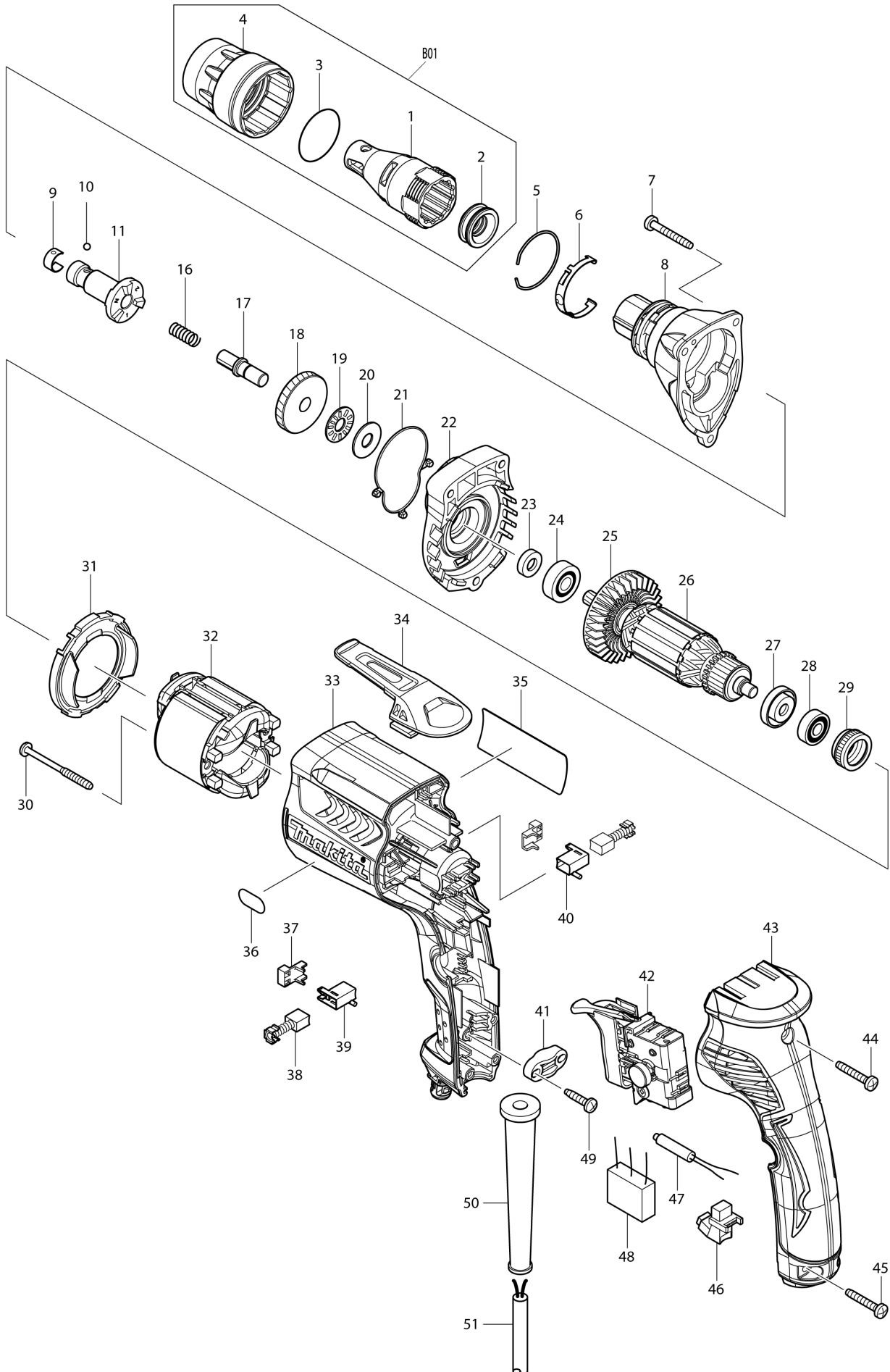
Diagram / Parts List

FS4200

DRYWALL SCREWDRIVER



(TH) FS4200 / DRYWALL SCREWDRIVER



TH	THAILAND
----	----------

FS4200 / DRYWALL SCREWDRIVER

Item	Sub	Parts No.	Parts Description	Qty	I/C	E/C No.	Close No.	Remark
001		158876-0	LOCATOR L COMPLETE	1				
002		424163-2	DUST SEAL SLEEVE	1				
003		424235-3	SEAL RING 30	1				
004		450881-6	LOCK RING	1			A5177	
004-1		455591-0	LOCK RING	1	O	A5177		
005		233974-2	RING SPRING 33	1			98036	
005-1		234293-9	RING SPRING 32	1	S	98036		
006		232245-4	LEAF SPRING	1				
007		266361-0	TAPPING SCREW 4X30	3				
008		158880-9	GEAR HOUSING HNB COMPLETE	1			98036	
008-1		142154-8	GEAR HOUSING HNB COMPLETE	1	S	98036		
009		232050-9	LEAF SPRING	1				
010		216001-0	STEEL BALL 3.5	1				
011		324983-3	SPINDLE 125N	1				
016		233126-5	COMPRESSION SPRING 6	1				
017		268229-6	COLLARED PIN 8	1				
018		226687-2	HELICAL GEAR 41N	1			96622	
018-1		227769-3	HELICAL GEAR 41N	1	<	96622		
019		216415-3	THRUST NEEDLE CAGE 821	1			Y07519	
019-1		216415-3	THRUST NEEDLE CAGE 821	1	O	Y07519		
020		216212-7	WASHER 821	1				
021		424162-4	SEAL RING	1				
022		158874-4	GEAR HOUSING COVER COMPLETE	1				
023		451099-2	RING 7	1				
024		210007-0	BALL BEARING 608VV	1				
025		240083-0	FAN 52	1				
026		515758-3	ARMATURE ASSEMBLY 220V	1				
	D10		INC. 23-25,27,28					
027		681636-0	INSULATION WASHER	1				
028		210062-2	BALL BEARING 607ZZ	1				
029		421868-5	LABYRINTH RUBBER RING 19	1				
030		266467-4	TAPPING SCREW 4X50	2				
031		450880-8	BAFFLE PLATE	1				
032		633693-4	FIELD 220-240V	1				
033		450877-7	MOTOR HOUSING S	1				
034		162272-6	HOOK	1				
035		866588-8	FS4200 NAME PLATE	1				
036		808575-1	4000RPM INDICATION LABEL	1				
037		689111-0	SPACER	2				
038		B-80422	CARBON BRUSH SET CB-419A	1				
039		643948-9	BRUSH HOLDER	1				
040		643951-0	BRUSH HOLDER	1				
041		687140-7	STRAIN RELIEF	1				
042		650614-1	SWITCH	1				
043		158877-8	HANDLE COVER S COMPLETE	1				
	C10							
		263002-9	RUBBER PIN 4	2				
044		266374-1	TAPPING SCREW 4X25	1				
045		266374-1	TAPPING SCREW 4X25	2				
046		631881-7	LIGHT CIRCUIT	1			86703	
046-1		631939-2	LIGHT CIRCUIT	1	<	86703		
049		265995-6	TAPPING SCREW 4X18	2				
050		682566-8	CORD GUARD 10	1				
051		691015-4	POWER SUPPLY CORD 0.75-2-2.5	1				
052		819349-5	CLEAR LABEL	1			87804	
052-1		892811-5	CLEAR LABEL	1		90203		
053		423413-2	RUBBER PLATE	1		86789		
054		213696-0	O-RING 26	1	S	98036		
A01		784261-7	+BIT 2-25	2				
A02		784801-1	MAGNETIC BIT HOLDER 6.35-76	1				
B01		197024-6	LOCATOR L SET	1		Y07992		
	D10		INC. 1-4			Y07992		
F12		199156-5	SQUARE BIT 2-130 SET	1		C1847		
F14-2		191L23-2	AUTOFEED ATTACHMENT SET	1	<	D3538		
F16-2		191L24-0	AUTOFEED ATTACHMENT SET	1	<	D3538		

A:FS4200(H)

Interchange
O : Yes
X : No
< : the new part can be substituted for the current.
> : the current part can be substituted for the new.
S : Interchangeable as a set.