



TH	THAILAND
----	----------

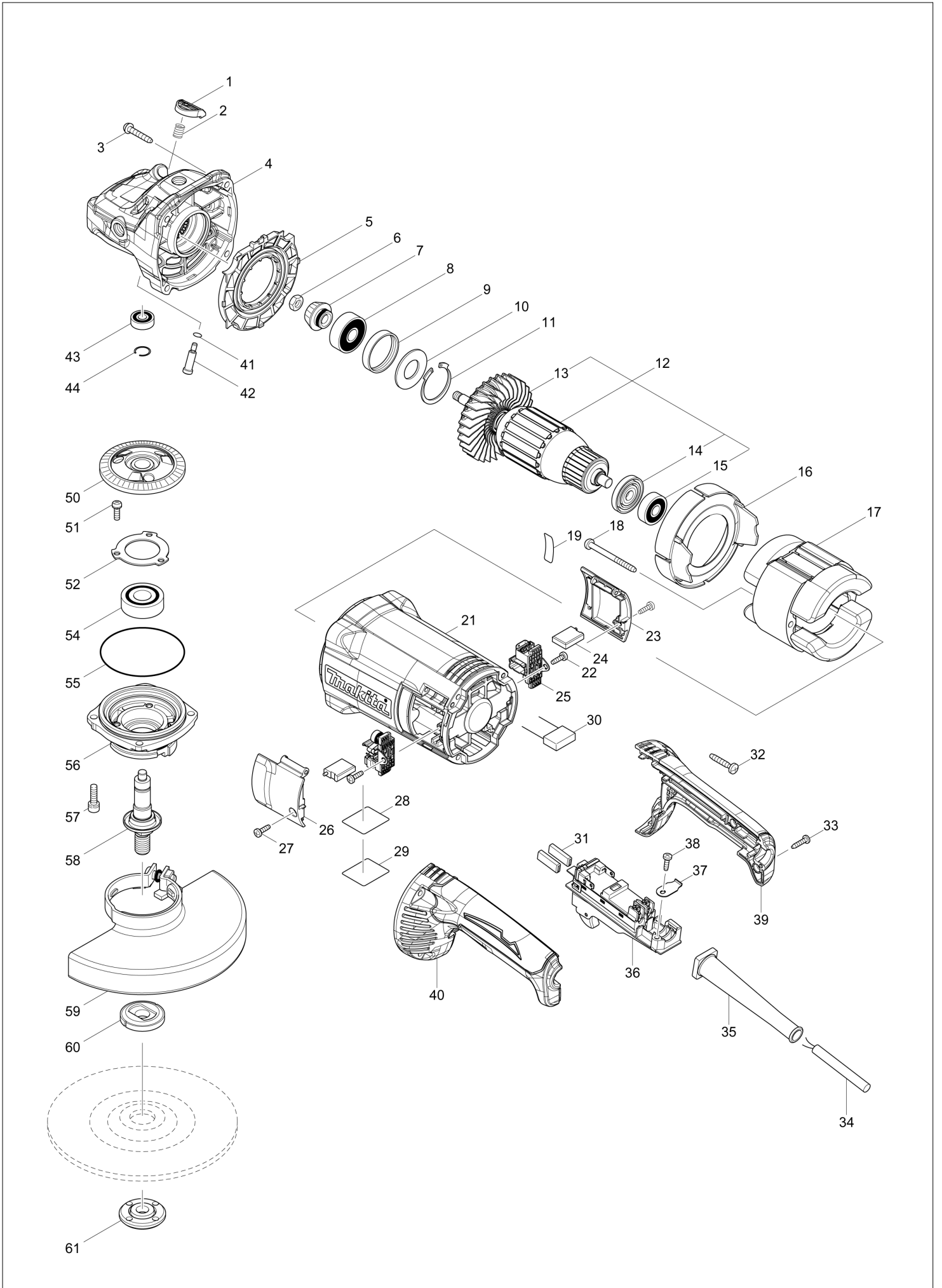
Diagram / Parts List

GA7060

180MM ANGLE GRINDER



(TH) GA7060 / 180MM ANGLE GRINDER



TH	THAILAND
----	----------

GA7060 / 180MM ANGLE GRINDER

Item	Sub	Parts No.	Parts Description	Qty	I/C	E/C No.	Close No.	Remark
001		456247-8	PIN CAP	1				
002		234391-9	COMPRESSION SPRING 8	1				
003		251489-7	TAPPING SCREW 5X30	4				
004		143485-8	GEAR HOUSING COMPLETE	1				
	C10	263002-9	RUBBER PIN 4	1				
005		456238-9	DIFFUSER	1				
006		252194-9	HEX. NUT M8	1				
007		227655-8	SPIRAL BEVEL GEAR 17	1				
008		211132-0	BALL BEARING 6301DDW	1				
009		262085-6	RUBBER RING 38	1				
010		267299-2	FLAT WASHER 20	1				
011		962211-4	RETAINING RING R-42	1				
012		513448-2	ARMATURE ASS'Y 220V	1				
	D10		INC. 13-15					
013		240161-6	FAN 86	1				
014		681630-2	INSULATION WASHER	1				
015		211087-9	BALL BEARING 6200DDW	1				
016		456239-7	BAFFLE PLATE	1				
017		621778-8	FIELD 220V	1				
018		266044-2	TAPPING SCREW 5X60	2				
019		851U59-4	GA7060 SERIAL NO. LABEL	1				
021		456240-2	MOTOR HOUSING	1				
022		266385-6	TAPPING SCREW 4X14	2				
023		143950-7	BRUSH HOLDER COVER R COMPLETE	1			B7463	
023-1		456246-0	BRUSH HOLDER COVER R	1	>	B7463		
024		197128-4	CARBON BRUSH CB-218	1				
025		643714-4	BRUSH HOLDER	2			B7463	
025-1		643715-2	BRUSH HOLDER	2	<	B7463		
026		143949-2	BRUSH HOLDER COVER L COMPLETE	1			B7463	
026-1		456245-2	BRUSH HOLDER COVER L	1	>	B7463		
027		266385-6	TAPPING SCREW 4X14	2				
028		851U55-2	GA7060 NAME PLATE	1				
029		808D02-2	CLEAR LABEL	1			DN056	
031		686036-9	RECEPTACLE SLEEVE	2				
032		251489-7	TAPPING SCREW 5X30	4				
033		266326-2	TAPPING SCREW 4X18	2				
034		691216-4	POWER SUPPLY CORD 1.25-2-2.5	1				
035		682573-1	CORD GUARD 10	1				
036		632F74-5	SWITCH UNIT	1				
037		687678-2	STRAIN RELIEF	1				
038		266385-6	TAPPING SCREW 4X14	1				
039		183C63-0	HANDLE SET	1				
	D10		INC. 40					
040		183C63-0	HANDLE SET	1				
	D10		INC. 39					
041		213026-5	O RING 7	1				
042		256571-7	SHOULDER PIN 7	1				
043		211032-4	BALL BEARING 608ZZ	1				
044		233925-5	RING SPRING 13	1				
050		227656-6	SPIRAL BEVEL GEAR 55	1				
051		265120-9	PAN HEAD SCREW M5X16	3				
052		285741-1	BEARING RETAINER 50	1				
054		211278-2	BALL BEARING 6203DDW	1				
055		213760-7	O RING 78	1				
056		319351-3	BEARING BOX	1				
057		265541-5	HEX. SOCKET HEAD BOLT M6X22	4				
058		143484-0	SPINDLE COMPLETE	1				
059		122889-7	WHEEL COVER 180K ASSEMBLY	1				
	C10	213017-6	O RING 6	1				
	C20	265198-2	+PAN HEAD SCREW M8X25	1				
060		224415-9	INNER FLANGE 42	1				
061		224485-8	LOCK NUT 14-45	1				
A01		143486-6	GRIP 37 COMPLETE	1				
A02		782407-9	LOCK NUT WRENCH 35	1			D1367	
A02-1		782034-2	LOCK NUT WRENCH 35	1	O	D1367		

A:GA7060(H)

Interchange
 O : Yes
 X : No
 < : the new part can be substituted for the current.
 > : the current part can be substituted for the new.
 S : Interchangeable as a set.

