



TH	THAILAND
----	----------

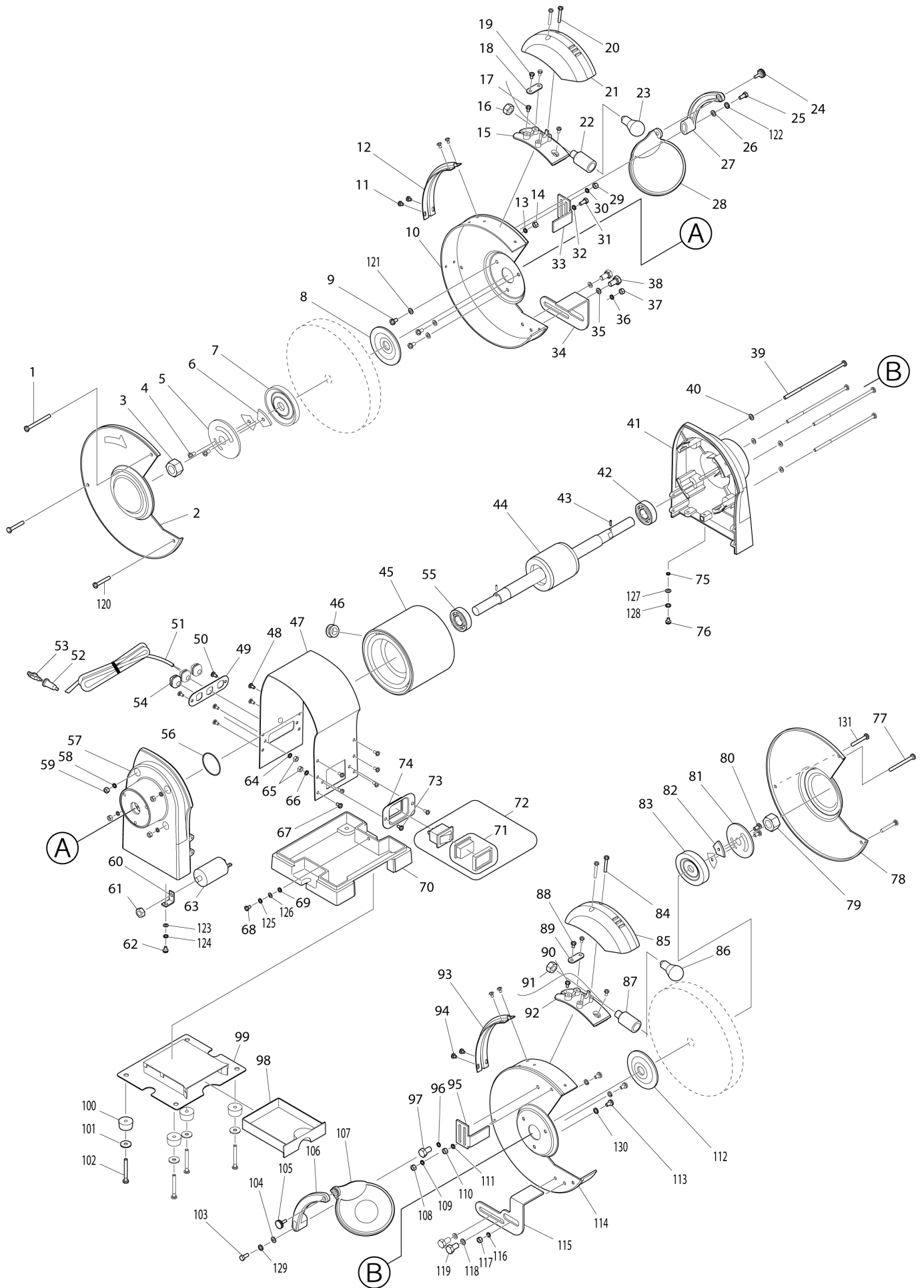
Diagram / Parts List

GB801

BENCH GRINDER 205MM



(TH) GB801 / BENCH GRINDER 205MM



TH	THAILAND
----	----------

GB801 / BENCH GRINDER 205MM

Item	Sub	Parts No.	Parts Description	Qty	I/C	E/C No.	Close No.	Remark
001		911276-3	PAN HEAD SCREW M5X55	2			Y08774	
001-1		AL00000107	PAN HEAD SCREW M5X57	1	X	Y08774		
002		AL00000057	LEFT WHEEL COVER	1			Y08774	
002-1		AL00000057	LEFT WHEEL COVER	1	O	Y08774		
003		AL00000058	HEX NUT M16 LH	1			Y08774	
003-1		AL00000058	HEX NUT M16 LH	1	O	Y08774		
004		AL00000059	PAN HEAD SCREW M5X6	2			Y08774	
004-1		AL00000059	PAN HEAD SCREW M5X6	2	O	Y08774		
005		AL00000060	BALANCE PLATE	1				
006		AL00000061	BALANCE WEIGHT	2				
007		AL00000062	OUTER FLANGE 84	1			Y08774	
007-1		AL00000062	OUTER FLANGE 84	1	O	Y08774		
008		AL00000063	INNER FLANGE 85	1			Y08774	
008-1		AL00000063	INNER FLANGE 85	1	O	Y08774		
009		911211-1	PAN HEAD SCREW M5X12	3			Y08774	
009-1		AL00000111	PAN HEAD SCREW M5X16 WITH W	3	X	Y08774		
010		AL00000064	LEFT WHEEL GUARD (INNER)	1			Y08774	
010-1		AL00000064	LEFT WHEEL GUARD (INNER)	1	O	Y08774		
011		911107-6	PAN HEAD SCREW M4X8	4			Y08774	
011-1		AL00000114	PAN HEAD SCREW M4X6	4	X	Y08774		
012		AL00000065	CORD COVER	1			Y08774	
012-1		AL00000065	CORD COVER	1	O	Y08774		
013		942101-7	SPRING WASHER 5	1			Y08774	
013-1		AL00000132	SPRING WASHER 5	1	O	Y08774		
014		931201-8	HEX. NUT M5	1			Y08774	
014-1		AL00000121	HEX NUT M5	1	O	Y08774		
015		AL00000194	LAMP COVER BASE	1				
016		AL00000009	PLASTIC HEX NUT M10	1			Y08774	
016-1		AL00000009	PLASTIC HEX NUT M10	1	O	Y08774		
017		911113-1	PAN HEAD SCREW M4X10 WITH WR	2			Y08774	
017-1		AL00000103	PAN HEAD SCREW M4X8	2	X	Y08774		
018		AL00000010	CORD CLAMP BASE	1			Y08774	
018-1		AL00000010	CORD CLAMP BASE	1	O	Y08774		
019		911118-1	PAN HEAD SCREW M4X12	2			Y08774	
019-1		AL00000104	PAN HEAD SCREW M4X10	2	X	Y08774		
020		911156-3	PAN HEAD SCREW M4X30	2			Y08774	
020-1		AL00000105	PAN HEAD SCREW M4X30	2	O	Y08774		
021		AL00000011	LAMP COVER ASSY	1			Y08774	
021-1		AL00000011	LAMP COVER ASSY	1	O	Y08774		
022		AL00000012	LAMP SOCKET S-25	1			Y07492	
022-1		AL00000138	LAMP SOCKET S-25	1	X	Y07492	Y08774	
022-2		AL00000138	LAMP SOCKET S-25	1	O	Y08774		
023		AL00000013	BULB S-25 12V 10W	1			Y08774	
023-1		AL00000013	BULB S-25 12V 10W	1	O	Y08774		
024		AL00000014	KNOB BOLT M4X12	1			Y08774	
024-1		AL00000014	KNOB BOLT M4X12	1	O	Y08774		
025		921351-7	HEX. BOLT M6X30	1			Y08774	
025-1		AL00000119	HEX BOLT M6X30	1	O	Y08774		
026		941151-9	FLAT WASHER 6	1			Y08774	
026-1		AL00000127	FLAT WASHER 6	1	O	Y08774		
027		AL00000015	EYE SHIELD MOUNTING ARM L	1			Y08774	
027-1		AL00000015	EYE SHIELD MOUNTING ARM L	1	O	Y08774		
028		AL00000016	EYE SHIELD L ASSY	1			Y08774	
028-1		AL00000016	EYE SHIELD L ASSY	1	O	Y08774		
029		931201-8	HEX. NUT M5	1			Y08774	
029-1		AL00000121	HEX NUT M5	1	O	Y08774		
030		942101-7	SPRING WASHER 5	1			Y08774	
030-1		AL00000132	SPRING WASHER 5	1	O	Y08774		
031		921212-1	HEX. BOLT M5X12	1			Y08774	
031-1		AL00000252	HEX BOLT M5X10 WITH WR	1	X	Y08774		
032		942101-7	SPRING WASHER 5	1			Y08774	
033		AL00000066	LEFT SPARK SHIELD	1			Y08774	
033-1		AL00000066	LEFT SPARK SHIELD	1	O	Y08774		
034		AL00000067	LEFT WORK REST	1			Y08774	
034-1		AL00000067	LEFT WORK REST	1	O	Y08774		

Interchange
O : Yes
X : No
< : the new part can be substituted for the current.
> : the current part can be substituted for the new.
S : Interchangeable as a set.

TH	THAILAND
----	----------

GB801 / BENCH GRINDER 205MM

Item	Sub	Parts No.	Parts Description	Qty	I/C	E/C No.	Close No.	Remark
035		941202-8	FLAT WASHER 8	2			Y08774	
035-1		AL00000128	FLAT WASHER 8	2	O	Y08774		
036		942101-7	SPRING WASHER 5	1			Y08774	
036-1		AL00000132	SPRING WASHER 5	1	O	Y08774		
037		931201-8	HEX. NUT M5	1			Y08774	
037-1		AL00000121	HEX NUT M5	1	O	Y08774		
038		921411-5	HEX. BOLT M8X12	2			Y08774	
038-1		AL00000118	HEX BOLT M8X10	2	X	Y08774		
039		AL00000068	PAN HEAD SCREW M5X142	4				
040		941101-4	FLAT WASHER 5	4			Y08774	
040-1		AL00000126	FLAT WASHER 5	4	O	Y08774		
041		AL00000069	HOUSING R	1			Y08774	
041-1		AL00000069	HOUSING R	1	O	Y08774		
042		211306-3	BALL BEARING 6204LLB	1			Y08774	
042-1		AL00000101	BALL BEARING 6204	1	O	Y08774		
043		951051-5	SPRING PIN 3-8	2			Y08774	
043-1		AL00000135	SPRING PIN 3X8	2	O	Y08774		
044		AL00000070	ROTOR	1			Y07349	
044-1		AL00000241	ROTOR	1	S	Y07349		
045		AL00000190	STATOR	1			Y07349	
045-1		AL00000236	STATOR 220-240V 50HZ	1	S	Y07349	Y08774	
045-2		AL00000236	STATOR 220-240V 50HZ	1	O	Y08774		
046		AL00000022	GROMMET	1			Y08774	
046-1		AL00000022	GROMMET	1	O	Y08774		
047		AL00000072	HOUSING CENTER	1			Y08774	
047-1		AL00000072	HOUSING CENTER	1	O	Y08774		
048		911113-1	PAN HEAD SCREW M4X10 WITH WR	4			Y08774	
048-1		AL00000108	PAN HEAD SCREW M4X8	4	X	Y08774		
049		AL00000024	CORD CLIP PLATE (3 HOLES)	1			Y08794	
049-1		AL00000024	CORD CLIP PLATE (3 HOLES)	1	O	Y08794		
050		911113-1	PAN HEAD SCREW M4X10 WITH WR	2			Y08774	
050-1		AL00000103	PAN HEAD SCREW M4X8	2	X	Y08774		
051		AL00000174	POWER SUPPLY CORD PH 3P	1			Y08774	
051-1		AL00000174	POWER SUPPLY CORD PH 3P	1	O	Y08774		
054		AL00000026	GROMMET WITH STRAIN RELIEF	3			Y08774	
054-1		AL00000026	GROMMET WITH STRAIN RELIEF	3	O	Y08774		
055		211306-3	BALL BEARING 6204LLB	1			Y08774	
055-1		AL00000101	BALL BEARING 6204	1	O	Y08774		
056		AL00000073	WAVE SPRING WASHER 39	1			Y08774	
056-1		AL00000073	WAVE SPRING WASHER 39	1	O	Y08774		
057		AL00000074	HOUSING L	1			Y08774	
057-1		AL00000074	HOUSING L	1	O	Y08774		
058		942101-7	SPRING WASHER 5	4			Y08774	
058-1		AL00000132	SPRING WASHER 5	4	O	Y08774		
059		931201-8	HEX. NUT M5	4			Y08774	
059-1		AL00000121	HEX NUT M5	4	O	Y08774		
060		AL00000029	CAPACITOR SUPPORT	1			Y08774	
060-1		AL00000029	CAPACITOR SUPPORT	1	O	Y08774		
061		931402-8	HEX. NUT M8	1			Y08774	
061-1		AL00000122	HEX NUT M8	1	O	Y08774		
062		911113-1	PAN HEAD SCREW M4X10 WITH WR	1			Y08774	
062-1		AL00000295	PAN HEAD SCREW M4X7 WITH WG	1	X	Y08774		
063		AL00000099	CAPACITOR 10 MICRO F/450V	1			Y08774	
063-1		AL00000099	CAPACITOR 10 MICRO F/450V	1	O	Y08774		
064		942051-6	SPRING WASHER 4	2			Y08774	
064-1		AL00000131	SPRING WASHER 4	2	O	Y08774		
065		931102-0	HEX. NUT M4	4			Y08774	
065-1		AL00000120	HEX NUT M4	4	O	Y08774		
066		942051-6	SPRING WASHER 4	2			Y08774	
066-1		AL00000131	SPRING WASHER 4	2	O	Y08774		
067		911113-1	PAN HEAD SCREW M4X10 WITH WR	6			Y08774	
067-1		AL00000108	PAN HEAD SCREW M4X8	6	X	Y08774		
068		911113-1	PAN HEAD SCREW M4X10 WITH WR	1			Y08774	
068-1		AL00000295	PAN HEAD SCREW M4X7 WITH WG	1	X	Y08774		
069		AL00000134	TOOTHED LOCK WASHER 4	1				

Interchange
O : Yes
X : No
< : the new part can be substituted for the current.
> : the current part can be substituted for the new.
S : Interchangeable as a set.

TH	THAILAND
----	----------

GB801 / BENCH GRINDER 205MM

Item	Sub	Parts No.	Parts Description	Qty	I/C	E/C No.	Close No.	Remark
070		AL00000076	BASE	1				
071		AL00000033	SWITCH COVER ASSY	1			Y07269	
072		AL00000032	SWITCH ASSY COVER	1			Y07269	
072-1		AL00000168	SWITCH WITH COVER	1	<	Y07269		
073		911113-1	PAN HEAD SCREW M4X10 WITH WR	2			Y08774	
073-1		AL00000103	PAN HEAD SCREW M4X8	2	X	Y08774		
074		AL00000031	SWITCH BOARD	1				
075		AL00000134	TOOTHED LOCK WASHER 4	1				
076		911113-1	PAN HEAD SCREW M4X10 WITH WR	1			Y08774	
076-1		AL00000295	PAN HEAD SCREW M4X7 WITH WG	1	X	Y08774		
077		AL00000107	PAN HEAD SCREW M5X57	1		Y08774		
078		AL00000077	RIGHT WHEEL COVER	1			Y08774	
078-1		AL00000077	RIGHT WHEEL COVER	1	O	Y08774		
079		AL00000078	HEX NUT M16	1				
080		AL00000059	PAN HEAD SCREW M5X6	2			Y08774	
080-1		AL00000059	PAN HEAD SCREW M5X6	2	O	Y08774		
081		AL00000060	BALANCE PLATE	1				
082		AL00000061	BALANCE WEIGHT	2				
083		AL00000062	OUTER FLANGE 84	1			Y08774	
083-1		AL00000062	OUTER FLANGE 84	1	O	Y08774		
084		911156-3	PAN HEAD SCREW M4X30	2			Y08774	
084-1		AL00000105	PAN HEAD SCREW M4X30	2	O	Y08774		
085		AL00000011	LAMP COVER ASSY	1			Y08774	
085-1		AL00000011	LAMP COVER ASSY	1	O	Y08774		
086		AL00000013	BULB S-25 12V 10W	1			Y08774	
086-1		AL00000013	BULB S-25 12V 10W	1	O	Y08774		
087		AL00000012	LAMP SOCKET S-25	1			Y07492	
087-1		AL00000138	LAMP SOCKET S-25	1	X	Y07492	Y08774	
087-2		AL00000138	LAMP SOCKET S-25	1	O	Y08774		
088		911118-1	PAN HEAD SCREW M4X12	2			Y08774	
088-1		AL00000104	PAN HEAD SCREW M4X10	2	X	Y08774		
089		AL00000010	CORD CLAMP BASE	1			Y08774	
089-1		AL00000010	CORD CLAMP BASE	1	O	Y08774		
090		911113-1	PAN HEAD SCREW M4X10 WITH WR	2			Y08774	
090-1		AL00000103	PAN HEAD SCREW M4X8	2	X	Y08774		
091		AL00000009	PLASTIC HEX NUT M10	1			Y08774	
091-1		AL00000009	PLASTIC HEX NUT M10	1	O	Y08774		
092		AL00000194	LAMP COVER BASE	1				
093		AL00000065	CORD COVER	1			Y08774	
093-1		AL00000065	CORD COVER	1	O	Y08774		
094		911107-6	PAN HEAD SCREW M4X8	4			Y08774	
094-1		AL00000114	PAN HEAD SCREW M4X6	4	X	Y08774		
095		AL00000079	RIGHT SPARK SHIELD	1			Y08774	
095-1		AL00000079	RIGHT SPARK SHIELD	1	O	Y08774		
096		942101-7	SPRING WASHER 5	1			Y08774	
097		921212-1	HEX. BOLT M5X12	1			Y08774	
097-1		AL00000252	HEX BOLT M5X10 WITH WR	1	X	Y08774		
098		AL00000080	COOLANT TRAY	1				
099		AL00000081	UNDER COVER	1			Y08774	
099-1		AL00000081	UNDER COVER	1	O	Y08774		
100		AL00000083	PUBBER FOOT	4			Y08774	
100-1		AL00000083	PUBBER FOOT	4	O	Y08774		
101		941101-4	FLAT WASHER 5	4			Y08774	
101-1		AL00000130	FLAT WASHER 5 (L)	4	O	Y08774		
102		911267-4	PAN HEAD SCREW M5X45	4			Y08774	
102-1		AL00000112	PAN HEAD SCREW M5X45	4	O	Y08774		
103		921351-7	HEX. BOLT M6X30	1			Y08774	
103-1		AL00000119	HEX BOLT M6X30	1	O	Y08774		
104		941151-9	FLAT WASHER 6	1			Y08774	
104-1		AL00000127	FLAT WASHER 6	1	O	Y08774		
105		AL00000014	KNOB BOLT M4X12	1			Y08774	
105-1		AL00000014	KNOB BOLT M4X12	1	O	Y08774		
106		AL00000038	EYE SHIELD MOUNTING ARM R	1			Y08774	
106-1		AL00000038	EYE SHIELD MOUNTING ARM R	1	O	Y08774		
107		AL00000037	EYE SHIELD WITH MAGNIFYER	1			Y08774	

Interchange
O : Yes
X : No
< : the new part can be substituted for the current.
> : the current part can be substituted for the new.
S : Interchangeable as a set.

