



TH	THAILAND
----	----------

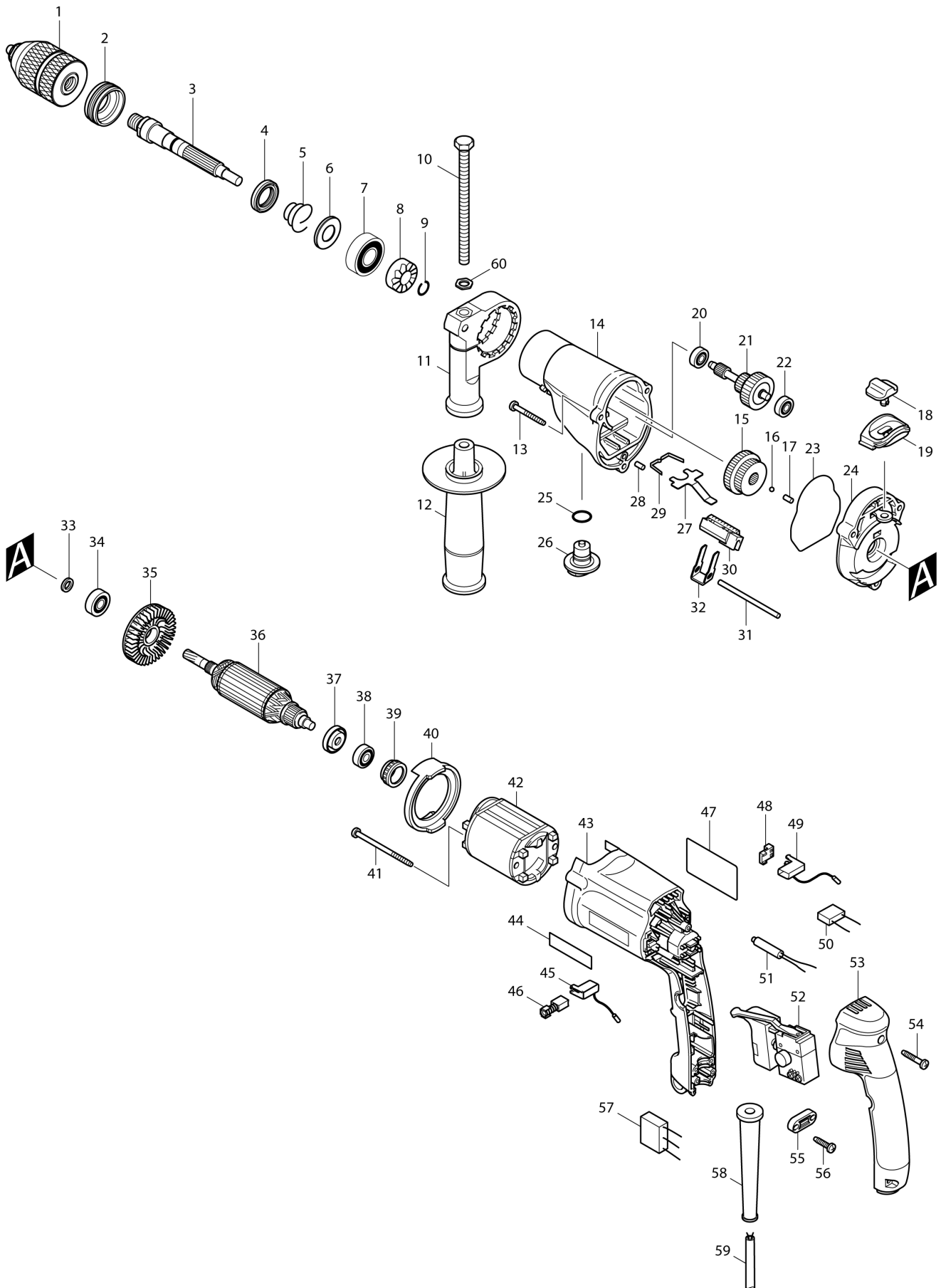
Diagram / Parts List

HP2051

2-SPEED HAMMER DRILL 20MM



(TH) HP2051 / 2-SPEED HAMMER DRILL 20MM



TH	THAILAND
----	----------

HP2051 / 2-SPEED HAMMER DRILL 20MM

Item	Sub	Parts No.	Parts Description	Qty	I/C	E/C No.	Close No.	Remark
001		192664-5	KEYLESS DRILL CHUCK	1			86755	
001-1		194254-0	KEYLESS DRILL CHUCK SET	1	<	86755		
002		285839-4	BEARING RETAINER	1				
003		324247-5	SPINDLE	1				
004		213314-0	OIL SEAL 19	1				
005		233921-3	CONICAL COMPRESSION SPRING	1				
006		345224-4	CUP WASHER 15	1				
007		211206-7	BALL BEARING 6202LLB	1				
008		223137-8	CAM A	1				
009		233920-5	RING SPRING 11	1				
010		921923-8	HEX. BOLT M8X120	1				
011		417630-4	GRIP BASE	1			65636	
011-1		417630-4	GRIP BASE	1	O	65636		
012		152521-9	GRIP 36 COMPLETE	1			Y04115	
012-1		134943-5	GRIP 36 ASS'Y	1	<	Y04115	65636	
	C10	152521-9	GRIP 36 COMPLETE	1			65636	
	D10		INC. 10,11				65636	
012-2		134943-5	GRIP 36 ASS'Y	1	<	65636	86009	
	C10	152521-9	GRIP 36 COMPLETE	1		65636	86009	
	D10		INC. 10,11,60			65636	86009	
012-3		135302-6	GRIP 36 ASS'Y	1	O	86009		
	C10	153503-4	GRIP 36 COMPLETE	1		86009		
	D10		INC. 10,11,60			86009		
013		266053-1	TAPPING SCREW 4X35	3				
014		153379-9	GEAR HOUSING COMPLETE	1				
015		227030-8	SPUR GEAR 29-37	1				
016		216001-0	STEEL BALL 3.5	1				
017		256251-5	PIN 4	1				
018		417801-3	CHANGE LEVER A	1			67888A	
018-1		418083-0	CHANGE LEVER A	1	<	67888A		
019		417802-1	LEVER CASE	1				
020		211014-6	BALL BEARING 606	1			86244	
020-1		211012-0	BALL BEARING 606ZZ	1	O	86244		
021		153363-4	GEAR COMPLETE	1			68682	
021-1		153622-6	GEAR COMPLETE	1	O	68682		
022		211014-6	BALL BEARING 606	1			86244	
022-1		211012-0	BALL BEARING 606ZZ	1	O	86244		
023		421810-6	SEAL RING	1				
024		153364-2	GEAR HOUSING COVER COMPLETE	1			67951	
024-1		153620-0	GEAR HOUSING COVER COMPLETE	1	<	67951		
025		213162-7	O RING 14	1			68682	
025-1		213122-9	O RING 12	1	O	68682		
026		417805-5	CHANGE LEVER B	1				
027		345225-2	LOCK PLATE	1				
028		256251-5	PIN 4	1				
029		232143-2	LEAF SPRING	1				
030		417804-7	RACK 12	1				
031		268092-7	PIN 4	1				
032		345223-6	CHANGE PLATE B	1				
033		262087-2	RING 8	1			D6478	
033-1		257857-2	RING 8	1	<	D6478		
034		210005-4	BALL BEARING 608DDW	1				
035		241881-5	FAN 52	1				
036		517413-3	ARMATURE ASS'Y 220V	1				
	D10		INC. 33,34,35,37,38					
037		681636-0	INSULATION WASHER	1				
038		211021-9	BALL BEARING 607LLB	1				
039		421494-0	RUBBER RING 19	1				
040		417803-9	BAFFLE PLATE	1				
041		266060-4	TAPPING SCREW 4X65	2				
042		633528-9	FIELD 220-240V	1				
043		183453-9	MOTOR HOUSING	1			79343	
	D10		INC. 44				79343	
043-1		417807-1	MOTOR HOUSING	1	O	79343		
044		819063-3	MAKITA LABEL	1			79343	

Interchange
O : Yes
X : No
< : the new part can be substituted for the current.
> : the current part can be substituted for the new.
S : Interchangeable as a set.

