



TH	THAILAND
----	----------

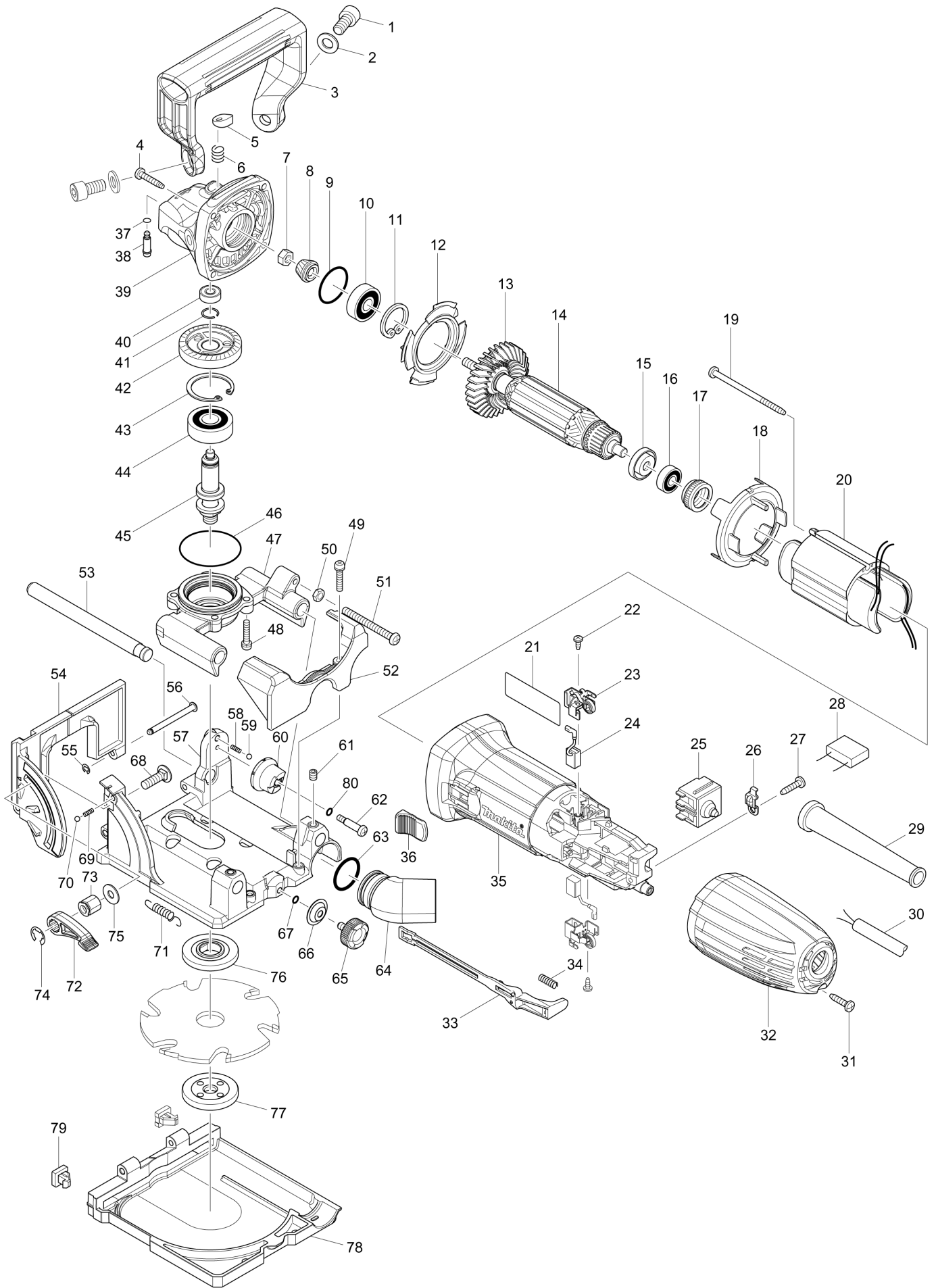
Diagram / Parts List

PJ7000

PLATE JOINER



(TH) PJ7000 / PLATE JOINER



TH	THAILAND
-----------	-----------------

PJ7000 / PLATE JOINER

Item	Sub	Parts No.	Parts Description	Qty	I/C	E/C No.	Close No.	Remark
001		922422-3	HEX. SOCKET HEAD BOLT M8X16	2				
002		941202-8	FLAT WASHER 8	2				
003		453218-6	GRIP	1				
004		266324-6	TAPPING SCREW 4X22	4				
005		417771-6	PIN CAP	1				
006		234057-1	COMPRESSION SPRING 8	1				
007		252186-8	HEX. NUT M6	1				
008		227545-5	SPIRAL BEVEL GEAR 10	1			DJ258	
008-1		227545-5	SPIRAL BEVEL GEAR 10	1	S	DJ258		
009		213445-5	O-RING 26	1				
010		211092-6	BALL BEARING 629DDW	1				
011		962105-3	RETAINING RING R-26	1				
012		413126-3	GUIDE PLATE	1				
013		240107-2	FAN 56	1			97304	
013-1		240139-9	FAN 56	1	O	97304		
014		517648-6	ARMATURE ASS'Y 220V	1				
	D10		INC. 13,15,16					
015		681636-0	INSULATION WASHER	1				
016		210034-7	BALL BEARING 607LLB	1				
017		421868-5	LABYRINTH RUBBER RING 19	1				
018		450796-7	BAFFLE PLATE	1				
019		266325-4	TAPPING SCREW 4X70	2				
020		623533-4	FIELD 220-240V	1			A1657	
020-1		635113-4	FIELD 220-240V	1	O	A1657		
021		896483-8	PJ7000 NAME PLATE	1				
022		266492-5	TAPPING SCREW 3X8	2				
023		643839-4	BRUSH HOLDER 6X9	2				
024		195026-6	CARBON BRUSH SET CB-459	1				
025		650621-4	SWITCH PS10	1				
026		687682-1	STRAIN RELIEF	1				
027		266326-2	TAPPING SCREW 4X18	1				
029		682504-0	CORD GUARD 10-85	1				
030		691015-4	POWER SUPPLY CORD 0.75-2-2.5	1				
031		266326-2	TAPPING SCREW 4X18	1				
032		450794-1	REAR COVER	1				
033		450797-5	SWITCH LEVER	1				
034		233121-5	COMPRESSION SPRING 4	1				
035		450795-9	MOTOR HOUSING	1				
036		419566-3	SWITCH KNOB	1				
037		213032-0	O RING 4	1				
038		256510-7	SHOULDER PIN 4	1				
039		141327-0	GEAR HOUSING COMPLETE	1				
	C10	263002-9	RUBBER PIN 4	1				
040		210033-9	BALL BEARING 696ZZ	1				
041		233950-6	RING SPRING 11	1				
042		227546-3	SPIRAL BEVEL GEAR 37	1			DJ258	
042-1		227546-3	SPIRAL BEVEL GEAR 37	1	S	DJ258		
043		962151-6	RETAINING RING R-32	1				
044		211129-9	BALL BEARING 6201DDW	1				
045		326120-5	SPINDLE	1				
046		213561-3	O RING 42	1				
047		318811-2	BEARING BOX	1				
048		911136-9	PAN HEAD SCREW M4X20	4				
049		911136-9	PAN HEAD SCREW M4X20	2				
050		931203-4	HEX. NUT M5	1				
051		266741-0	PAN HEAD SCREW M5X50	1				
052		453406-5	BASE COVER	1				
053		326145-9	ROD 10	2				
054		141247-8	FENCE COMPLETE	1				
	C10	890236-7	SCALE PLATE	1				
055		961017-7	STOP RING E-3	2				
056		256689-4	PIN 4	2				
057		318813-8	BASE	1				
058		231282-5	COMPRESSION SPRING 2.4	1				
059		216001-0	STEEL BALL 3.5	1				

A: PJ7000(H)

Interchange
 O : Yes
 X : No
 < : the new part can be substituted for the current.
 > : the current part can be substituted for the new.
 S : Interchangeable as a set.

