



TH	THAILAND
----	----------

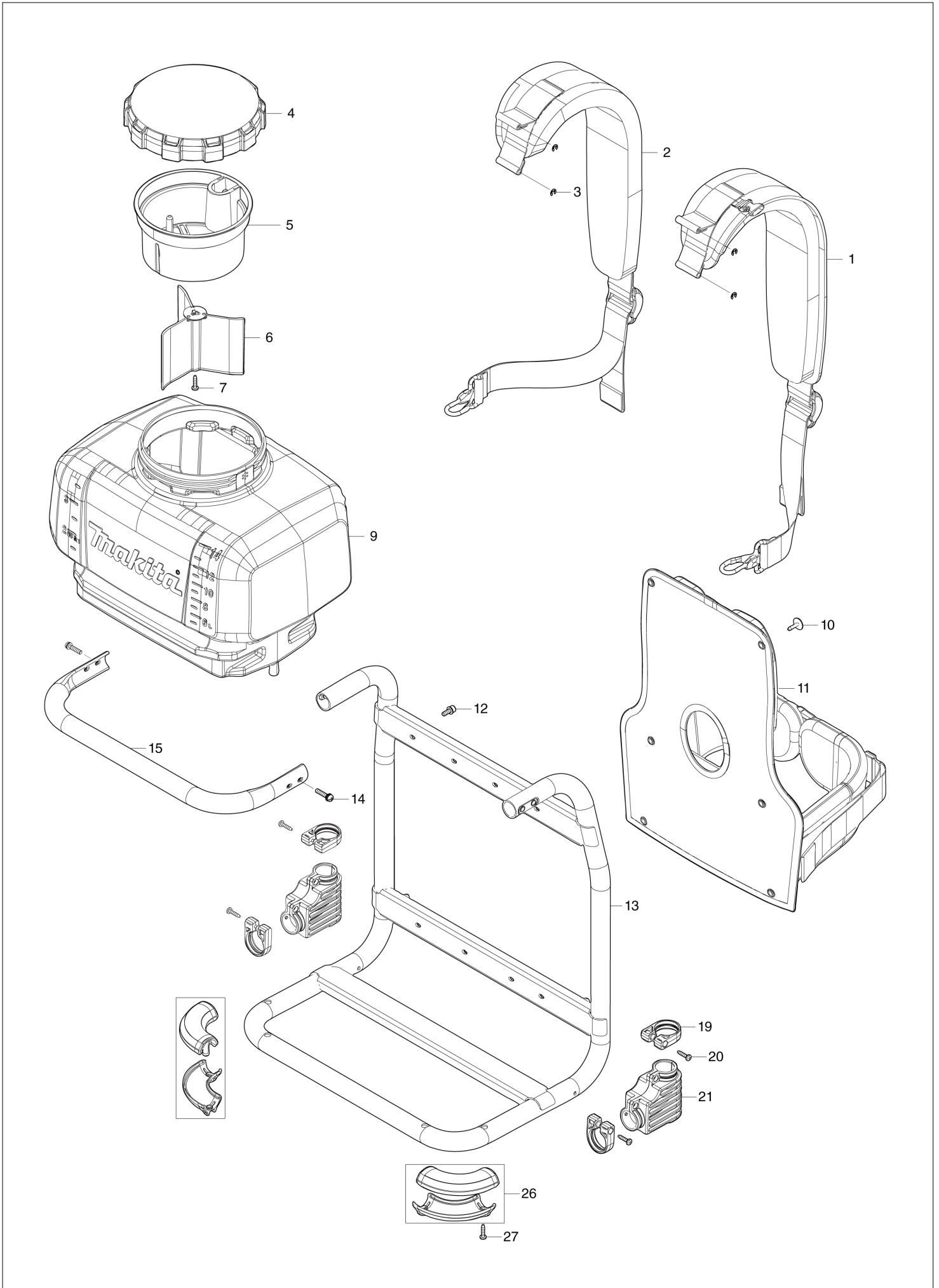
# Diagram / Parts List

**PM001G**

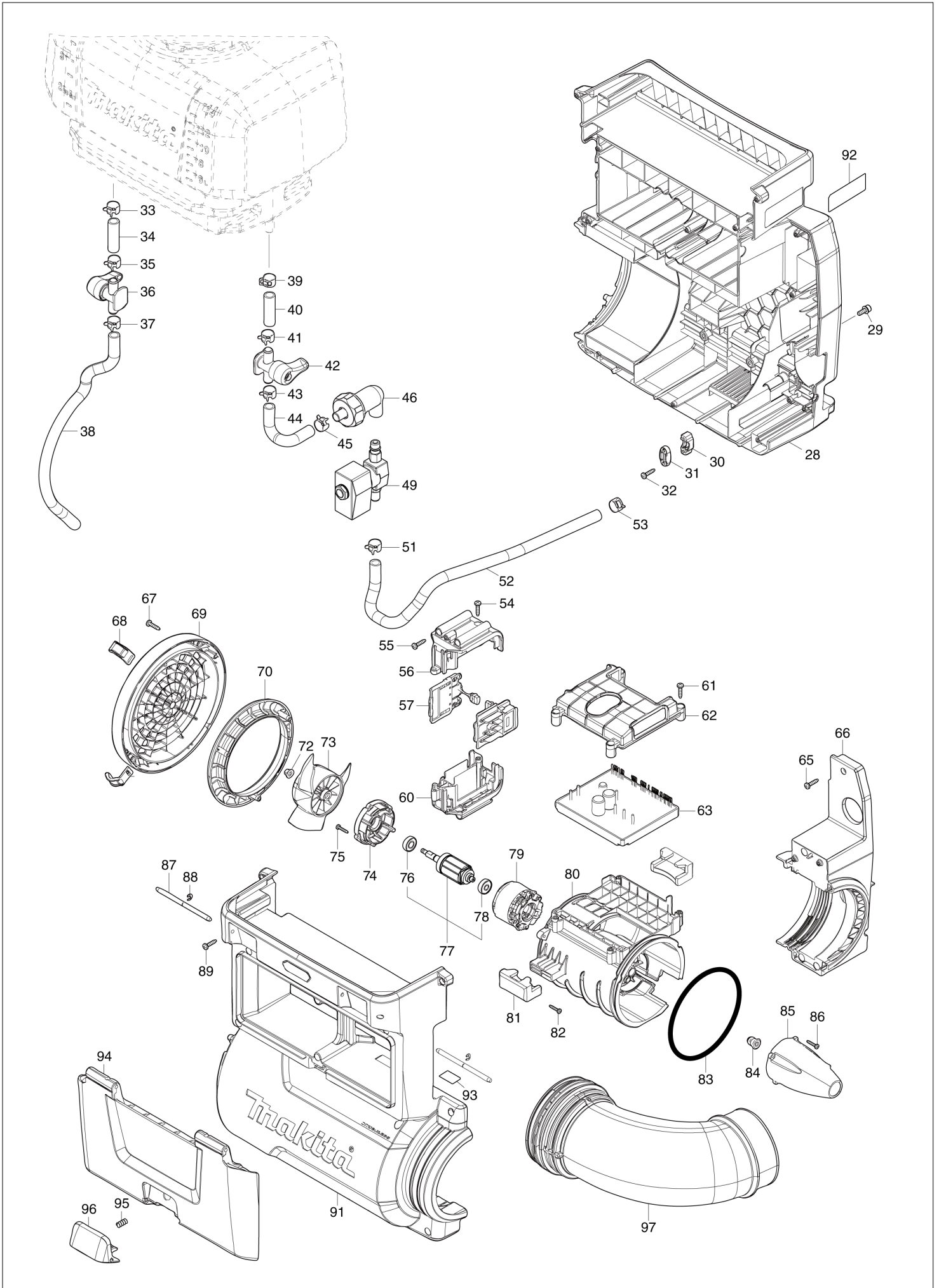
**CORDLESS BACKPACK MIST BLOWER**



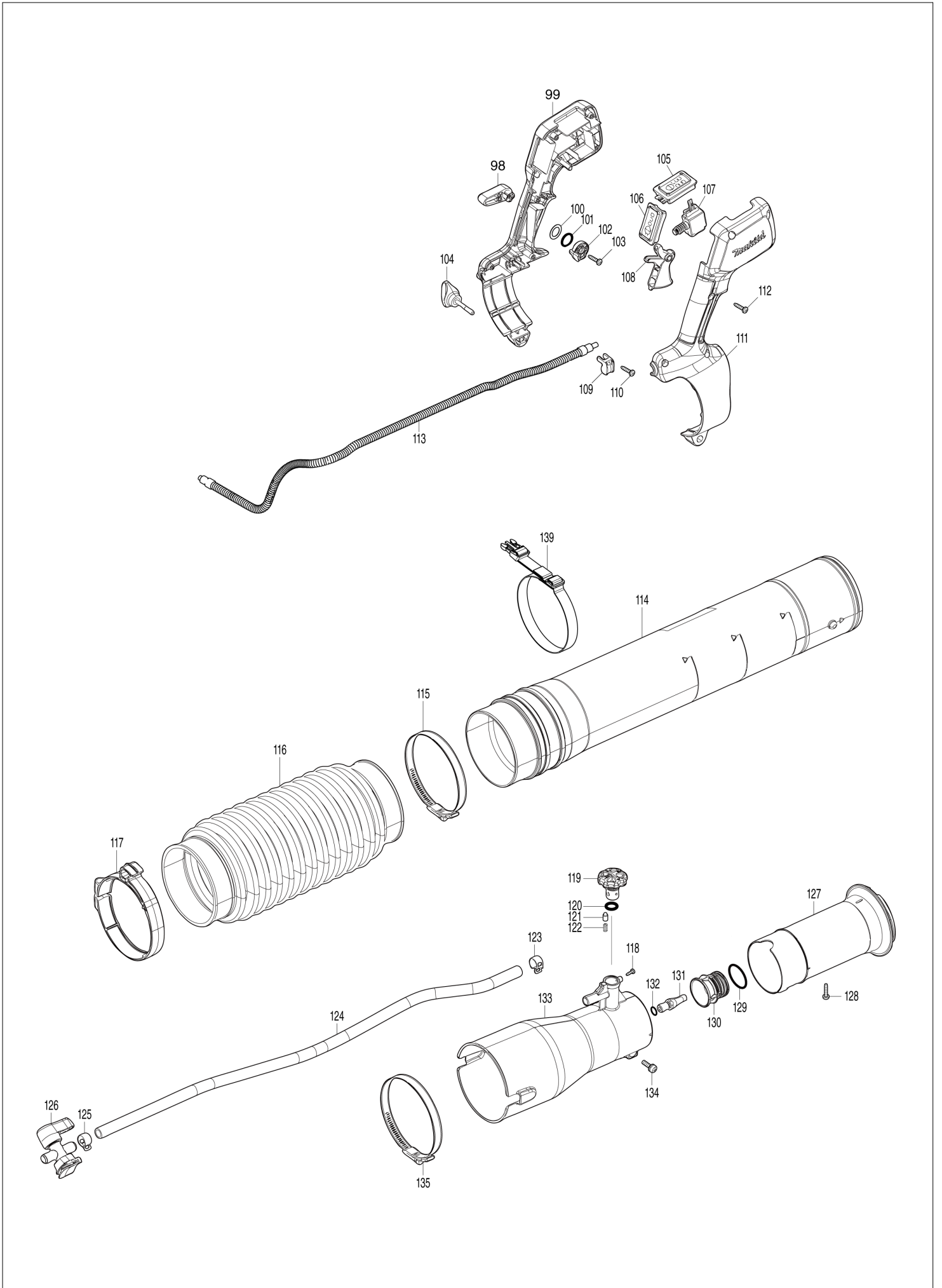
(TH) PM001G / CORDLESS BACKPACK MIST BLOWER



(TH) PM001G / CORDLESS BACKPACK MIST BLOWER



(TH) PM001G / CORDLESS BACKPACK MIST BLOWER



TH	THAILAND
----	----------

### PM001G / CORDLESS BACKPACK MIST BLOWER

Item	Sub	Parts No.	Parts Description	Qty	I/C	E/C No.	Close No.	Remark
001		162C47-1	BAND R	1				
002		162C46-3	BAND L	1				
003		961011-9	STOP RING E-4	4				
004		141764-8	TANK CAP COMPLETE	1				
005		413M64-7	TANK STRAINER	1				
006		413M65-5	STRAINER FIN	1				
007		266326-2	TAPPING SCREW 4X18	1				
009		136980-5	TANK ASS'Y	1				
	C10	422978-1	UMBRELLA CHECK VALVE	1				
	C20	256A28-4	ROD 5	4				
010		252274-1	TAPPING SCREW 4X18 WITH W	6				
011		162B58-0	CUSHION COMPLETE	1			DP161	
011-1		162D10-0	CUSHION COMPLETE	1	O	DP161		
012		922218-2	H.S.H.BOLT M5X14 WITH WR	8				
013		327A95-7	PIPE FRAME A	1				
014		265A08-9	PAN HEAD SCREW M5X20	4				
015		327A96-5	PIPE FRAME B	1				
019		413K11-6	RUBBER CLAMP	4				
020		266326-2	TAPPING SCREW 4X18	4				
021		422977-3	FOOT HOUSING RUBBER	2				
026		183X85-6	FOOT HOUSING SET	2				
027		266326-2	TAPPING SCREW 4X18	4				
028		141M69-4	LOWER HOUSING COMPLETE B	1				
	C10	8066X9-2	CAUTION LABEL	1				
029		922218-2	H.S.H.BOLT M5X14 WITH WR	2				
030		687051-6	STRAIN RELIEF	1				
031		687124-5	STRAIN RELIEF	1				
032		266326-2	TAPPING SCREW 4X18	2				
033		282023-2	HOSE CLAMP 14	1				
034		422981-2	TUBE 10-45	1				
035		282023-2	HOSE CLAMP 14	1				
036		122D52-6	COCK ASSEMBLY A	1				
	C10	266326-2	TAPPING SCREW 4X18	1				
	C20	457675-0	COCK LEVER	1				
037		282023-2	HOSE CLAMP 14	1				
038		422982-0	TUBE 10-370	1				
039		282023-2	HOSE CLAMP 14	1				
040		422981-2	TUBE 10-45	1				
041		282023-2	HOSE CLAMP 14	1				
042		122D52-6	COCK ASSEMBLY A	1				
	C10	266326-2	TAPPING SCREW 4X18	1				
	C20	457675-0	COCK LEVER	1				
043		282023-2	HOSE CLAMP 14	1				
044		422980-4	TUBE 10-100	1				
045		282023-2	HOSE CLAMP 14	1				
046		122E16-6	STRAINER ASSEMBLY	1				
	C10	413M62-1	STRAINER	1				
049		136985-5	SOLENOID VALVE ASS'Y	1				
	C10	213063-9	O RING 10	1				
051		282023-2	HOSE CLAMP 14	1				
052		422983-8	TUBE 10-500	1				
053		282023-2	HOSE CLAMP 14	1				
054		266326-2	TAPPING SCREW 4X18	2				
055		266326-2	TAPPING SCREW 4X18	4				
056		183Y74-7	TERMINAL BOX SET	1				
	C10	263005-3	RUBBER PIN 6	4				
	D10		INC. 60					
057		632P65-6	TERMINAL UNIT	2				
060		183Y74-7	TERMINAL BOX SET	1				
	C10	263005-3	RUBBER PIN 6	4				
	D10		INC. 56					
061		266326-2	TAPPING SCREW 4X18	4				
062		413M52-4	CONTROLLER CASE COVER	1				
063		620K76-3	CONTROLLER	1				
065		266326-2	TAPPING SCREW 4X18	4				

A:PM001GZ(N)  
 B:PM001GT201(H)  
 C:PM001GL201(H)

Interchange  
 O : Yes  
 X : No  
 < : the new part can be substituted for the current.  
 > : the current part can be substituted for the new.  
 S : Interchangeable as a set.

TH	THAILAND
----	----------

### PM001G / CORDLESS BACKPACK MIST BLOWER

Item	Sub	Parts No.	Parts Description	Qty	I/C	E/C No.	Close No.	Remark
066		413M43-5	ELBOW SUPPORT	1				
067		266326-2	TAPPING SCREW 4X18	4				
068		413M58-2	CLAMP	2				
069		413G61-7	REAR COVER	1				
070		413G72-2	FAN GUIDE	1				
072		252286-4	COLLARED HEX.LOCK NUT M5-8	1				
073		240177-1	FAN 110	1				
074		413G67-5	MOTOR HOUSING COVER	1				
075		266130-9	TAPPING SCREW BIND PT 3X16	4				
076		210040-2	BALL BEARING 698LLU	1				
077		519639-3	ROTOR ASS'Y	1				
	D10		INC. 76,78					
078		210022-4	BALL BEARING 626DDW	1				
079		629C09-7	STATOR	1				
080		413M44-3	MOTOR HOUSING	1				
081		422877-7	RUBBER CUSHION	2				
082		266130-9	TAPPING SCREW BIND PT 3X16	3				
083		424721-4	RUBBER RING 115	1				
084		422879-3	GROMMET	1				
085		413G64-1	CAP	1				
086		266130-9	TAPPING SCREW BIND PT 3X16	3				
087		256938-9	ROD 5	2				
088		961011-9	STOP RING E-4	2				
089		266326-2	TAPPING SCREW 4X18	12				
091		136912-2	UPPER HOUSING ASSEMBLY	1				
	C10	8030S0-0	XGT LOGO LABEL	1				
092		8587F3-0	PM001G NAME PLATE	1				
093		8587G1-1	PM001G SERIAL NO. LABEL	1				
094		413M54-0	BATTERY COVER	1				
095		231240-1	COMPRESSION SPRING 7	1				
096		413M55-8	LOCK LEVER	1				
097		413M51-6	ELBOW	1				
098		413G66-7	CONTROL LEVER	1				
099		183X86-4	LEVER CASE SET	1				
	C10	252103-8	HEX. LOCK NUT M5-8	1				
	D10		INC. 111					
100		253798-0	FLAT WASHER 13	1				
101		213154-6	O RING 14	1				
102		412754-1	LINK	1				
103		266326-2	TAPPING SCREW 4X18	1				
104		265C61-7	THUMB SCREW M5X35	1				
105		620L36-1	INDICATION CIRCUIT COMPLETE	1				
106		620L35-3	SWITCH CIRCUIT COMPLETE	1				
	C10	136982-1	SWITCH PLATE ASS'Y	1				
	C20	266490-9	TAPPING SCREW PT 2X6	3				
107		651492-2	SWITCH C3JR-1A-PAXD3	1				
108		413G68-3	SWITCH LEVER	1				
109		687260-7	STRAIN RELIEF	1				
110		266326-2	TAPPING SCREW 4X18	1				
111		183X86-4	LEVER CASE SET	1				
	C10	252103-8	HEX. LOCK NUT M5-8	1		Y09059		
	D10		INC. 99					
112		266326-2	TAPPING SCREW 4X18	6				
113		699221-5	POWER SUPPLY CORD UNIT	1				
114		162B56-4	SWIVEL PIPE COMPLETE	1				
115		281040-9	HOSE CLAMP 110	1				
116		413M50-8	FLEXIBLE PIPE 100	1				
117		122F35-8	HOSE CLAMP 110 ASSEMBLY	1				
	C10	252103-8	HEX. LOCK NUT M5-8	1		Y09059		
	C20	911258-5	PAN HEAD SCREW M5X35	1		Y09059		
118		266007-8	TAPPING SCREW BIND PT 3X10	1				
119		453505-3	NOZZLE CAP	1				
120		213686-3	O-RING 12	1				
121		268288-0	PIN 5.5	1				
122		234244-2	COMPRESSION SPRING 3	1				

A:PM001GZ(N)  
 B:PM001GT201(H)  
 C:PM001GL201(H)

Interchange  
 O : Yes  
 X : No  
 < : the new part can be substituted for the current.  
 > : the current part can be substituted for the new.  
 S : Interchangeable as a set.

