



TH	THAILAND
----	----------

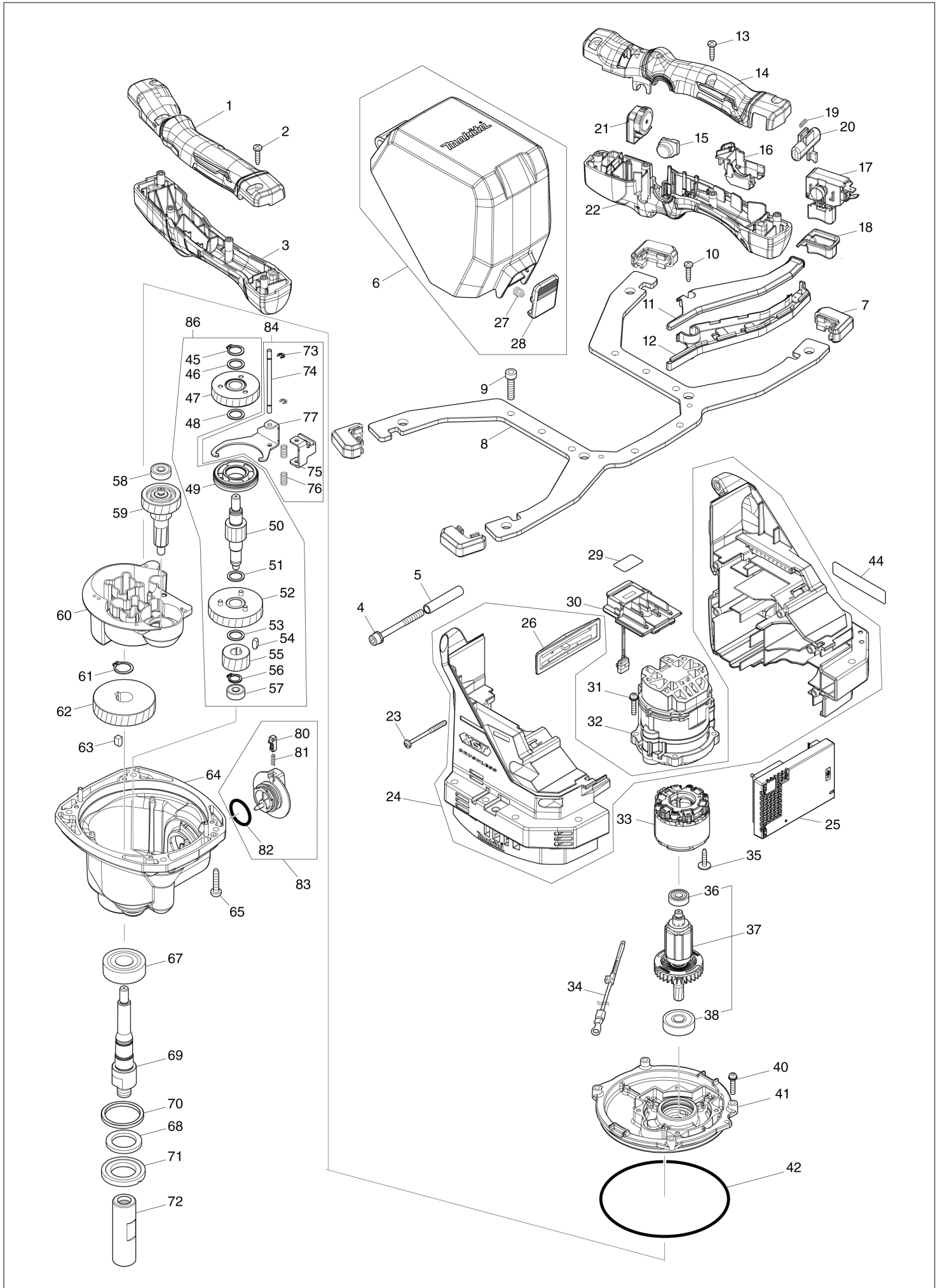
Diagram / Parts List

UT001G

CORDLESS MIXER



(TH) UT001G / CORDLESS MIXER



TH	THAILAND
----	----------

UT001G / CORDLESS MIXER

Item	Sub	Parts No.	Parts Description	Qty	I/C	E/C No.	Close No.	Remark
001		183X11-5	LEFT GRIP SET	1				
	D10		INC. 3					
002		266326-2	TAPPING SCREW 4X18	4				
003		183X11-5	LEFT GRIP SET	1				
	D10		INC. 1					
004		922383-7	H.S.H.BOLT M6X60 WITH WR	1				
005		257885-7	SLEEVE 6	1				
006		122D95-8	COVER L ASSEMBLY	1				
	D10		INC. 27,28					
007		422906-6	HANDLE GUARD	4				
008		347A13-9	HANDLE	1				
009		922342-1	HEX. SOCKET HEAD BOLT M6X25	8				
010		266326-2	TAPPING SCREW 4X18	1				
011		413J45-3	HANDLE COVER	1				
012		413J46-1	LEAD HOLDER	1				
013		266326-2	TAPPING SCREW 4X18	4				
014		183X10-7	RIGHT GRIP SET	1				
	D10		INC. 22					
015		458819-5	LOCK ON BUTTON COVER	1				
016		413J58-4	SWITCH SUPPORT	1				
017		650035-7	SWITCH C3JW-4BM-1L-R	1				
018		458816-1	SWITCH COVER	1				
019		231433-0	COMPRESSION SPRING 4	1				
020		412551-5	LOCK OFF BUTTON	1				
021		620E29-6	DIAL CIRCUIT	1				
022		183X10-7	RIGHT GRIP SET	1				
	D10		INC. 14					
023		266467-4	TAPPING SCREW 4X50	6				
024		183X13-1	HOUSING SET	1				
	C10	263005-3	RUBBER PIN 6	2				
	C20	8032A7-2	XGT LOGO LABEL	1				
	D10		INC. 26					
025		620J16-5	CONTROLLER	1				
026		413J49-5	LOGO PLATE	1				
027		232676-7	COMPRESSION SPRING 7	1				
028		413J53-4	HOOK	1				
029		8584E0-1	UT001G SERIAL NO. LABEL	1				
030		632P49-4	TERMINAL UNIT	1				
031		911138-5	P.H.SCREW M4X20 WITH WR	4				
032		413J44-5	MOTOR HOUSING	1				
033		629B88-9	STATOR	1				
035		265620-9	TAPPING SCREW FLANGE 4X18	2				
036		211022-7	BALL BEARING 607ZZ	1				
037		519789-4	ROTOR ASSEMBLY	1				
	D10		INC. 36,38					
038		211087-9	BALL BEARING 6200DDW	1				
040		911138-5	P.H.SCREW M4X20 WITH WR	4				
041		136830-4	MOTOR BRACKET ASSY	1				
	C10	213406-5	O RING 30	1				
042		213A27-9	O-RING 115	1				
044		8584D8-8	UT001G NAME PLATE	1				
045		961052-5	RETAINING RING (EXT) S-12	1				
046		267104-3	FLAT WASHER 12	1				
047		141K49-8	SPUR GEAR 42 COMPLETE	1				
048		267104-3	FLAT WASHER 12	1				
049		313437-5	SPEED CHANGE RING	1				
050		327A22-4	SHAFT	1				
051		267104-3	FLAT WASHER 12	1				
052		141K50-3	SPUR GEAR 49 COMPLETE	1				
053		267104-3	FLAT WASHER 12	1				
054		254239-9	KEY 4	1				
055		227984-9	HELICAL GEAR 13	1				
056		961006-2	RETAINING RING S-10	1				
057		211012-0	BALL BEARING 606ZZ	1				
058		211016-2	BALL BEARING 626LLB	1				

A:UT001GZ(N)

Interchange

O : Yes

X : No

< : the new part can be substituted for the current.

> : the current part can be substituted for the new.

S : Interchangeable as a set.

