



TH	THAILAND
----	----------

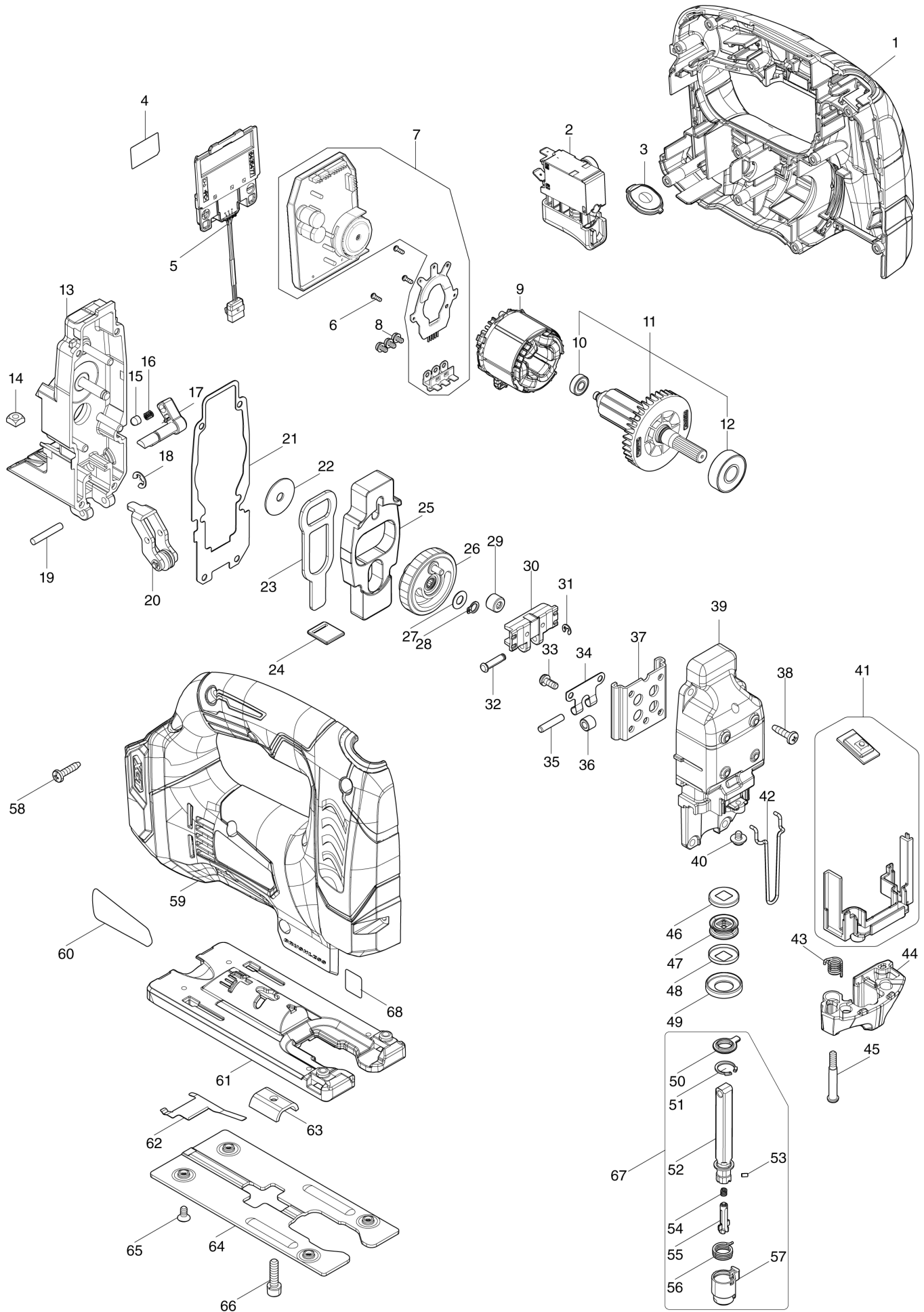
Diagram / Parts List

JV002G

CORDLESS JIG SAW



(TH) JV002G / CORDLESS JIG SAW



TH	THAILAND
----	----------

JV002G / CORDLESS JIG SAW

Item	Sub	Parts No.	Parts Description	Qty	I/C	E/C No.	Close No.	Remark
001		1830C6-5	HOUSING SET	1				
	C10	263005-3	RUBBER PIN 6	2				
	D10		INC. 59					
002		650025-0	SWITCH C3JW-4B-2AL-R	1				
003		141U73-1	SWITCH PLATE COMPLETE	1				
004		8142W2-1	JV002G SERIAL NO.LABEL	1				
005		632P64-8	TERMINAL UNIT	1				
006		266490-9	TAPPING SCREW PT 2X6	3				
007		620N14-3	CONTROLLER	1				
008		652069-6	FLAT HEAD SCREW M3X6	3				
009		629B64-3	STATOR	1				
010		210039-7	BALL BEARING 695DDW	1				
011		519769-0	ROTOR ASS'Y	1				
	D10		INC. 10,12					
012		210059-1	BALL BEARING 6000DDW	1				
013		142111-6	GEAR HOUSING COMPLETE	1				
014		252171-1	SQUARE NUT M5-8	1				
015		286032-3	CAP 5	1				
016		233139-6	COMPRESSION SPRING 3	1				
017		272280-0	LEVER 17	1				
018		961018-5	STOP RING E-5	1				
019		268063-4	PIN 4	1				
020		142110-8	RETAINER COMPLETE	1				
021		442195-7	GASKET	1				
022		253196-8	FLAT WASHER 6	1				
023		346688-5	PUSH PLATE	1				
024		454484-8	SEAL PLATE	1				
025		313260-8	BALANCE PLATE	1				
026		142109-3	GEAR COMPLETE	1				
027		253715-0	FLAT WASHER 6	1				
028		961002-0	RETAINING RING S-6	1				
029		212092-9	NEEDLE BEARING 407	1				
030		310837-0	SLIDER	1				
031		961017-7	STOP RING E-3	1				
032		268090-1	PIN 4	1				
033		911111-5	PAN HEAD SCREW M4X10 WITH W	4				
034		232207-2	LEAF SPRING	1				
035		256117-9	PIN 4	1				
036		214031-5	PLANE BEARING 4	1				
037		347B50-9	LINEAR GUIDE	1				
038		266034-5	TAPPING SCREW CT 4X16	4				
039		141R27-0	GEAR HOUSING COVER COMPLETE	1				
040		911104-2	PAN HEAD SCREW M4X6	1				
041		620N15-1	SWITCH UNIT	1				
042		326302-9	SAFETY WIRE	1				
043		231659-4	TORSION SPRING 6	1				
044		454483-0	TOOL OPENER	1				
045		265026-1	+ PAN HEAD SCREW M4	1				
046		267854-0	CAP WASHER 8	1				
047		421815-6	DUST SEAL 8	1				
048		267854-0	CAP WASHER 8	1				
049		257347-5	RING 21	1				
050		424569-4	DUST COVER	1				
051		962063-3	RETAINING RING R-13	1				
052		165724-6	ROD	1				
053		256528-8	PIN 2	1				
054		233314-4	COMPRESSION SPRING 4	1				
055		310485-5	LOCK PIN	1				
056		233591-8	TORSION SPRING 10	1				
057		310547-9	BLADE HOLDER	1				
058		265995-6	TAPPING SCREW 4X18	10				
059		1830C6-5	HOUSING SET	1				
	C10	263005-3	RUBBER PIN 6	2				
	D10		INC. 1					
060		8142W0-5	JV002G NAME PLATE	1				

A:
B:

Interchange
O : Yes
X : No
< : the new part can be substituted for the current.
> : the current part can be substituted for the new.
S : Interchangeable as a set.

