



TH	THAILAND
----	----------

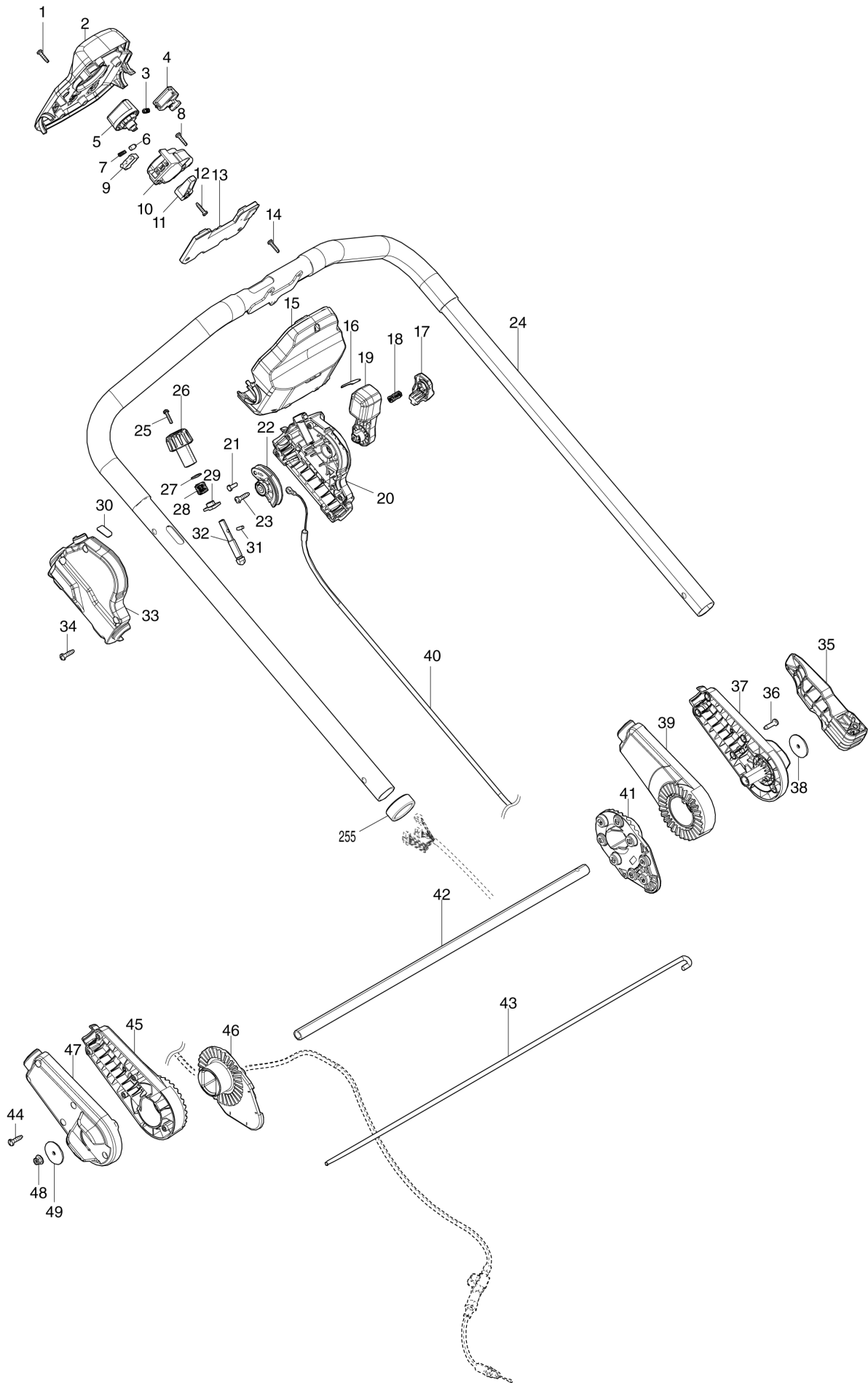
Diagram / Parts List

VS001G

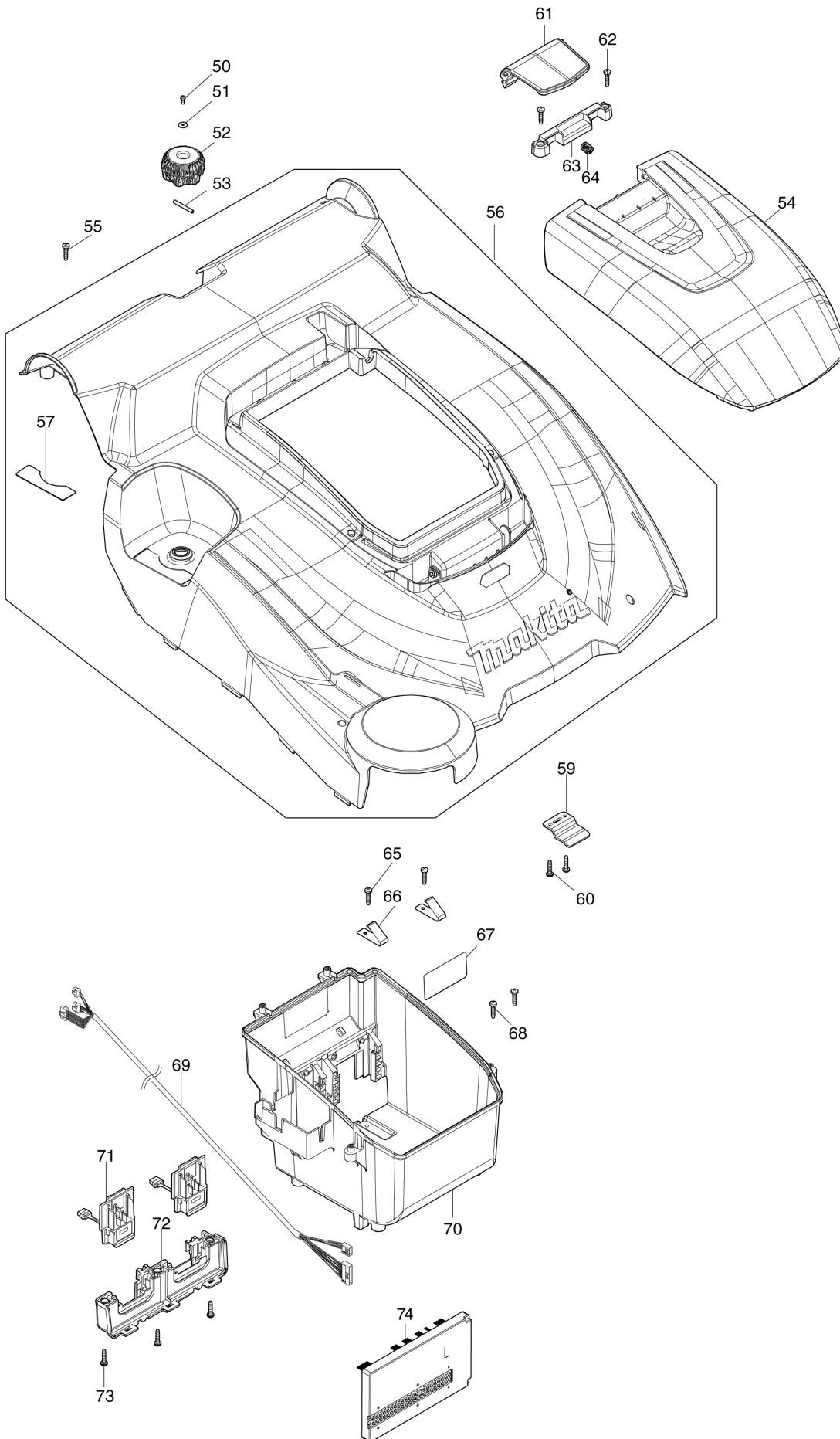
CORDLESS VACUUM SWEEPER



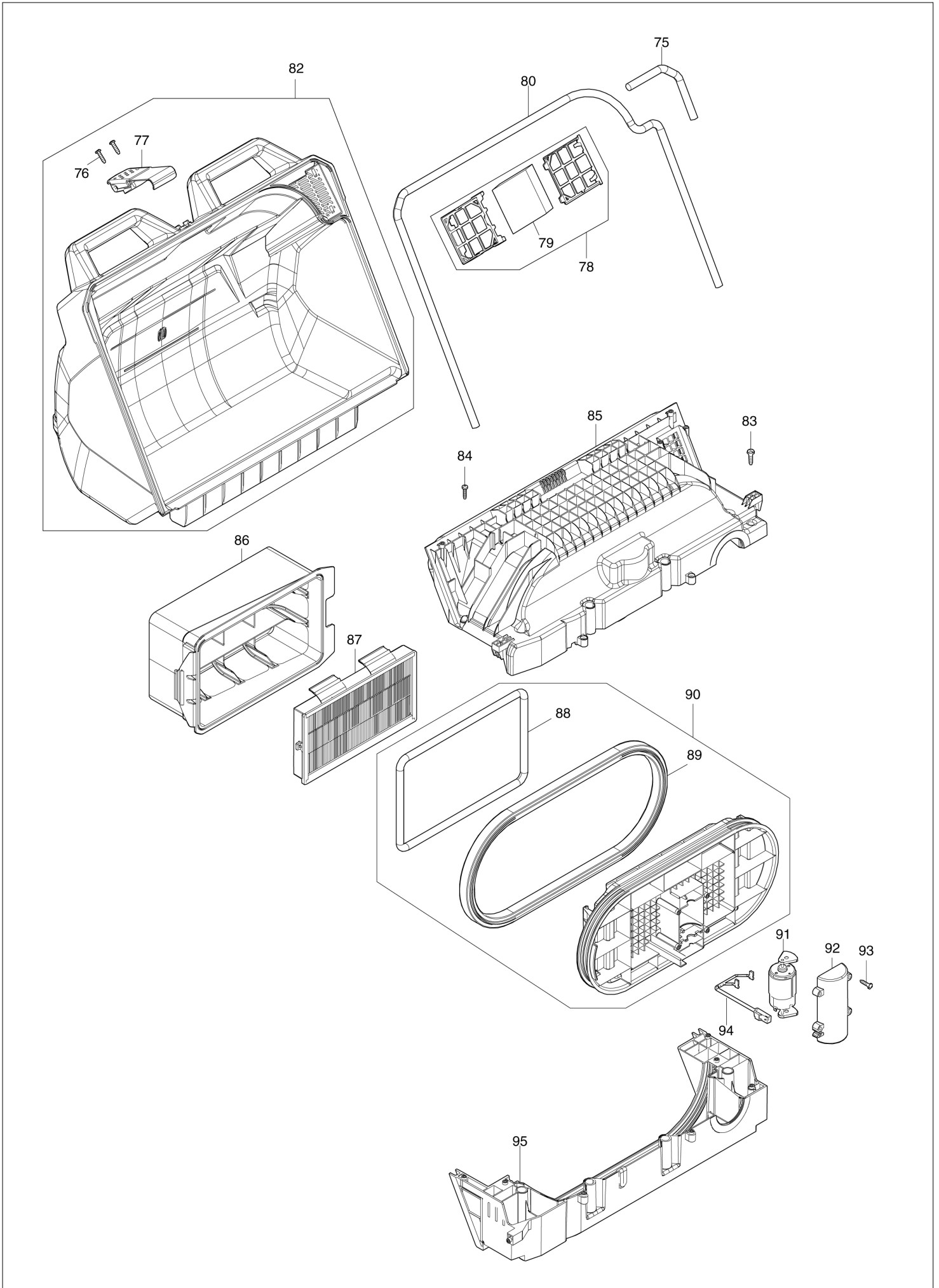
(TH) VS001G / CORDLESS VACUUM SWEEPER



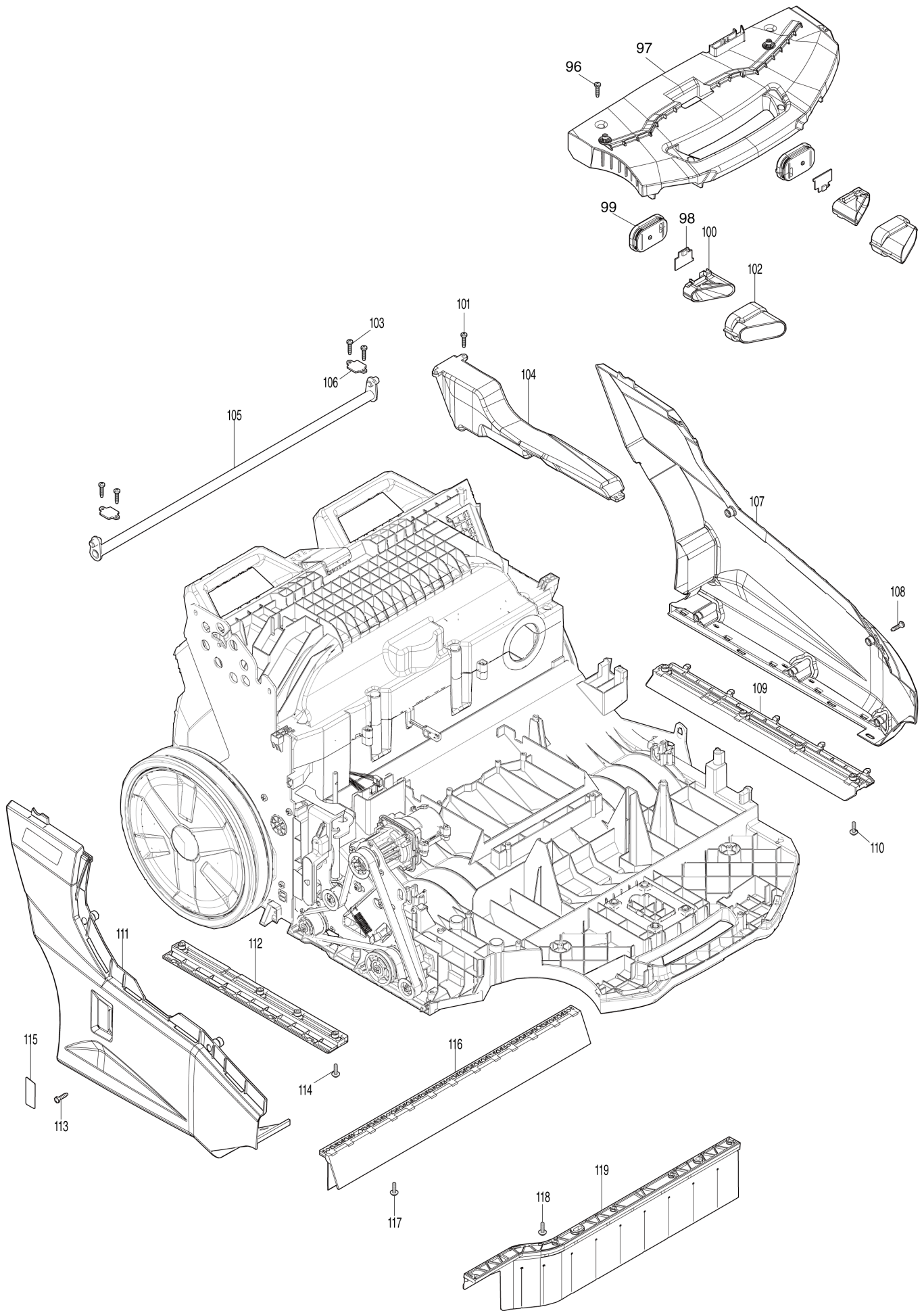
(TH) VS001G / CORDLESS VACUUM SWEEPER



(TH) VS001G / CORDLESS VACUUM SWEEPER



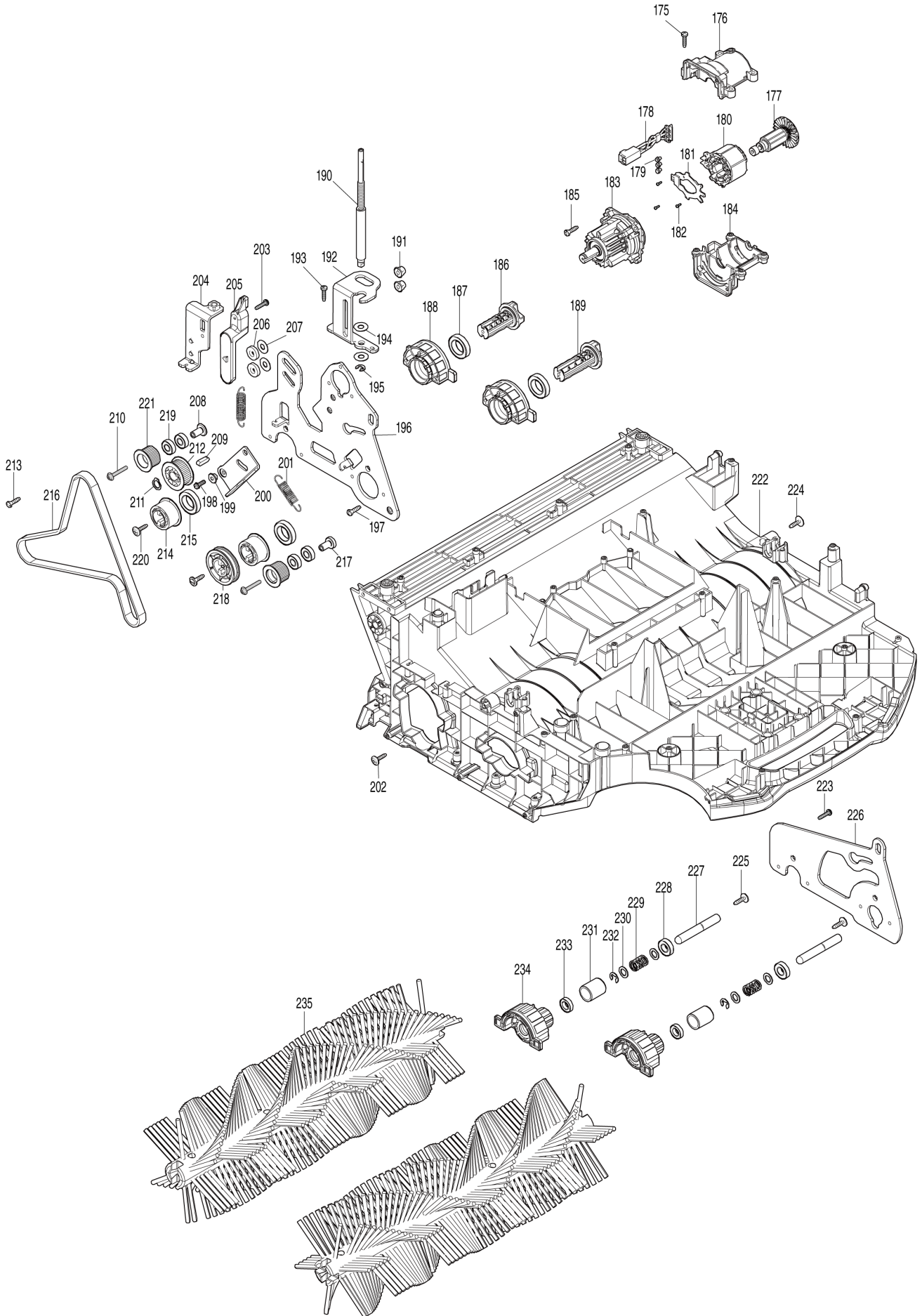
(TH) VS001G / CORDLESS VACUUM SWEEPER



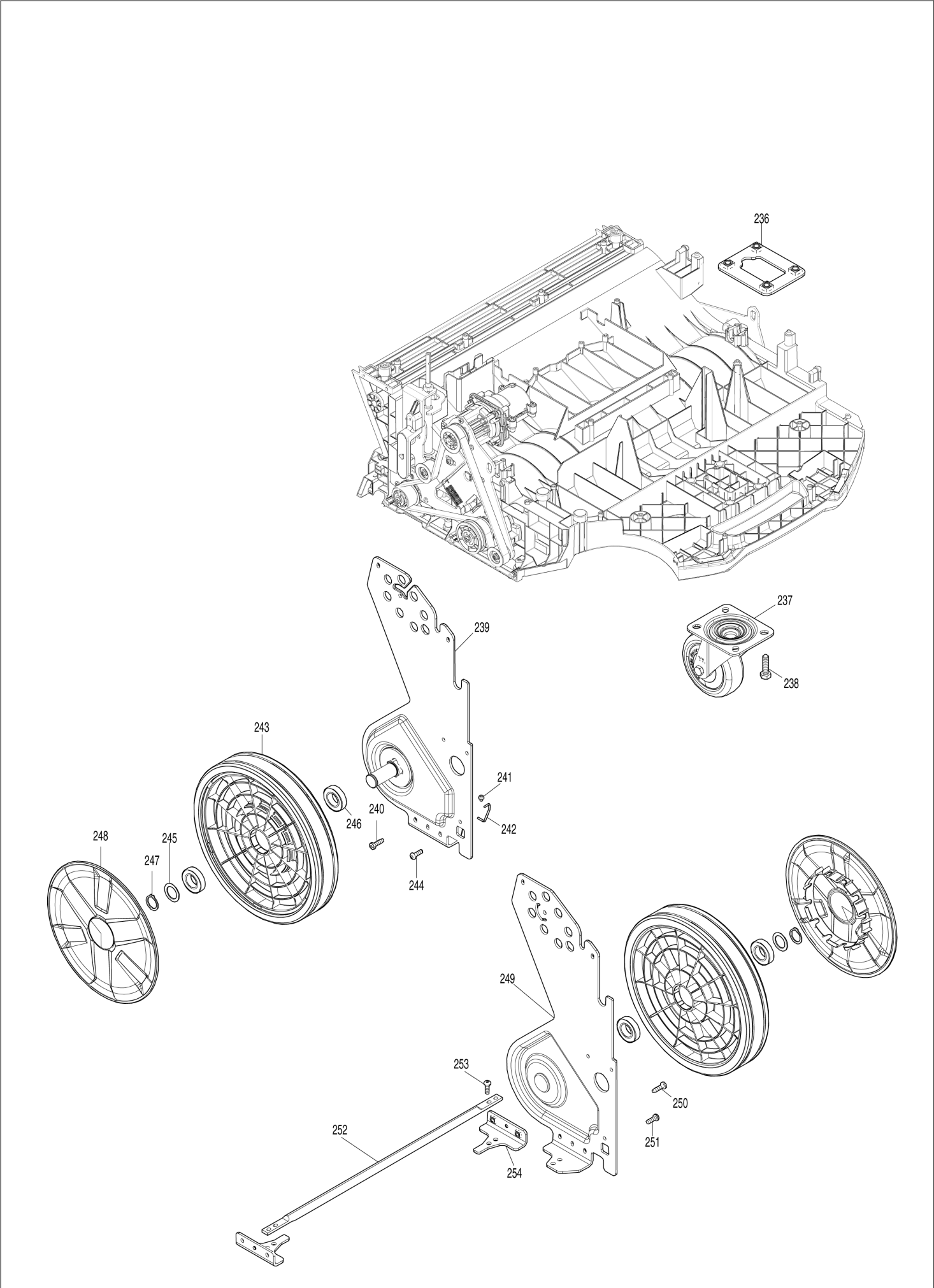
(TH) VS001G / CORDLESS VACUUM SWEEPER



(TH) VS001G / CORDLESS VACUUM SWEEPER



(TH) VS001G / CORDLESS VACUUM SWEEPER



TH	THAILAND
----	----------

VS001G / CORDLESS VACUUM SWEEPER

Item	Sub	Parts No.	Parts Description	Qty	I/C	E/C No.	Close No.	Remark
001		266429-2	TAPPING SCREW 3X16	5				
002		1830P2-4	SWITCH CASE SET	1				
	D10		INC. 15					
003		232386-6	COMPRESSION SPRING 4	1				
004		413U45-9	LOCK OFF BUTTON	1				
005		413U44-1	SWITCH DIAL	1				
006		347B85-0	PLUNGER CAP	1				
007		233188-3	COMPRESSION SPRING 2.4	1				
008		266429-2	TAPPING SCREW 3X16	2				
009		632V26-2	SWITCH UNIT	1				
010		413U43-3	SWITCH LEVER CASE	1				
011		413U46-7	SWITCH LEVER	1				
012		266429-2	TAPPING SCREW 3X16	1				
013		620J57-1	SWTCH CIRCUIT	1				
014		266429-2	TAPPING SCREW 3X16	3				
015		1830P2-4	SWITCH CASE SET	1				
	D10		INC. 2					
016		8074D9-3	OPERATIONAL INDICATION LABEL	1				
017		413U51-4	BUTTON	1				
018		234013-1	COMPRESSION SPRING 5	1				
019		413U50-6	SIDE BRUSH LEVER	1				
020		1830T9-8	LEVER CASE SET	1				
	D10		INC. 16,30,33					
021		256A47-0	FLAT FILLISTER HEAD PIN 4	1				
022		413U49-1	CABLE GUIDE	1				
023		265995-6	TAPPING SCREW 4X18	1				
024		327C57-7	HANDLE	1				
025		911028-2	PAN HEAD SCREW M3X16	1				
026		413U48-3	THUMB SCREW DIAL	1				
027		941151-9	FLAT WASHER 6	1				
028		232840-0	COMPRESSION SPRING 11	1				
029		252335-7	WELD NUT M8 TYPE T	1				
030		8074E1-6	OPERATIONAL INDICATION LABEL	1				
031		256255-7	PIN 3	1				
032		327C58-5	DIAL SHAFT M8	1				
033		1830T9-8	LEVER CASE SET	1				
	D10		INC. 16,20,30					
034		265995-6	TAPPING SCREW 4X18	5				
035		122F51-0	HANDLE LEVER ASSEMBLY	1				
036		265995-6	TAPPING SCREW 4X18	5				
037		1830G6-3	HANDLE CAM SET	1				
	D10		INC. 39					
038		267136-0	FLAT WASHER 5	1				
039		1830G6-3	HANDLE CAM SET	1				
	D10		INC. 37					
040		162C92-6	LINK CABLE B	1				
041		413U40-9	HANDLE CAM B	1				
042		327C59-3	HANDLE PIPE	1				
043		327C60-8	HANDLE LEVER LINK M5	1				
044		265995-6	TAPPING SCREW 4X18	5				
045		1830G6-3	HANDLE CAM SET	1				
	D10		INC. 47					
046		413U40-9	HANDLE CAM B	1				
047		1830G6-3	HANDLE CAM SET	1				
	D10		INC. 45					
048		252286-4	COLLARED HEX.LOCK NUT M5-8	1				
049		267136-0	FLAT WASHER 5	1				
050		911007-0	PAN HEAD SCREW M3X8	1				
051		253821-1	FLAT WASHER 3	1				
052		413U60-3	MAIN BRUSH DIAL	1				
053		268182-6	PIN 3	1				
054		413U57-2	BATTERY COVER	1				
055		265995-6	TAPPING SCREW 4X18	7				
056		137135-5	TOP COVER ASSEMBLY	1				
	C10	422756-9	SPONGE SEAL	1				

A:VS001GZ(N)

Interchange
O : Yes
X : No
< : the new part can be substituted for the current.
> : the current part can be substituted for the new.
S : Interchangeable as a set.

TH	THAILAND
----	----------

VS001G / CORDLESS VACUUM SWEEPER

Item	Sub	Parts No.	Parts Description	Qty	I/C	E/C No.	Close No.	Remark
	D10		INC. 57					
057		8074E3-2	OPERATIONAL INDICATION LABEL	1				
059		347B86-8	TOP COVER PLATE	1				
060		265995-6	TAPPING SCREW 4X18	2				
061		413U58-0	LATCH	1				
062		265995-6	TAPPING SCREW 4X18	2				
063		413U59-8	BATTERY HOOK BASE	1				
064		234391-9	COMPRESSION SPRING 8	1				
065		265995-6	TAPPING SCREW 4X18	2				
066		232818-3	LEAF SPRING	2				
067		8143U6-5	VS001G NAME PLATE	1				
068		265995-6	TAPPING SCREW 4X18	2				
069		699233-8	POWER SUPPLY CORD UNIT	1				
070		1830F8-2	BATTERY HOLDER SET	1				
	C10	263005-3	RUBBER PIN 6	4				
	D10		INC. 72					
071		632R99-1	TERMINAL UNIT	2				
072		1830F8-2	BATTERY HOLDER SET	1				
	C10	263005-3	RUBBER PIN 6	4				
	D10		INC. 70					
073		265995-6	TAPPING SCREW 4X18	3				
074		620N71-1	CONTROLLER	1				
075		422A72-5	SEAL B	1				
076		265995-6	TAPPING SCREW 4X18	2				
077		162C93-4	HOOK	1				
078		137060-0	SPONGE CASE ASSEMBLY	1				
	D10		INC. 79					
079		422B41-2	SPONGE SHEET	1				
080		422A71-7	SEAL A	1				
082		137059-5	DUST CONTAINER ASSEMBLY	1				
	D10		INC. 76,77					
083		266021-4	TAPPING SCREW 5X20	4				
084		265995-6	TAPPING SCREW 4X18	7				
085		413U13-2	DUCT UPPER	1				
086		162C89-5	PRE FILTER	1				
087		162699-0	MAIN FILTER H	1			Y09457	
087-1		191D12-9	MAIN FILTER H SET	1	O	Y09457		
088		422A68-6	SEAL RING B	1				
089		422A69-4	SEAL RING A	1				
090		137057-9	FILTER HOLDER ASSMBLY	1				
	D10		INC. 88,89					
091		141S68-2	MOTOR COMPLETE	1				
092		413U12-4	MOTOR COVER	1				
093		265995-6	TAPPING SCREW 4X18	4				
094		638A81-6	LEAD UNIT	1				
095		141S67-4	DUCT LOWER COMPLETE	1				
096		265995-6	TAPPING SCREW 4X18	5				
097		413U04-3	HANDLE COVER	1				
098		620J60-2	LED CIRCUIT	1				
099		422A66-0	RUBBER CAP	2				
100		413U05-1	REFLECTOR	2				
101		265995-6	TAPPING SCREW 4X18	4				
102		413U06-9	LENS	2				
103		265995-6	TAPPING SCREW 4X18	4				
104		162C91-8	TUBE COMPLETE	1				
105		327C55-1	BRUSH PLATE LINK	1				
106		346525-3	PLATE	2				
107		1830T8-0	SIDE COVER SET	1				
	D10		INC. 111,115					
108		265995-6	TAPPING SCREW 4X18	5				
109		413U02-7	SIDE LIP L	1				
110		911129-6	PAN HEAD SCREW M4X16	4				
111		1830T8-0	SIDE COVER SET	1				
	D10		INC. 107,115					
112		413U01-9	SIDE LIP R	1				

A:VS001GZ(N)

Interchange
O : Yes
X : No
< : the new part can be substituted for the current.
> : the current part can be substituted for the new.
S : Interchangeable as a set.

TH	THAILAND
----	----------

VS001G / CORDLESS VACUUM SWEEPER

Item	Sub	Parts No.	Parts Description	Qty	I/C	E/C No.	Close No.	Remark
113		265995-6	TAPPING SCREW 4X18	5				
114		911129-6	PAN HEAD SCREW M4X16	4				
115		8074E5-8	INDICATION LABEL	1				
116		413U03-5	REAR LIP	1				
117		911129-6	PAN HEAD SCREW M4X16	5				
118		911129-6	PAN HEAD SCREW M4X16	5				
119		413U00-1	FRONT LIP	1				
120		265995-6	TAPPING SCREW 4X18	9				
121		1830G2-1	SILENCER SET	1				
	D10		INC. 140					
122		422376-9	SUPPORT RING	1				
123		161804-6	FAN COVER	1				
124		252268-6	HEX. NUT M6	1				
125		322407-3	WASHER 6	1				
126		241851-4	FAN 94	1				
127		313062-2	FLANGE	1				
128		265995-6	TAPPING SCREW 4X18	3				
129		456736-3	FAN BASE	1				
130		619517-8	ROTOR	1				
131		629C31-4	STATOR	1				
132		620J58-9	CONTROLLER B	1				
133		266490-9	TAPPING SCREW PT 2X6	3				
134		652069-6	FLAT HEAD SCREW M3X6	3				
135		1830G7-1	MOTOR HOUSING SET	1				
	D10		INC. 136					
136		1830G7-1	MOTOR HOUSING SET	1				
	D10		INC. 135					
137		632V04-2	LEAD UNIT	1				
138		265995-6	TAPPING SCREW 4X18	4				
139		424837-5	SUPPORT A	1				
140		1830G2-1	SILENCER SET	1				
	D10		INC. 121					
141		265995-6	TAPPING SCREW 4X18	1				
142		265995-6	TAPPING SCREW 4X18	2				
143		347B83-4	CABLE PLATE	1				
144		422A89-8	CAP	1				
145		413U29-7	ROLLER COVER	1				
146		162C90-0	LINK CABLE A	1				
147		413U28-9	LINK CABLE ROLLER	1				
148		265995-6	TAPPING SCREW 4X18	3				
149		256186-0	PIN 5	1				
150		941202-8	FLAT WASHER 8	1				
151		961004-6	RETAINING RING (EXT) S-8	1				
152		413U26-3	ROLLER	1				
153		413U25-5	SIDE BRUSH HOLDER	1				
154		911137-7	PAN HEAD SCREW M4X20	2				
155		267491-0	FLAT WASHER 4	2				
156		347B84-2	PULLEY HOLDER	1				
157		257A22-9	SLEEVE 4	2				
158		265995-6	TAPPING SCREW 4X18	2				
159		222211-9	GUIDE PULLEY 6.2-19.7	2				
160		225110-4	ROUND BELT 6-860	1				
161		211293-6	BALL BEARING 6809LLB	1				
162		222210-1	ROUND PULLEY 6.2-149.6	1				
163		210229-2	BALL BEARING 6808LLB	1				
164		265620-9	TAPPING SCREW FLANGE 4X18	5				
165		256267-0	PIN 3	1				
166		327C56-9	SIDE BRUSH SHAFT	1				
167		232841-8	COMPRESSION SPRING 14	1				
168		941252-3	FLAT WASHER 10	1				
169		961013-5	STOP RING E-7	1				
170		210141-6	BALL BEARING 6000DDW	1				
171		413U27-1	BRUSH LOCK	1				
172		210141-6	BALL BEARING 6000DDW	1				
173		961013-5	STOP RING E-7	1				

A:VS001GZ(N)

Interchange
O : Yes
X : No
< : the new part can be substituted for the current.
> : the current part can be substituted for the new.
S : Interchangeable as a set.

TH	THAILAND
----	----------

VS001G / CORDLESS VACUUM SWEEPER

Item	Sub	Parts No.	Parts Description	Qty	I/C	E/C No.	Close No.	Remark
174		1830S6-7	SIDE BRUSH REPAIR SET	1				
175		265995-6	TAPPING SCREW 4X18	4				
176		1830G8-9	MOTOR CASE SET	1				
	D10		INC. 184					
177		619826-5	ROTOR	1				
178		632V03-4	LEAD UNIT	1				
179		652069-6	FLAT HEAD SCREW M3X6	3				
180		629C30-6	STATOR	1				
181		620J59-7	CONTROLLER B	1				
182		266490-9	TAPPING SCREW PT 2X6	3				
183		122F46-3	GEAR ASSEMBLY	1				
184		1830G8-9	MOTOR CASE SET	1				
	D10		INC. 176					
185		265995-6	TAPPING SCREW 4X18	4				
186		413U20-5	PULLEY SHAFT R	1				
187		211333-0	BALL BEARING 6804LLU	2				
188		413U19-0	BEARING HOLDER R	2				
189		413U22-1	PULLEY SHAFT F	1				
190		327C53-5	DIAL SHAFT	1				
191		252301-4	HEX. FLANGE LOCK NUT M6-10	2				
192		347B81-8	DIAL BASE	1				
193		265995-6	TAPPING SCREW 4X18	2				
194		253139-0	FLAT WASHER 8	2				
195		961012-7	STOP RING E-6	1				
196		347B78-7	BRUSH PLATE R	1				
197		265995-6	TAPPING SCREW 4X18	4				
198		911123-8	PAN HEAD SCREW M4X14	2				
199		257A19-8	COLLARED SLEEVE 4C	2				
200		347B79-5	TENSION PLATE	1				
201		232839-5	TENSION SPRING 9	2				
202		251599-0	TAPPING SCREW 4X18	1				
203		265995-6	TAPPING SCREW 4X18	1				
204		347B80-0	HEIGHT ADJUST PLATE	1				
205		413U23-9	HEIGHT INDICATOR	1				
206		262212-5	RUBBER RING 8	2				
207		253139-0	FLAT WASHER 8	2				
208		257A20-3	COLLARED SLEEVE 4B	1				
209		254220-0	KEY 5	1				
210		911159-7	PAN HEAD SCREW M4X30	2				
211		961052-5	RETAINING RING (EXT) S-12	1				
212		222206-2	PULLEY 14-33.6	1				
213		265995-6	TAPPING SCREW 4X18	3				
214		222208-8	PULLEY 17.5-33.6	2				
215		211333-0	BALL BEARING 6804LLU	2				
216		225109-9	SYNCHRO BELT 12-699	1			Y09425	
216-1		225109-9	SYNCHRO BELT 12-699	1	O	Y09425		
217		257A18-0	COLLARED SLEEVE 4A	1				
218		222209-6	ROUND PULLEY 6.2-45.7	1				
219		211166-3	BALL BEARING 698DDW	4				
220		265620-9	TAPPING SCREW FLANGE 4X18	2				
221		222207-0	PULLEY 17-26.0	2				
222		141V27-4	BODY COMPLETE	1				
	C10	8074F0-5	CAUTION LABEL	1				
223		265995-6	TAPPING SCREW 4X18	4				
224		251599-0	TAPPING SCREW 4X18	1				
225		265620-9	TAPPING SCREW FLANGE 4X18	2				
226		347B82-6	BRUSH PLATE L	1				
227		327C54-3	BRUSH SHAFT	2				
228		210069-8	BALL BEARING 6900DDW	2				
229		234245-0	COMPRESSION SPRING 12	2				
230		267047-9	FLAT WASHER 10	4				
231		257A21-1	SLEEVE 17	2				
232		961013-5	STOP RING E-7	2				
233		211485-7	BALL BEARING 6800LLU	2				
234		413U24-7	BEARING HOLDER L	2				

A:VS001GZ(N)

Interchange
O : Yes
X : No
< : the new part can be substituted for the current.
> : the current part can be substituted for the new.
S : Interchangeable as a set.

