



TH	THAILAND
----	----------

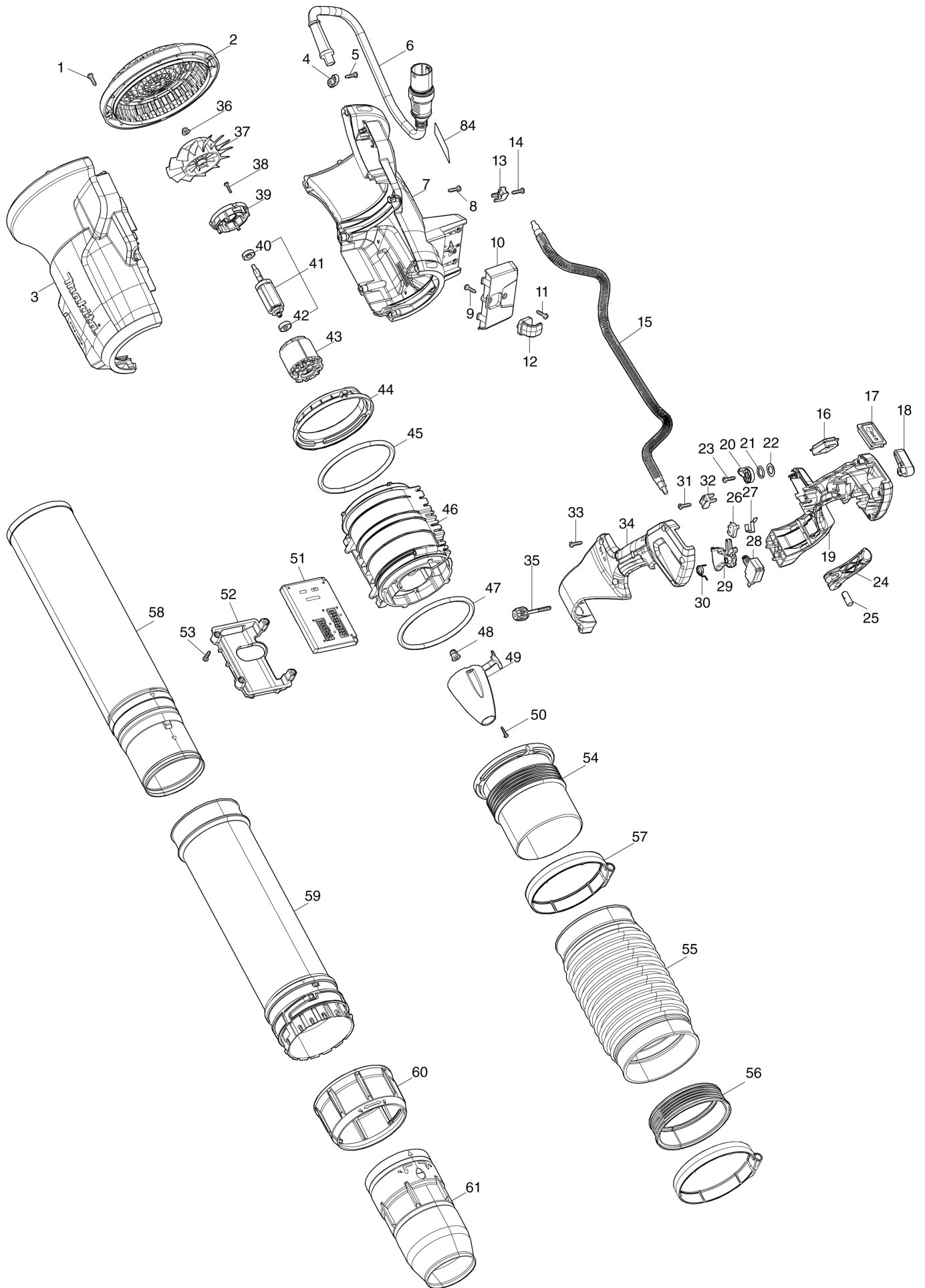
Diagram / Parts List

UB004C

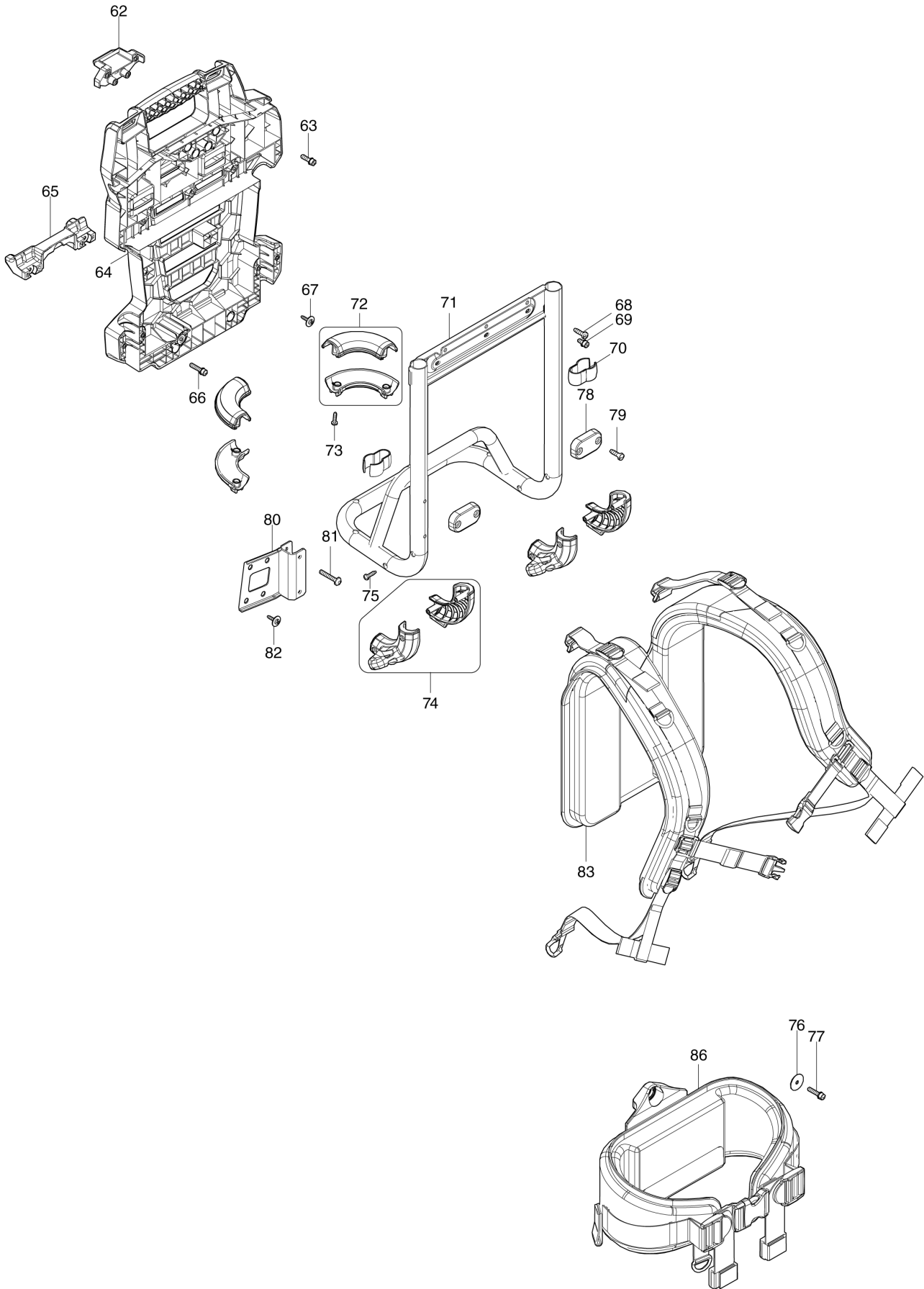
BATTERY POWERED BKPK BLOWER



(TH) UB004C / BATTERY POWERED BKPK BLOWER



(TH) UB004C / BATTERY POWERED BKPK BLOWER



TH	THAILAND
----	----------

UB004C / BATTERY POWERED BKPK BLOWER

Item	Sub	Parts No.	Parts Description	Qty	I/C	E/C No.	Close No.	Remark
001		266326-2	TAPPING SCREW 4X18	4				
002		413X98-6	REAR COVER	1				
003		1830S3-3	HOUSING SET	1				
	C10	8011Y4-4	CAUTION LABEL	1				
	D10		INC. 7					
004		687149-9	STRAIN RELIEF	1				
005		266326-2	TAPPING SCREW 4X18	2				
006		699239-6	POWER SUPPLY CORD UNIT	1				
007		1830S3-3	HOUSING SET	1				
	C10	8011Y4-4	CAUTION LABEL	1				
	D10		INC. 3					
008		266326-2	TAPPING SCREW 4X18	8				
009		266326-2	TAPPING SCREW 4X18	1				
010		413X89-7	FRAME COVER	1				
011		266326-2	TAPPING SCREW 4X18	1				
012		413Y30-6	CLAMP	1				
013		687260-7	STRAIN RELIEF	1				
014		266326-2	TAPPING SCREW 4X18	1				
015		699240-1	POWER SUPPLY CORD UNIT	1				
016		620N41-0	SWITCH CIRCUIT COMPLETE	1				
017		620N42-8	SWITCH CIRCUIT COMPLETE	1				
018		413G66-7	CONTROL LEVER	1				
019		1830J3-0	LEVER CASE SET	1				
	D10		INC. 34					
020		412754-1	LINK	1				
021		213154-6	O RING 14	1				
022		253798-0	FLAT WASHER 13	1				
023		266326-2	TAPPING SCREW 4X18	1				
024		413Y06-3	LEVER	1				
025		256A58-5	PIN 9	1				
026		632V43-2	SWITCH UNIT	1				
027		232634-3	LEAF SPRING	1				
028		650056-9	SWITCH C3JR-1AT-PAXD5	1				
029		413X92-8	SWITCH LEVER	1				
030		232853-1	TORSION SPRING 12	1				
031		266326-2	TAPPING SCREW 4X18	1				
032		687260-7	STRAIN RELIEF	1				
033		266326-2	TAPPING SCREW 4X18	6				
034		1830J3-0	LEVER CASE SET	1				
	D10		INC. 19					
035		413Y07-1	THUMB SCREW M5X45	1				
036		252286-4	COLLARED HEX.LOCK NUT M5-8	1				
037		240237-9	FAN 110	1				
038		266130-9	TAPPING SCREW BIND PT 3X16	4				
039		413X94-4	MOTOR HOUSING COVER	1				
040		211166-3	BALL BEARING 698DDW	1				
041		519847-6	ROTOR ASSEMBLY	1				
	D10		INC. 40,42					
042		210310-9	BALL BEARING 626DDW	1				
043		629C63-1	STATOR	1				
044		413X97-8	REAR RETAINER	1				
045		424721-4	RUBBER RING 115	1				
046		137129-0	MOTOR HOUSING ASSEMBLY	1				
	C10	263005-3	RUBBER PIN 6	2				
047		424721-4	RUBBER RING 115	1				
048		422879-3	GROMMET	1				
049		413X95-2	CAP	1				
050		266130-9	TAPPING SCREW BIND PT 3X16	3				
051		620N68-0	CONTROLLER	1				
052		413Y00-5	CONTROLLER CASE COVER	1				
053		266326-2	TAPPING SCREW 4X18	4				
054		413X96-0	FRONT PIPE	1				
055		413X99-4	FLEXIBLE PIPE 118	1				
056		413Y01-3	SWIVEL RING	1				
057		122G27-3	HOSE CLAMP 120 ASSEMBLY	2				

A:UB004CZ(N)

Interchange
 O : Yes
 X : No
 < : the new part can be substituted for the current.
 > : the current part can be substituted for the new.
 S : Interchangeable as a set.

