



TH	THAILAND
----	----------

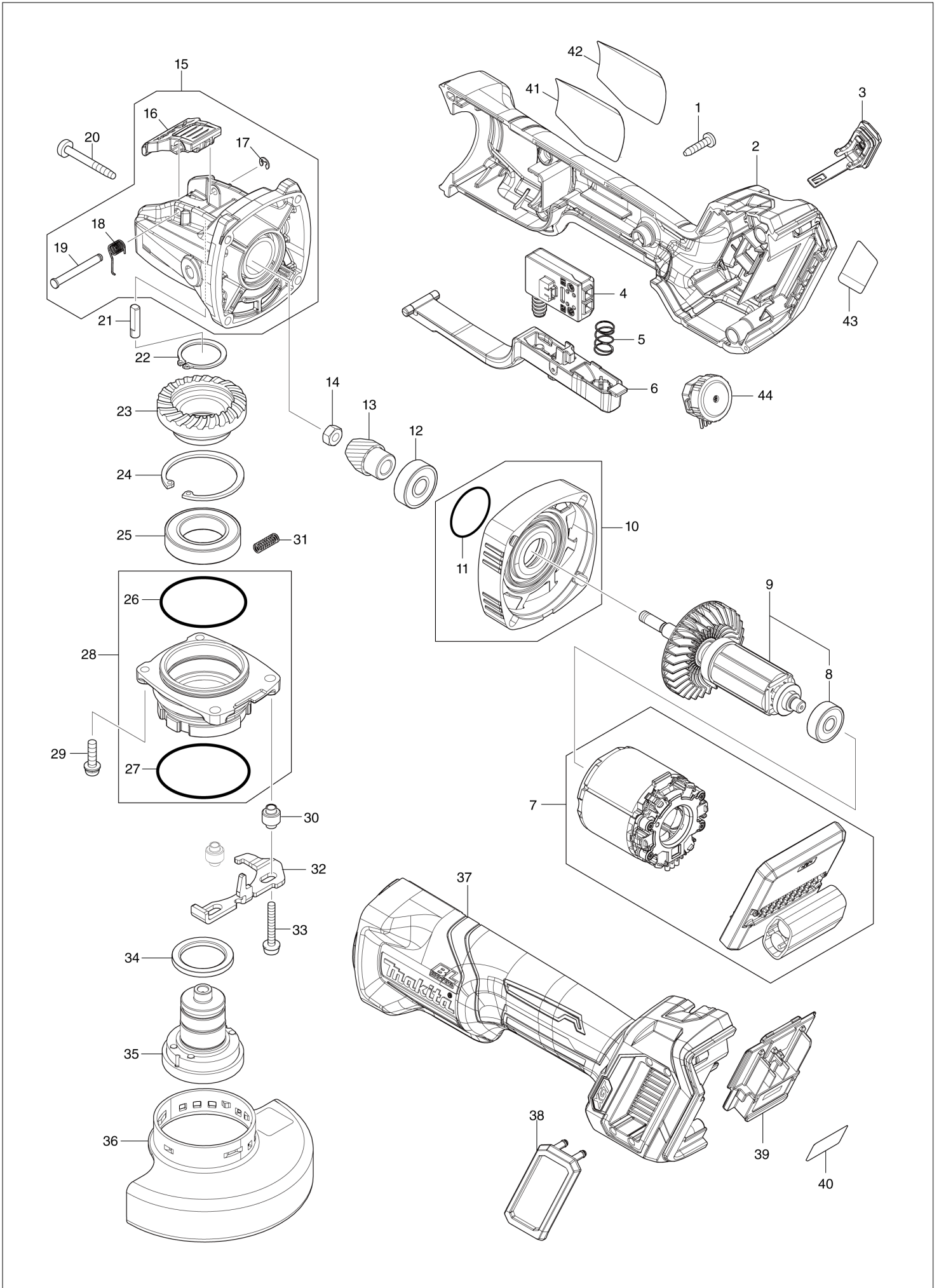
# Diagram / Parts List

**GA042G**

**100MM CORDLESS ANGLE GRINDER**



(TH) GA042G / 100MM CORDLESS ANGLE GRINDER



TH	THAILAND
----	----------

### GA042G / 100MM CORDLESS ANGLE GRINDER

Item	Sub	Parts No.	Parts Description	Qty	I/C	E/C No.	Close No.	Remark
001		266326-2	TAPPING SCREW 4X18	5				
002		183W45-2	MOTOR HOUSING SET	1				
	C10	263005-3	RUBBER PIN 6	2				
	C20	8005T5-8	XGT LOGO LABEL	1				
	D10		INC. 37					
003		140G30-2	CAP COMPLETE	1				
	C10	213A05-9	O-RING16	1				
	C20	818H48-4	CAP LABEL	1				
004		651083-9	SWITCH C3XA-1PSPM	1				
005		233263-5	COMPRESSION SPRING 9	1				
006		140T33-4	SWITCH LEVER COMPLETE	1				
007		629A00-3	STATOR COMPLETE	1				
008		210023-2	BALL BEARING 627DDW	1				
009		519762-4	ROTOR ASS'Y	1				
	D10		INC. 8					
010		136190-4	GEAR HOUSING COVER ASS'Y	1				
	D10		INC. 11					
011		213445-5	O-RING 26	1				
012		210042-8	BALL BEARING 629LLB	1				
013		226950-3	SPIRAL BEVEL GEAR 10	1				
014		252186-8	HEX. NUT M6	1				
015		136715-4	GEAR HOUSING ASS'Y	1				
	D10		INC. 16-19					
016		459967-3	LEVER	1				
017		961017-7	STOP RING E-3	1				
018		232576-1	TORSION SPRING 5	1				
019		256935-5	HEADED PIN 4	1				
020		266048-4	TAPPING SCREW 4X40	4				
021		327460-4	SHAFT	1				
022		961104-2	RETAINING RING S-24	1				
023		226951-1	SPIRAL BEVEL GEAR 37	1				
024		962201-7	RETAINING RING (INT) R-42	1				
025		210208-0	BALL BEARING 6905DDW	1				
026		213622-9	O RING 45	1				
027		213783-5	O-RING 48	1				
028		136716-2	BEARING BOX ASS'Y	1				
	D10		INC. 26,27					
029		911138-5	P.H.SCREW M4X20 WITH WR	2				
030		327322-6	SLEEVE 4	2				
031		232490-1	COMPRESSION SPRING 4	1				
032		347A22-8	LEVER	1				
033		911159-7	PAN HEAD SCREW M4X30	2				
034		327459-9	RING 25	1				
035		127428-8	SPINDLE ASSEMBLY	1				
036		141L25-8	WHEEL COVER 100 COMPLETE	1				
	C10	8050A1-8	CAUTION LABEL	1				
037		183W45-2	MOTOR HOUSING SET	1				
	C10	263005-3	RUBBER PIN 6	2				
	C20	8005T5-8	XGT LOGO LABEL	1				
	D10		INC. 2					
038		422610-7	DUST COVER	1				
039		632P65-6	TERMINAL UNIT	1				
040		858G20-8	GA042G SERIAL NO. LABEL	1				
041		858G08-8	GA042G NAME PLATE	1				
042		8008U5-3	CLEAR LABEL	1			DN056	
043		8015J1-9	INDICATION LABEL	1				
044		620D30-5	DIAL CIRCUIT	1				
A01		191V54-1	CUTTING W.C.A. 100 SET	1				
A02		158237-4	GRIP 36 COMPLETE	1				
A03		E-00496	GRINDING WHEEL INOX 100 X-LOCK	1				
F03		191G05-4	125MM DUST COLLECT COVER SET	1				
F04		191V54-1	CUTTING W.C.A. 100 SET	1				
F05		191V55-9	CUTTING W.C.A. 100 SET	1				
F06		194514-0	VIBRATION PROOF GRIP SET	1				

A:GA042GZ(N)

Interchange  
O : Yes  
X : No  
< : the new part can be substituted for the current.  
> : the current part can be substituted for the new.  
S : Interchangeable as a set.