



TH	THAILAND
----	----------

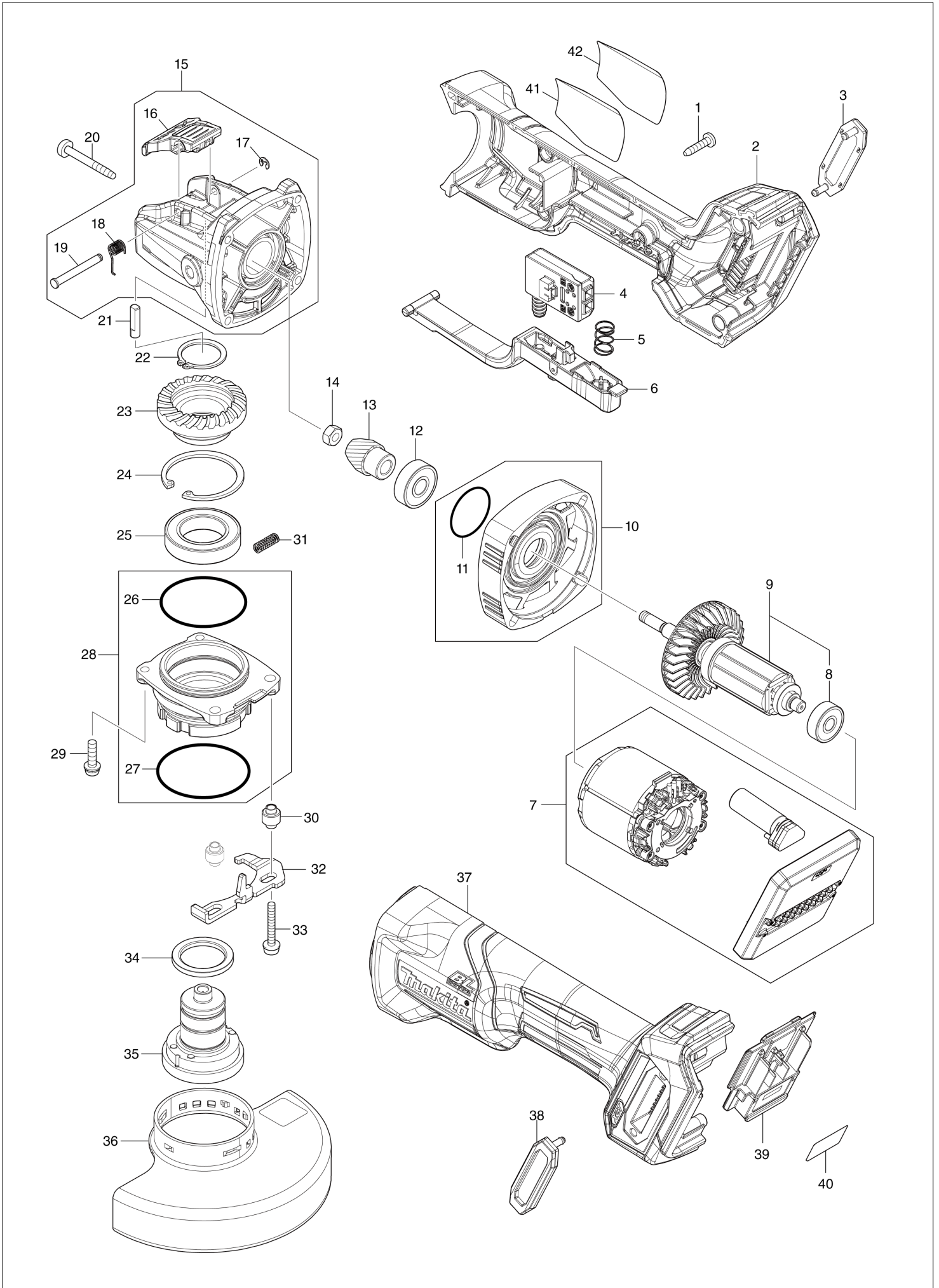
# Diagram / Parts List

**GA047G**

**125MM CORDLESS ANGLE GRINDER**



(TH) GA047G / 125MM CORDLESS ANGLE GRINDER



<b>TH</b>	<b>THAILAND</b>
-----------	-----------------

**GA047G / 125MM CORDLESS ANGLE GRINDER**

Item	Sub	Parts No.	Parts Description	Qty	I/C	E/C No.	Close No.	Remark
001		266326-2	TAPPING SCREW 4X18	5				
002		183W43-6	MOTOR HOUSING SET	1				
	C10	263005-3	RUBBER PIN 6	2				
	C20	8007R2-2	XGT LOGO LABEL	1				
	D10		INC. 37					
003		422563-0	DUST COVER	1				
004		651083-9	SWITCH C3XA-1PSPM	1				
005		233263-5	COMPRESSION SPRING 9	1				
006		140T33-4	SWITCH LEVER COMPLETE	1				
007		629480-7	STATOR COMPLETE	1				
008		210023-2	BALL BEARING 627DDW	1				
009		519762-4	ROTOR ASS'Y	1				
	D10		INC. 8					
010		136190-4	GEAR HOUSING COVER ASS'Y	1				
	D10		INC. 11					
011		213445-5	O-RING 26	1				
012		210042-8	BALL BEARING 629LLB	1				
013		226950-3	SPIRAL BEVEL GEAR 10	1				
014		252186-8	HEX. NUT M6	1				
015		136715-4	GEAR HOUSING ASS'Y	1				
	D10		INC. 16-19					
016		459967-3	LEVER	1				
017		961017-7	STOP RING E-3	1				
018		232576-1	TORSION SPRING 5	1				
019		256935-5	HEADED PIN 4	1				
020		266048-4	TAPPING SCREW 4X40	4				
021		327460-4	SHAFT	1				
022		961104-2	RETAINING RING S-24	1				
023		226951-1	SPIRAL BEVEL GEAR 37	1				
024		962201-7	RETAINING RING (INT) R-42	1				
025		210208-0	BALL BEARING 6905DDW	1				
026		213622-9	O RING 45	1				
027		213783-5	O-RING 48	1				
028		136716-2	BEARING BOX ASS'Y	1				
	D10		INC. 26,27					
029		911138-5	P.H.SCREW M4X20 WITH WR	2				
030		327322-6	SLEEVE 4	2				
031		232490-1	COMPRESSION SPRING 4	1				
032		347A22-8	LEVER	1				
033		911159-7	PAN HEAD SCREW M4X30	2				
034		327459-9	RING 25	1				
035		127428-8	SPINDLE ASSEMBLY	1				
036		141L27-4	WHEEL COVER 125 COMPLETE	1				
	C10	8050A1-8	CAUTION LABEL	1				
037		183W43-6	MOTOR HOUSING SET	1				
	C10	263005-3	RUBBER PIN 6	2				
	C20	8007R2-2	XGT LOGO LABEL	1				
	D10		INC. 2					
038		422563-0	DUST COVER	1				
039		632P65-6	TERMINAL UNIT	1				
040		858G79-5	GA047G SERIAL NO. LABEL	1				
041		858G74-5	GA047G NAME PLATE	1				
042		8008U5-3	CLEAR LABEL	1			DN056	
A01		199710-5	CUTTING W.C.A. 125 SET	1				
A02		158237-4	GRIP 36 COMPLETE	1				
A03		E-00402	GRINDING WHEEL INOX 125 X-LOCK	1				
F06		191G05-4	125MM DUST COLLECT COVER SET	1				
F07		194514-0	VIBRATION PROOF GRIP SET	1				

A:GA047GZ(N)	Interchange O : Yes X : No < : the new part can be substituted for the current. > : the current part can be substituted for the new. S : Interchangeable as a set.
--------------	---