



TH	THAILAND
----	----------

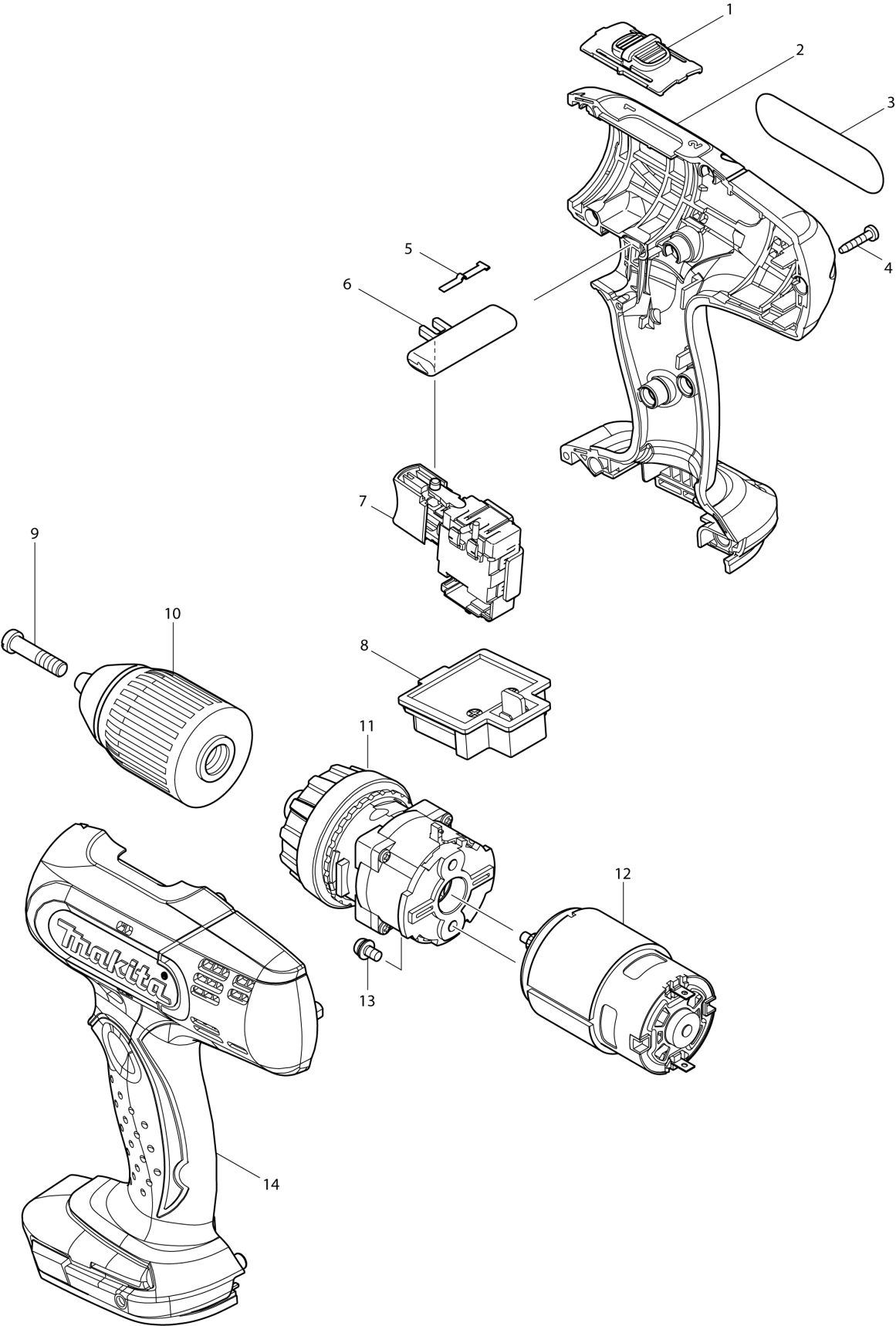
Diagram / Parts List

DDF453

CORDLESS DRIVER DRILL 13MM



(TH) DDF453 / CORDLESS DRIVER DRILL 13MM



TH	THAILAND
-----------	-----------------

DDF453 / CORDLESS DRIVER DRILL 13MM

Item	Sub	Parts No.	Parts Description	Qty	I/C	E/C No.	Close No.	Remark
001		125310-5	SPEED CHANGE LEVER ASS'Y	1				
	C10	231433-0	COMPRESSION SPRING 4	2				
002		187363-2	HOUSING SET	1				
	D10		INC. 14					
003		815G82-9	DDF453 NAME PLATE	1				
004		266130-9	TAPPING SCREW BIND PT 3X16	9				
005		232182-2	LEAF SPRING	1				
006		419250-0	F/R CHANGE LEVER	1				
007		632A24-0	SWITCH UNIT	1				
008		643852-2	TERMINAL	1				
009		251468-5	- FLAT HEAD SCREW M6X22	1				
010		766004-9	KEYLESS DRILL CHUCK 13	1				
011C		125483-4	GEAR ASS'Y	1			A7840	
011D		125483-4	GEAR ASS'Y	1			A7840	
011E		125483-4	GEAR ASS'Y	1			A7840	
011-1C		125483-4	GEAR ASS'Y	1	O	A7840		
011-1D		125483-4	GEAR ASS'Y	1	O	A7840		
011-1E		125483-4	GEAR ASS'Y	1	O	A7840		
011-1G		125483-4	GEAR ASS'Y	1				
011-1H		125483-4	GEAR ASS'Y	1				
011-1I		125483-4	GEAR ASS'Y	1				
012		629834-8	DC MOTOR	1				
013		911108-4	PAN HEAD SCREW M4X8	2				
014		187363-2	HOUSING SET	1				
	D10		INC. 2					
A01		784636-0	+ - BIT 2-65	1				
A02C		***DC18RC	DC18RC FAST CHARGER	1				
A02D		***DC18SD	DC18SD BATTERY CHARGER	1				
A02E		***DC18SD	DC18SD BATTERY CHARGER	1			DF610	
A02H		***DC18SD	DC18SD BATTERY CHARGER	1			DF610	
	D10		COMPO-PARTS				DF610	
A02I		***DC18SD	DC18SD BATTERY CHARGER	1			DF610	
A02-1E		***DC18SD	DC18SD BATTERY CHARGER	1	O	DF610		
A02-1H		***DC18SD	DC18SD BATTERY CHARGER	1	O	DF610		
	D10		COMPO-PARTS				DF610	
A02-1I		***DC18SD	DC18SD BATTERY CHARGER	1	O	DF610		
A03C		196015-4	BATTERY BL1830 SET	2			A5588	
A03D		196013-8	BATTERY BL1815 SET	2				
A03E		196448-3	BATTERY BL1815N SET	2			C1574	
A03H		199283-8	BATTERY BL1830B SET	1			D0159	
A03I		199283-8	BATTERY BL1830B SET	2			D0159	
A03-1C		196015-4	BATTERY BL1830 SET	2	O	A5588	B2535	
A03-1E		196235-0	BATTERY BL1815N SET	2	O	C1574	C2803	
A03-1H		199283-8	BATTERY BL1830B SET	1	<	D0159		
A03-1I		199283-8	BATTERY BL1830B SET	2	<	D0159		
A03-2C		197600-6	BATTERY BL1830B SET	2	<	B2535	C2803	
A03-2E		199284-6	BATTERY BL1815N SET	2	<	C2803	D0158	
A03-3C		199283-8	BATTERY BL1830B SET	2	<	C2803	D0159	
A03-3E		199284-6	BATTERY BL1815N SET	2	<	D0158		
A03-4C		199283-8	BATTERY BL1830B SET	2	<	D0159		
A04C		450128-8	BATTERY COVER	1				
A04D		450128-8	BATTERY COVER	1				
A04E		450128-8	BATTERY COVER	1				
A04I		450128-8	BATTERY COVER	1				
A05C		158777-2	PLASTIC CARRYING CASE	1				
	C10	163455-1	LATCH	2				
	C20	419360-3	HANDLE	1				
A05D		158777-2	PLASTIC CARRYING CASE	1				
	C10	163455-1	LATCH	2				
	C20	419360-3	HANDLE	1				
A05E		158777-2	PLASTIC CARRYING CASE	1				
	C10	163455-1	LATCH	2				
	C20	419360-3	HANDLE	1				
A05H		821550-0	CONNECTOR PLASTIC CASE (TYPE2)	1				
	C10	453974-8	LATCH	4				

C:DDF453RFE(H)
D:DDF453SHE(H)
E:DDF453SYE(H)
G:DDF453Z(N)
H:DDF453SF1J(H)
I:DDF453FX13(H)

Interchange
O : Yes
X : No
< : the new part can be substituted for the current.
> : the current part can be substituted for the new.
S : Interchangeable as a set.

