



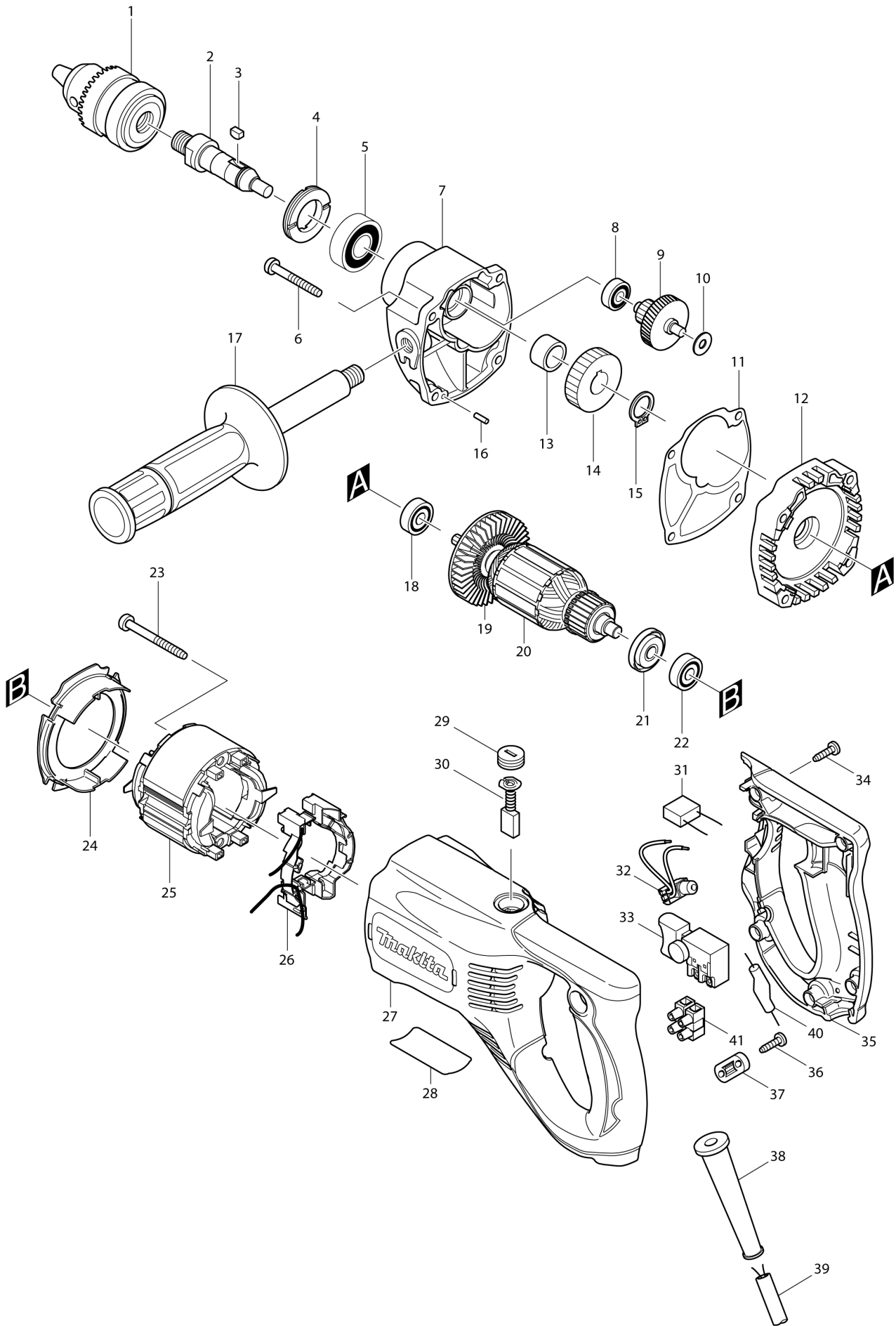
TH	THAILAND
----	----------

Diagram / Parts List

6305

DRILL 13MM





TH THAILAND

6305 / DRILL 13MM

Item	Sub	Parts No.	Parts Description	Qty	I/C	E/C No.	Close No.	Remark
001		192877-8	DRILL CHUCK S13	1				
002		324259-8	SPINDLE	1				
003		254011-9	WOODRUFF KEY 4	1				
004		285807-7	BEARING RETAINER 22-36	1				
005		211206-7	BALL BEARING 6202LLB	1				
006		266211-9	TAPPING SCREW 5X40	4				
007		317551-9	GEAR HOUSING	1				
008		211021-9	BALL BEARING 607LLB	1				
009		226153-9	GEAR COMPLETE 12-41	1				
010		253804-1	FLAT WASHER 6	1				
011-1		419528-1	GASKET	1				
012		153386-2	GEAR HOUSING COVER COMPLETE	1				
013		257719-4	SLEEVE 15	1				
014		226559-1	HELICAL GEAR 34	1				
015		961055-9	RETAINING RING S-15	1				
016		256180-2	PIN 3	1				
017		151965-0	GRIP 36 COMPLETE	1				
018		211031-6	BALL BEARING 608LLB	1				
019		241850-6	FAN 60	1				
020		513663-8	ARMATURE ASS'Y 220V	1				
	D10		INC. 18,19,21,22					
021		681644-1	INSULATION WASHER	1				
022		211031-6	BALL BEARING 608LLB	1				
023		266046-8	TAPPING SCREW 5X50	2				
024		419417-0	BAFFLE PLATE	1				
025		634548-6	FIELD 220V	1				
026		638439-3	SUPPORT COMPLETE	1				
027		154874-2	MOTOR HOUSING COMPLETE	1				
	C10		BRUSH HOLDER 5-11	2				
028		862255-3	6305 NAME PLATE	1				
029		643750-0	BRUSH HOLDER CAP 7-11	2			B4206	
029-1		643515-0	HOLDER CAP 7-11	2	O	B4206	DT602	
029-2		643750-0	BRUSH HOLDER CAP 7-11	2	O	DT602		
030		A-81664	CARBON BRUSH CB-303A	1			83185	
030-1		B-80151	CARBON BRUSH SET CB-303A	1	O	83185	85070	
030-2		B-80379	CARBON BRUSH SET CB-303A	1	<	85070		
032		631706-5	PILOT LAMP	1				
033		650203-2	SWITCH SGEL115CD-1	1				
034		265995-6	TAPPING SCREW 4X18	5				
035		419416-2	HANDLE COVER	1				
036		265995-6	TAPPING SCREW 4X18	2				
037		687053-2	STRAIN RELIEF	1			DU529	
037-1		687052-4	STRAIN RELIEF	1	S	DU529		
038		682566-8	CORD GUARD 10	1			DU529	
038-1		682559-5	CORD GUARD 8	1	S	DU529		
039		691015-4	POWER SUPPLY CORD 0.75-2-2.5	1			DU529	
039-1		660503-2	POWER SUPPLY CORD 0.75-2-2.5	1	S	DU529		
A01		122645-5	DEPTH GAUGE ASS'Y	1				
	C10		ROD 8	1				
	C20		CAP 20	1				
	C30		STOPPER HOLDER	1				
A02		763432-9	CHUCK KEY S13	1				
A03		410102-8	KEY HOLDER	1				
A04		A-81664	CARBON BRUSH CB-303A	2			83185	
A04-1		B-80151	CARBON BRUSH SET CB-303A	2	O	83185	85070	
A04-2		B-80379	CARBON BRUSH SET CB-303A	2	<	85070	87444	

A:6305(H)

Interchange
O : Yes
X : No
< : the new part can be substituted for the current.
> : the current part can be substituted for the new.
S : Interchangeable as a set.