



TH	THAILAND
----	----------

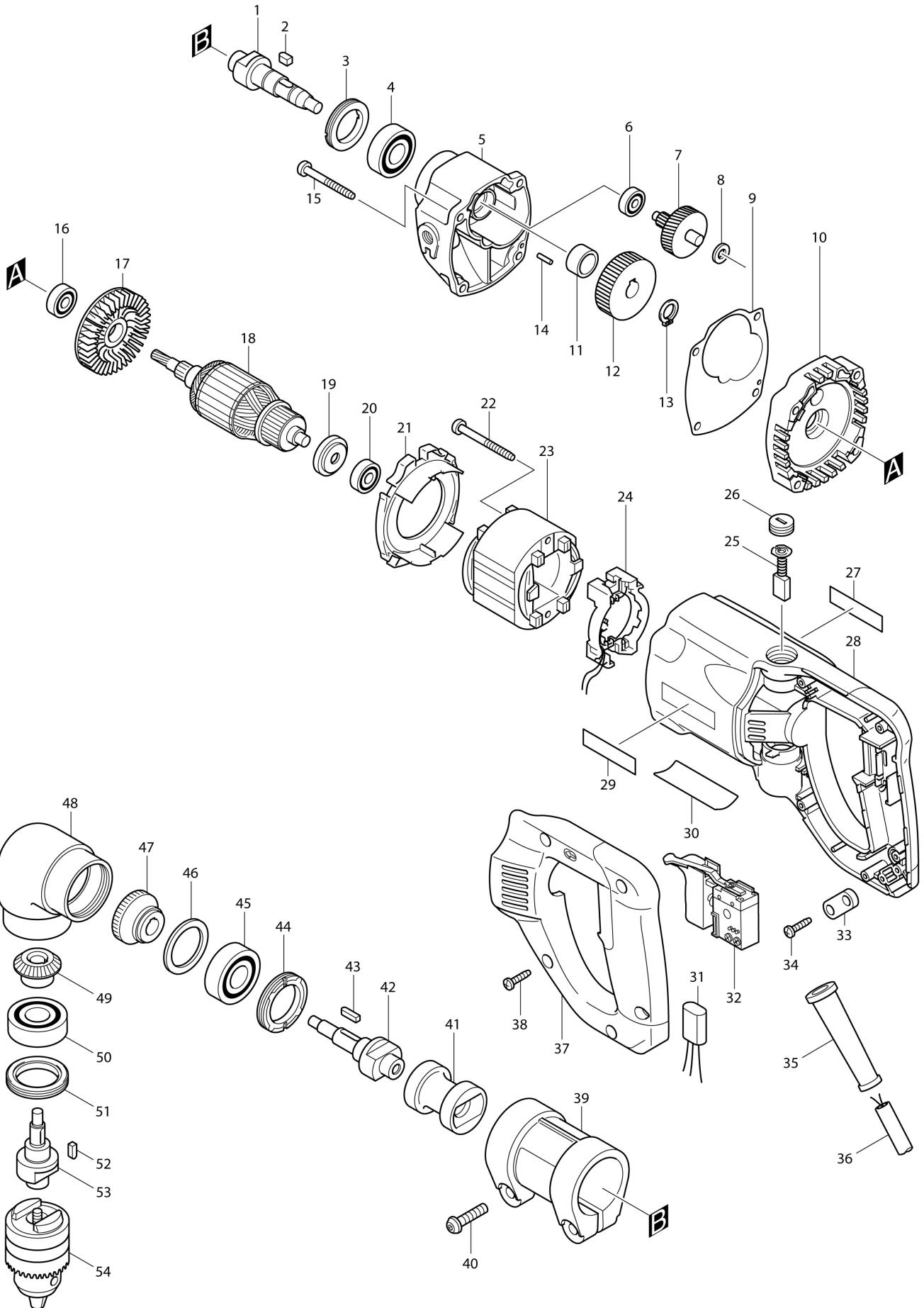
Diagram / Parts List

DA4000LR

ANGLE DRILL 13MM



(TH) DA4000LR / ANGLE DRILL 13MM



TH	THAILAND
----	----------

DA4000LR / ANGLE DRILL 13MM

Item	Sub	Parts No.	Parts Description	Qty	I/C	E/C No.	Close No.	Remark
001		324171-2	SPINDLE	1				
002		254211-1	KEY 5	1				
003		285808-5	BEARING RETAINER 25-36	1				
004		211206-7	BALL BEARING 6202LLB	1				
005		317482-2	GEAR HOUSING	1				
006		211016-2	BALL BEARING 626LLB	1				
007		226144-0	GEAR COMPLETE 7-41	1				
008		253133-2	FLAT WASHER 7	1				
009		417650-8	GASKET	1				
010		152889-3	GEAR HOUSING COVER COMPLETE	1				
	C10	212004-2	NEEDLE BEARING 810	1				
	C20	212041-6	NEEDLE BEARING 709	1				
011		313105-0	SLEEVE 15	1				
012		226544-4	HELICAL GEAR 41	1				
013		961055-9	RETAINING RING S-15	1				
014		256157-7	PIN 3	1				
015		266056-5	TAPPING SCREW 5X45	4				
016		211031-6	BALL BEARING 608LLB	1				
017		241850-6	FAN 60	1				
018		516483-9	ARMATURE ASS'Y 220-240V	1				
	D10		INC. 16,17,19,20					
019		681651-4	INSULATION WASHER	1				
020		211031-6	BALL BEARING 608LLB	1				
021		417649-3	BAFFLE PLATE	1				
022		266046-8	TAPPING SCREW 5X50	2				
023		634443-0	FIELD 220-240V	1				
024		638081-0	SUPPORT COMPLETE	1				
025		A-81664	CARBON BRUSH CB-303A	1			83185	
025-1		B-80151	CARBON BRUSH SET CB-303A	1	O	83185	85070	
025-2		B-80379	CARBON BRUSH SET CB-303A	1	<	85070		
026		643750-0	BRUSH HOLDER CAP 7-11	2			B4206	
026-1		643515-0	HOLDER CAP 7-11	2	O	B4206	DT602	
026-2		643750-0	BRUSH HOLDER CAP 7-11	2	O	DT602		
027		819063-3	MAKITA LABEL	1				
028		183395-7	MOTOR HOUSING	1				
	C10	643708-9	BRUSH HOLDER 5-11	2				
	D10		INC. 27,29					
029		819063-3	MAKITA LABEL	1				
030		853151-6	NAME PLATE DA4000LR	1				
032		650510-3	SWITCH TG813TLA-1	1				
033		687053-2	STRAIN RELIEF	1			DU529	
033-1		687052-4	STRAIN RELIEF	1	S	DU529		
034		265995-6	TAPPING SCREW 4X18	2				
035		682568-4	CORD GUARD 10	1			65812	
035-1		682573-1	CORD GUARD 10	1	<	65812	DU529	
035-2		682572-3	CORD GUARD 8	1	S	DU529		
036		691015-4	POWER SUPPLY CORD 0.75-2-2.5	1			DU529	
036-1		660503-2	POWER SUPPLY CORD 0.75-2-2.5	1	S	DU529		
037		417648-5	HANDLE COVER	1				
038		265995-6	TAPPING SCREW 4X18	5				
039		152932-8	JOINT COMPLETE	1				
040		266281-8	HEX.SOCKET BUTTON BOLT M8X35	2				
041		324154-2	SOCKET	1				
042		324170-4	GEAR SHAFT L	1				
043		254226-8	KEY 4	1				
044		285838-6	BEARING RETAINER 29-42	1				
045		211278-2	BALL BEARING 6203DDW	1				
046		253854-6	FLAT WASHER 30	1				
047		227411-6	ZEROL BEVEL GEAR 19	1				
048		152890-8	ANGLE HOUSING COMPLETE	1				
049		227412-4	ZEROL BEVEL GEAR 13	1				
050		211278-2	BALL BEARING 6203DDW	1				
051		285838-6	BEARING RETAINER 29-42	1				
052		254219-5	KEY 4	1				
053		324169-9	GEAR SHAFT H	1				

A:DA4000LR(H)

Interchange
O : Yes
X : No
< : the new part can be substituted for the current.
> : the current part can be substituted for the new.
S : Interchangeable as a set.

