



TH	THAILAND
----	----------

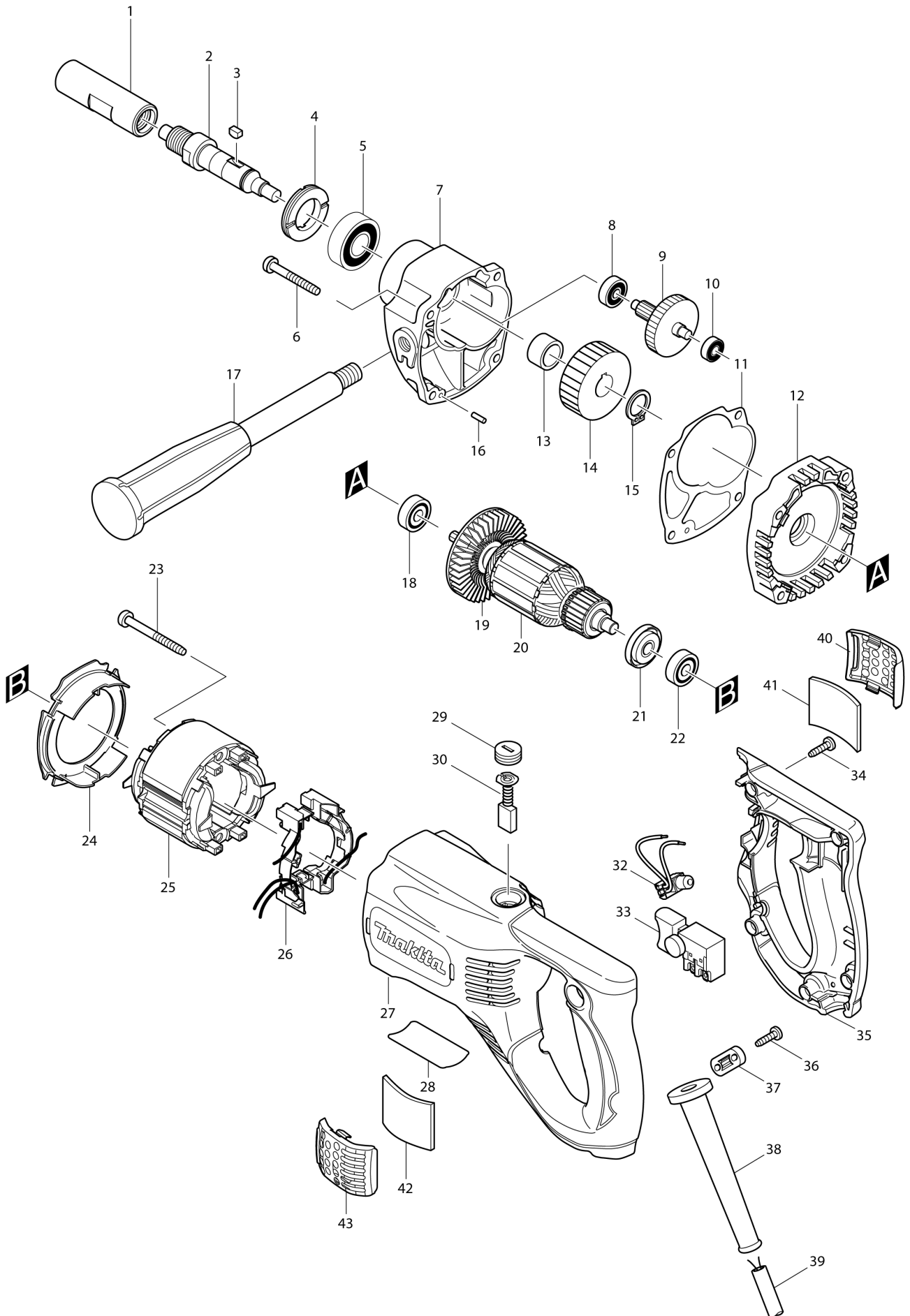
# Diagram / Parts List

**UT2204**

**MIXER**



(TH) UT2204 / MIXER



TH	THAILAND
----	----------

### UT2204 / MIXER

Item	Sub	Parts No.	Parts Description	Qty	I/C	E/C No.	Close No.	Remark
001		324265-3	SHAFT HOLDER 5/8-M12	1			D5930	
001-1		324265-3	SHAFT HOLDER 5/8-M12	1	<	D5930		
002		324273-4	SPINDLE	1				
003		254011-9	WOODRUFF KEY 4	1				
004		285807-7	BEARING RETAINER 22-36	1				
005		211206-7	BALL BEARING 6202LLB	1				
006		266211-9	TAPPING SCREW 5X40	4				
007		317598-3	GEAR HOUSING	1				
008		211016-2	BALL BEARING 626LLB	1				
009		226826-4	GEAR COMPLETE 7-46	1				
010		210006-2	BALL BEARING 696ZZ	1				
011		419529-9	GASKET	1			80460	
011-1		419529-9	GASKET	1	O	80460		
012		153414-3	GEAR HOUSING COVER COMPLETE	1				
013		257719-4	SLEEVE 15	1				
014		226561-4	HELICAL GEAR 43	1				
015		961055-9	RETAINING RING S-15	1				
016		256180-2	PIN 3	1				
017		152892-4	GRIP COMPLETE	1				
018		211031-6	BALL BEARING 608LLB	1				
019		241850-6	FAN 60	1				
020		513653-1	ARMATURE ASS'Y 220V	1				
	D10		INC. 18,19,21,22					
021		681644-1	INSULATION WASHER	1				
022		211031-6	BALL BEARING 608LLB	1				
023		266046-8	TAPPING SCREW 5X50	2				
024		419417-0	BAFFLE PLATE	1				
025		634553-3	FIELD 220V	1				
026		638439-3	SUPPORT COMPLETE	1				
027		154874-2	MOTOR HOUSING COMPLETE	1				
	C10	643708-9	BRUSH HOLDER 5-11	2				
028		862264-2	UT2204 NAME PLATE	1				
029		643750-0	BRUSH HOLDER CAP 7-11	2			B4206	
029-1		643515-0	HOLDER CAP 7-11	2	O	B4206	DT602	
029-2		643750-0	BRUSH HOLDER CAP 7-11	2	O	DT602		
030		A-81664	CARBON BRUSH CB-303A	1			83185	
030-1		B-80151	CARBON BRUSH SET CB-303A	1	O	83185	85070	
030-2		B-80379	CARBON BRUSH SET CB-303A	1	<	85070		
032		631706-5	PILOT LAMP	1				
033		650203-2	SWITCH SGEL115CD-1	1				
034		265995-6	TAPPING SCREW 4X18	5				
035		419416-2	HANDLE COVER	1				
036		265995-6	TAPPING SCREW 4X18	2				
037		687053-2	STRAIN RELIEF	1			DU529	
037-1		687052-4	STRAIN RELIEF	1	S	DU529		
038		682566-8	CORD GUARD 10	1			DU529	
038-1		682559-5	CORD GUARD 8	1	S	DU529		
039		691015-4	POWER SUPPLY CORD 0.75-2-2.5	1			DU529	
039-1		660503-2	POWER SUPPLY CORD 0.75-2-2.5	1	S	DU529		
040		345691-3	COVER	1				
041		423322-5	FILTER	1				
042		423322-5	FILTER	1				
043		345691-3	COVER	1				
A01		315113-7	MIXING BLADE	1			Y06876	
A01-1		A-43717	MIXING BLADE	1	<	Y06876		
	D10		INC. A03			Y06876		
A02-1		A-43773	SHAFT COMPLETE	1				
A03		265440-1	HEX. BOLT M8X16	1				
A04		781006-4	WRENCH 13	1				
A05		781010-3	WRENCH 19	2				
A06		A-81664	CARBON BRUSH CB-303A	2			83185	
A06-1		B-80151	CARBON BRUSH SET CB-303A	2	O	83185	85070	
A06-2		B-80379	CARBON BRUSH SET CB-303A	2	<	85070	87444	

A:UT2204(H)

Interchange  
O : Yes  
X : No  
< : the new part can be substituted for the current.  
> : the current part can be substituted for the new.  
S : Interchangeable as a set.