



TH	THAILAND
----	----------

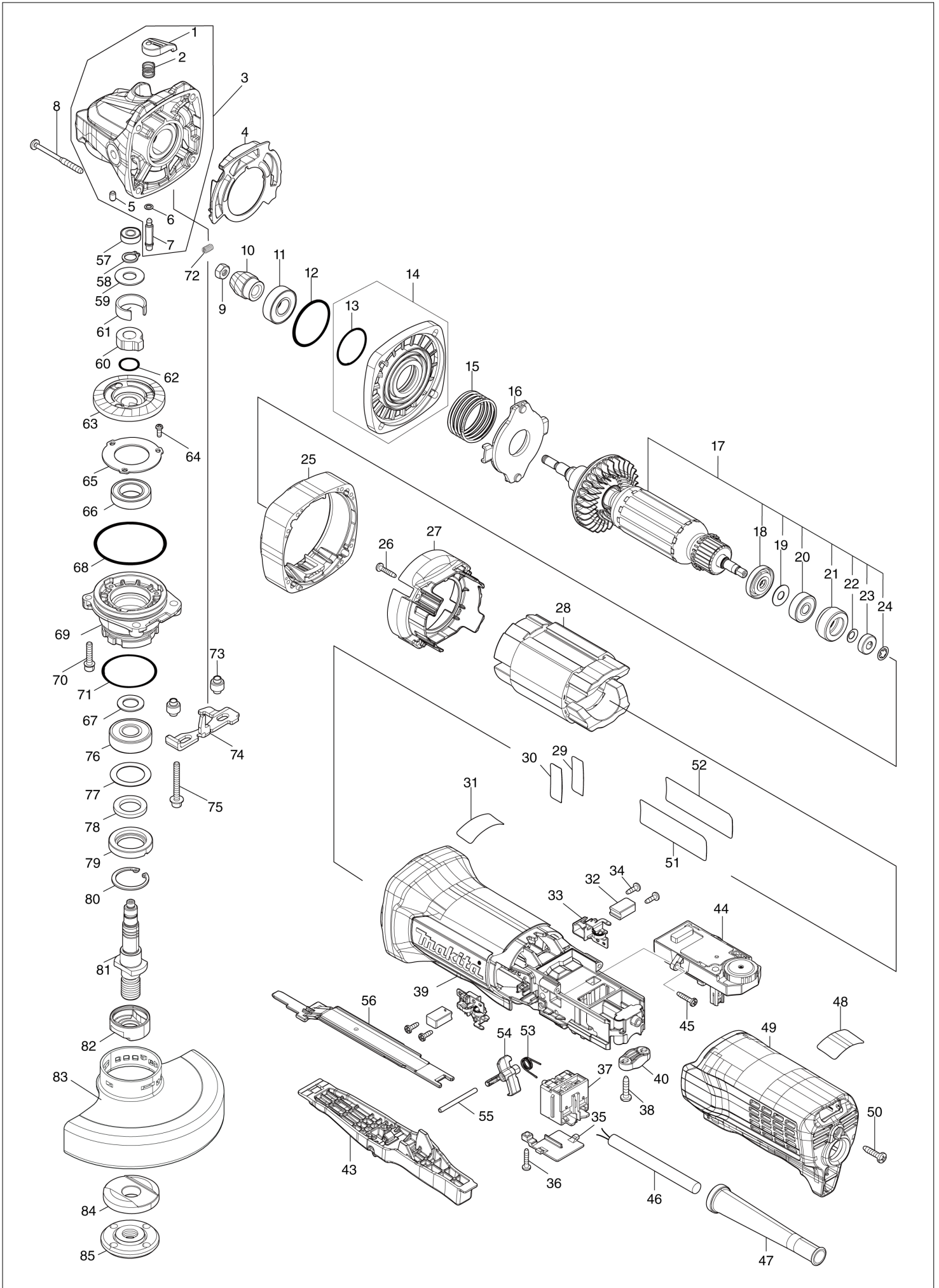
Diagram / Parts List

GA5093

125MM ANGLE GRINDER



(TH) GA5093 / 125MM ANGLE GRINDER



TH	THAILAND
----	----------

GA5093 / 125MM ANGLE GRINDER

Item	Sub	Parts No.	Parts Description	Qty	I/C	E/C No.	Close No.	Remark
001		453369-5	PIN CAP	1				
002		234057-1	COMPRESSION SPRING 8	1				
003		136770-6	GEAR HOUSING ASS'Y	1				
	D10		INC. 1,2,5-7					
004		413C06-1	DIFFUSER	1				
005		263002-9	RUBBER PIN 4	1				
006		213032-0	O RING 4	1			DU993	
006-1		213960-9	O RING 5	1	O	DU993		
007		256535-1	SHOULDER PIN 6	1				
008		266467-4	TAPPING SCREW 4X50	4				
009		252186-8	HEX. NUT M6	1				
010		227916-6	SPIRAL BEVEL GEAR 11	1				
011		211131-2	BALL BEARING 6001DDW	1				
012		422812-5	RUBBER PLATE	1				
013		213693-6	O-RING 27.5	1				
014		136771-4	GEAR HOUSING COVER ASS'Y	1				
	D10		INC. 13					
015		234230-3	COMPRESSION SPRING 33	1				
016		141515-9	BRAKE SHOE HOLDER COMPLETE	1				
017		511A43-8	ARMATURE ASS'Y 220V	1				
	D10		INC. 18-24					
018		681656-4	INSULATION WASHER	1				
019		253823-7	FLAT WASHER 7	1				
020		210027-4	BALL BEARING 627DDW	1				
021		422811-7	LABYRINTH RUBBER RING 22	1				
022		267756-0	WAVE WASHER 6	1				
023		688117-5	MAGNET SLEEVE	1				
024		259039-2	SELF LOCK 6	1				
025		413C05-3	SPACER	1				
026		266429-2	TAPPING SCREW 3X16	4				
027		413C08-7	BAFFLE PLATE B	1				
028		621A18-0	FIELD 220-240V	1				
029		807G78-4	CLEAR LABEL	1			DS071	
030		858X97-5	GA5093 SERIAL NO. LABEL	1				
031		898443-6	SJS2 MARK LABEL	1			DR882	
032		1910M3-7	CARBON BRUSH 264 SET	1				
033		644011-1	BRUSH HOLDER	2				
034		266007-8	TAPPING SCREW BIND PT 3X10	4				
035		413H00-3	SWITCH COVER	1				
036		266429-2	TAPPING SCREW 3X16	1				
037		650028-4	SWITCH FPC-2115T-0-02	1				
038		266326-2	TAPPING SCREW 4X18	2				
039		413G97-6	MOTOR HOUSING B	1				
040		687140-7	STRAIN RELIEF	1			DS354	
040-1		687123-7	STRAIN RELIEF	1	S	DS354		
043		162B63-7	SWITCH LEVER COMPLETE	1				
044		620H29-4	CONTROLLER	1				
045		266429-2	TAPPING SCREW 3X16	2				
046		691015-4	POWER SUPPLY CORD 0.75-2-2.5	1			DS354	
046-1		660465-4	POWER SUPPLY CORD 1.0-2-2.5	1	S	DS354		
047		682117-7	CORD GUARD	1			DS354	
047-1		682116-9	CORD GUARD	1	S	DS354		
048		8055D1-9	INDICATION LABEL	1				
049		413G99-2	REAR COVER C	1				
050		266326-2	TAPPING SCREW 4X18	1				
051		858X94-1	GA5093 NAME PLATE	1				
052		8055D2-7	CLEAR LABEL	1			DN056	
053		232753-5	TORSION SPRING 8	1				
054		413G96-8	ROLL LINK	1				
055		256375-7	ROD 3	1				
056		413G87-9	BRAKE LEVER	1				
057		210026-6	BALL BEARING 696ZZ	1				
058		961006-2	RETAINING RING S-10	1				
059		253180-3	FLAT WASHER 10	1				
060		327918-3	JOINT SLEEVE	1				

A:GA5093X03(H)

Interchange
O : Yes
X : No
< : the new part can be substituted for the current.
> : the current part can be substituted for the new.
S : Interchangeable as a set.

